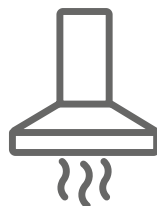


Amica

OPERATING INSTRUCTIONS
GEBRAUCHSANWEISUNG
NÁVOD K OBSLUZE
NÁVOD NA OBSLUHU
NOTICE D'UTILISATION
GEBRUIKSAANWIJZING
UPUTE ZA UPORABU
NAVODILA ZA UPORABO

EN
DE
CS
SK
FR
NL
HR
SL

**Kitchen extractor hood / kaminhaube /
kuchyňského odsavače / kuchynského odsávača
/ Hotte aspirante / Afzuigkap / Kuhinjska napa /
Kuhinjska napa**



**FH 664 301 S / FH 694 621 E /
FH 694 621 S / FH 664 621 E /
FH 664 621 S**



IO-HOO-1212/1
(05.2026)

EN- Table of contents

NOTES ON SAFETY	7
UNPACKING	10
DISPOSAL OF OLD APPLIANCE	10
OPERATION	11
COOKER HOOD CONTROLS	11
CONTROL PANEL	11
OFF-TIMER	11
INDICATION TO CLEAN THE ALUMINIUM FILTERS	12
OPERATION	13
KITCHEN HOOD CONTROLS	13
OTHER IMPORTANT INFORMATION CONCERNING THE OPERATION OF THE HOOD	14
CLEANING AND MAINTENANCE	15
MAINTENANCE	15
GREASE FILTER	15
ACTIVATED CHARCOAL FILTER	15
LIGHT	15
WARRANTY AND AFTER SALES SERVICE	16
WARRANTY	16

DE- Inhaltsverzeichnis

SICHERHEITSHINWEISE	18
AUSPACKEN	22
ENTSORGUNG VON ALTGERÄTEN	22
BEDIENUNG	23
STEUERUNG DER DUNSTABZUGSHAUBE	23
BEDIENFELD	23
TIMER (AUSSCHALTVERZÖGERUNG DER DUNSTABZUGSHAUBE)	23
ANZEIGE DER REINIGUNG DER ALUMINIUMFILTER	24
BEDIENUNG	25
STEUERUNG DER DUNSTABZUGSHAUBE	25
ANDERE WICHTIGE INFORMATIONEN ZUR BEDIENUNG DER DUNSTABZUGSHAUBE	26
REINIGUNG UND WARTUNG	26
WARTUNG	26
FETTFILTER	27
AKTIVKOHLEFILTER	27
BELEUCHTUNG	27
GARANTIE, NACHVERKAUF-SERVICE	28
GARANTIE	28

CS- Obsah

BEZPEČNOSTNÍ POKYNY	30
VYBALENÍ	33
LIKVIDACE OPOTŘEBOVANÝCH ZAŘÍZENÍ	33
OBSLUHA	34
OVLÁDÁNÍ ODSAVAČE	34
OVLÁDACÍ PANEL	34
ČASOVAČ (OPOŽDĚNÉ VYPNUTÍ DIGESTOŘE)	34
UKAZATEL ČISTĚNÍ HLINÍKOVÝCH FILTRŮ	35
OBSLUHA	36
OVLÁDÁNÍ ODSAVAČE	36
JINÉ DŮLEŽITÉ INFORMACE O OBSLUZE ODSAVAČE	37
ČISTĚNÍ A ÚDRŽBA	38
ÚDRŽBA	38
PROTITUKOVÝ FILTR	38
UHLÍKOVÝ FILTR	38
OSVĚTLENÍ	38
ZÁRUKA, POPRODEJNÍ SERVIS	39
ZÁRUKA	39

SK- Obsah

BEZPEČNOSTNÉ POKYNY POUŽÍVANIA	41
ROZBALENIE	45
LIKVIDÁCIA ZARIADENÍ	45
OBSLUHA	46
OVLÁDANIE ODSÁVAČA	46
OVLÁDACÍ PANEL	46
ČASOVAČ (ONĚSKORENÉ VYPNUTIE ODSÁVANIA)	46
UKAZOVATEĽ ČISTENIA HLINÍKOVÝCH FILTROV	47
OBSLUHA	48
OVLÁDANIE ODSÁVAČA	48
INÉ DŮLEŽITÉ INFORMÁCIE TÝKAJÚCE SA POUŽÍVANIA ODSÁVAČA	49
ČISTENIE A ÚDRŽBA	50
KONZERVÁCIA	50
PROTITUKOVÝ FILTR	50
UHLÍKOVÝ FILTER	50
OSVETLENIE	50
ZÁRUKA, POPREDAJNÝ SERVIS	51
ZÁRUKA	51

FR- Table des matières

INDICATIONS CONCERNANT LA SÉCURITÉ D'UTILISATION	53
DÉBALLAGE	57
ÉLIMINATION DES APPAREILS USAGÉS	57
EXPLOITATION	58
COMMANDE DE LA HOTTE	58
PANNEAU DE COMMANDE	58
MINUTERIE (ARRÊT DIFFÉRÉ DE LA HOTTE)	58
INDICATEUR DE NETTOYAGE DES FILTRES ALUMINIUM	59
EXPLOITATION	60
COMMANDE DE LA HOTTE	60
AUTRES INFORMATIONS IMPORTANTES RELATIVES À L'UTILISATION DE LA HOTTE	61
NETTOYAGE ET ENTRETIEN	62
ENTRETIEN	62
FILTRE À GRAISSE	62
FILTRE À CHARBON	62
ÉCLAIRAGE	62
GARANTIE, SERVICE APRÈS-VENTE	63
GARANTIE	63

NL- Inhoudsopgave

AANWIJZINGEN VOOR VEILIG GEBRUIK	65
UITPAKKEN	69
VERWIJDERING VAN GEBRUIKTE APPARATUUR	69
BEDIENING	70
BEDIENING VAN DE AFZUIGKAP	70
BEDIENINGSPANEEL	70
TIMER (UITGESTELD UITSCHAKELEN VAN DE AFZUIGKAP)	70
AANDUIDING REINIGING ALUMINIUMFILTERS	71
BEDIENING	72
BEDIENING VAN DE AFZUIGKAP	72
ANDERE BELANGRIJK INFORMATIE OVER DE BEDIENING VAN DE AFZUIGKAP	73
REINIGING EN ONDERHOUD	74
ONDERHOUD	74
ANTIVETFILTER	74
ACTIEVE KOOLFILTER	74
VERLICHTING	74
GARANTIE, SERVICE	75
GARANTIE	75

HR- Kazalo

SIGURNOSNE NAPOMENE	77
UKLANJANJE PAKIRANJA	80
ZBRINJAVANJE POTROŠENIH UREĐAJA	80
UPORABA	81
UPRAVLJANJE NAPOM	81
UPRAVLJAČKA PLOČA	81
TIMER (ODGODA ISKLJUČENJA NAPE)	81
POKAZATELJ ČIŠĆENJA ALUMINIJSKIH FILTARA	82
UPORABA	83
UPRAVLJANJE NAPOM	83
OSTALE VAŽNE INFORMACIJE O UPORABI NAPE	84
ČIŠĆENJE I ODRŽAVANJE	85
ODRŽAVANJE	85
FILTER PROTIV MASNOĆE	85
UGLJENI FILTER	85
RASVJETA	85
JAMSTVO, POSLIJEPRODAJNE AKTIVNOSTI	86
JAMSTVO	86

SL- Sadržaj

NAVODILA ZA ZAGOTAVLJANJE VARNOSTI UPORABE	88
RAZPAKIRANJE	91
ODSTRANJEVANJE IZRABLJENIH NAPRAV	91
UPORABA	92
UPRAVLJANJE S KUHINJSKO NAPO	92
PANEL ZA UPRAVLJANJE	92
ŠTOPARICA (ZAKASNJENA IZKLJUČITEV NAPE)	92
INDIKATOR ČIŠĆENJA ALUMINIJEVIH FILTROV	93
UPORABA	94
UPRAVLJANJE S KUHINJSKO NAPO	94
DRUGE POMEMBNE INFORMACIJE GLEDE NAVODIL ZA UPORABO NAPE	95
ČIŠĆENJE IN VZDRŽEVANJE	96
VZDRŽEVANJE	96
MAŠČOBNI FILTER	96
OGLENI FILTER	96
OSVETLITEV	96
GARANCIJA, POPRODAJNE STORITVE	97
GARANCIJA	97

Dear customer,

From now on, your daily housework will be easier than ever before. Your appliance **Amica** is exceptionally easy to use and extremely efficient. After reading these Operating Instructions, operating the appliance will be easy.

Before being packaged and leaving the manufacturer, the appliance was thoroughly checked with regard to safety and functionality.

Before using the appliance, please carefully read these Operating Instructions. By following these instructions carefully you will be able to avoid any problems in using the appliance. It is important to keep these Operating Instructions and store them in a safe place so that they can be consulted at any time.

Follow these instructions carefully in order to avoid possible accidents.

Sincerely,

Amica

NOTES ON SAFETY

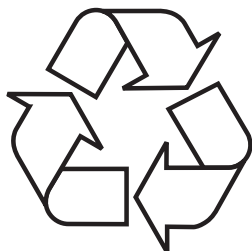
- Before using the appliance, please carefully read this manual!
- The appliance is designed for household use only.
- The manufacturer reserves the right to introduce changes, which do not affect operation of the appliance.
- The manufacturer shall not be liable for any damage or fire caused by the appliance resulting from failure to follow instructions in this manual.
- Cooker hood is designed to remove cooking odours. Do not use cooker hood for other purposes.
- Connect the cooker hood operating in extraction mode to a suitable ventilation duct (do NOT connect the cooker to smoke or flue gas ducts, which are in use). It requires installation of the air extraction duct to the outside. The length of the duct (usually a pipe of Ø 120 or 150 mm) should not be longer than 4-5 m. An air extraction duct is also required for telescopic and furniture hoods in absorption mode.
- Cooker hood operating in air recirculation mode requires the installation of an activated charcoal filter. In this case, installing an extractor duct is not required, however it is recommended to install an air guide vane (Mainly in chimney cooker hoods).
- The cooker hood features independent lighting and exhaust fan that can be operated at one of several speeds.
- Depending on the type, the hood is designed to be permanently attached to a vertical wall over a gas or electric stove (chimney and universal hoods); on the ceiling over a gas or electric stove (island hoods); on the vertical built in furniture over a gas or electric stove (telescopic and built-in hoods). Before installing, make sure that the wall/ceiling structure is strong enough to suspend the hood. Some hoods are very heavy.

- The installation height of the appliance above the electric and gas hob is specified in Figure 1 and in the product sheet (technical specification of the appliance).
- Do not leave an open flame under the hood. When the pots are removed from the burner, set the minimum flame. Always make sure that the flame does not extend outside the pot, because it causes unwanted loss of energy and a dangerous concentration of heat.
- When cooking on fat, supervise the pans constantly, because overheated fat can ignite.
- Unplug the appliance before any cleaning, replacing the filter or repair work.
- Cooker hood grease filter should be cleaned at least once a month, because the filter saturated with fat is flammable.
- Ensure adequate ventilation (air flow) if other equipment such as liquid fuel stoves or heaters are operated in the room in addition the cooker hood. When the cooker hood is simultaneously operated with burning appliances requiring adequate fresh air from the room to work properly, their safe operation is possible if under pressure around these appliances is a maximum of 0.004 mbar (this does not apply when the cooker hood is used as an odour filter)
- Do not lean on the hood.
- The hood should be cleaned regularly both inside and out (AT LEAST ONCE A MONTH, following the indications concerning maintenance provided in this manual)..Failure to adhere to the rules concerning cleaning the hood and replacing filters results in a fire risk.
- If the power cord is damaged it should be replaced by a specialised service centre.
- Ensure that it is possible to disconnect the appliance from the mains by removing the plug or switching off the bi-polar switch.
- This appliance is not intended for use by persons (including children) with physical, mental or sensory handicaps, or by persons inexperienced or unfamiliar with the appliance, unless under su-

pervision or in accordance with the instructions as communicated to them by persons responsible for their safety.

- Particular attention should be paid not to allow unaccompanied children to use the appliance.
- Make sure voltage indicated on the nameplate corresponds to the local mains supply voltage.
- Before use, extend and straighten the power cord.
- Packaging materials (bags, polyethylene, polystyrene, etc.) should be kept away from children during unpacking.
- Before connecting the hood to the mains power supply always check that the power cord is properly installed and is not trapped by the appliance. Do not connect the appliance to the mains until assembly is complete.
- Do not operate your kitchen hood without the aluminium grease filters.
- It is strictly forbidden to cook dishes under on an open flame (flambé) under your kitchen hood.
- Always strictly adhere to regulations issued by the competent local authorities regarding the technical and safety requirements for fume extraction.
- Failing to tighten bolts and fasteners in accordance with these instructions may endanger life and health.
- Hanging kitchen hoods operate only in air circulation / odour absorber mode
- **WARNING!** Failure to install the screws or fixing device in accordance with these instructions may result in electrical hazards.
- This appliance can be used by children aged 8 years and older or by persons with physical, mental or sensory handicaps, or by those who are inexperienced or unfamiliar with the appliance, provided they are supervised or have been instructed how to safely use the appliance and are familiar with risks associated with the use of the appliance. Ensure that children do not play with the appliance. Cleaning and maintenance of the appliance should not be performed by children unless they are 8 years or older and are supervised by a competent person.

UNPACKING

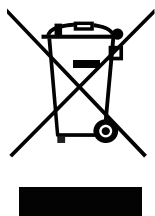


During transportation, protective packaging was used to protect the appliance against any damage. After unpacking, please dispose of all elements of packaging in a way that will not cause damage to the environment.

All materials used for packaging the appliance are environmentally friendly; they are 100% recyclable and are marked with the appropriate symbol.

Important! Packaging materials (bags, polyethylene, polystyrene, etc.) should be kept away from children during unpacking.

DISPOSAL OF OLD APPLIANCE



In accordance with European Directive 2012/19/EU and local legislation regarding used electrical and electronic goods, this appliance is marked with the symbol of the crossed-out waste container. This marking indicates that the appliance must not be disposed of together with other household waste

after it has been used.

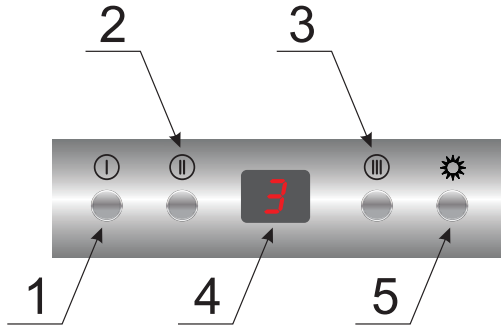
The user is obliged to hand it over to waste collection centre collecting used electrical and electronic goods. The collectors, including local collection points, shops and local authority departments provide recycling schemes.

Proper handling of used electrical and electronic goods helps avoid environmental and health hazards resulting from the presence of dangerous components and the inappropriate storage and processing of such goods.

OPERATION

Cooker hood controls

Control Panel is shown in Figure 4, for reference it is also shown below:



Control Panel

To activate the selected function, pull out the retractable control panel and press one of the following buttons:

- 1- Low speed (1). Use this speed when cooking a little food with hardly any fumes.
- 2- Medium speed (2). Use this speed when cooking multiple dishes at the same time with moderate amount of fumes.
- 3- High speed (3). Use this speed when frying or grilling, with large amount of fumes.
- 4- Fan speed display
- 5- Lighting on/off


Press button corresponding to the selected speed to turn off the kitchen hood. When you push in the retractable control panel the appliance and its lighting will turn off.*




Off-Timer


Use Off-Timer to turn off the hood after a specified time. Use Off-Timer to filter the fumes out of the air after cooking. The delay time is about 15 minutes. To enable Off-Timer, press and hold for 3 seconds the button corresponding to the currently selected fan speed. The number will flash on the display. Flashing indicates that the Off-Timer has been enabled. To cancel the Off-Timer at any time, push the retractable panel back in. The appliance will turn off. To turn on the appliance, set the desired fan speed.




* Depending on model


Indication to clean the aluminium filters

If the  indication appears on the display, you need to clean the aluminium filters.

Once the filters are cleaned you can clear the  indication. To do this, touch and hold  for approximately 3 seconds. The  symbol will be shown on the display and the appliance will operate normally.

Note: To clear the  indication, the appliance must not operate.

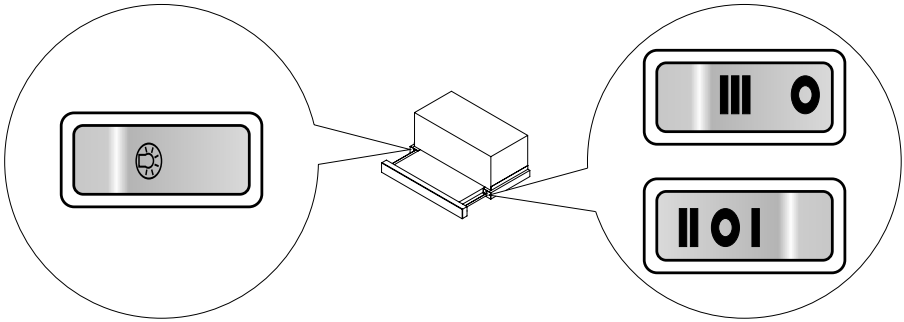
If you want to continue to use the appliance while the  indication is not cleared, touch  and fan speed will be displayed temporarily and then  will be displayed again. The fan will continue to operate.

Note: The  indication will be displayed after approximately 60 hours of fan operation.

OPERATION

Kitchen hood controls


Control Panel is shown in Figure 4, for reference it is also shown below:



The control panel is equipped with buttons (rocker switch). You can use the buttons once the retractable front panel is ejected. Telescopic kitchen hood is equipped with a limit switch. Every time, when you eject the retractable front panel, the hood fan will start at the previously set speed.

Available speeds (when retractable front panel ejected):

- I- Low speed. Use this speed when cooking a little food with hardly any fumes.
- II- Medium speed. Use this speed when cooking multiple dishes at the same time with moderate amount of fumes.
- III- High speed. Use this speed when frying or grilling, with large amount of fumes.
- The hood off (ejecting the retractable front panel will not start the fan).

Press  to turn the lighting on/off. The lighting operates independently of hood fan.

According to the model limit switch also turns off the lights when you retract the front panel.

Other important information concerning the operation of the hood

Operation in air circulation / odour filter mode. In this mode, the filtered air returns to the room through the outlets. Install activated charcoal filter in this setting. It is recommended to install the air guide (available depending on the model, mainly in chimney cooker hoods).

Air extraction operation: When cooker hood operates in extraction mode, air is discharged outside through an extraction duct. Remove activated charcoal filter in this setting. The cooker hood is connected to the air outlet opening using a rigid or flexible extraction duct with a diameter of 150 or 120 mm, and the appropriate clamps, which must be purchased at a hardware store. The appliance should be installed by a qualified installer.

Fan speed: Lowest and medium fan speed is used in normal conditions and less intense odours, while the highest speed is used only when cooking odours are very intense, such as during frying or grilling.

Note (applies to universal hoods only): Due to the design of universal hoods you need to manually change the mode of operation. See Figure 8 for instructions on how to change the mode.

Note (only applies to telescopic and in-built kitchen hoods): Furniture and telescopic cooker hoods operating in air recirculation mode require installation of the exhaust duct. The other end of the duct should be directed to the room as it will discharge filtered air.

Note: Hanging kitchen hoods operate only in air circulation / odour absorber mode

CLEANING AND MAINTENANCE

Maintenance

Regular maintenance and cleaning of the appliance will ensure trouble-free operation of the cooker hood and extend its life. Especially make sure that the grease filter and activated charcoal filter are replaced according to manufacturer's recommendations.

- Do not use a soaked cloth, sponge, or water jet.
- Do not use solvents or alcohol, as they may tarnish lacquered surfaces.
- Do not use caustic substances, especially for cleaning stainless steel.
- Do not use a rough or abrasive cloth.
- It is recommend to use a damp cloth and a neutral detergent.

Note: After several washes in the dishwasher, the colour of the aluminium filter may change. The change of colour does not indicate improprieties or the necessity to change it.

Grease filter

For normal hood operation, grease filter should be cleaned every month in the dishwasher or by hand using a mild detergent or liquid soap.

Dismantling of grease filter is shown on Figure 5.

Acrylic filter is used in some models. This filter should be replaced at least once every 2 months or more frequently if the appliance is used intensively.

Activated charcoal filter

Charcoal filter is used only when the cooker hood is not connected to the ventilation duct. Activated charcoal filter can absorb odours until saturated. Charcoal filter is not suitable for washing or regeneration and should be replaced at least once every 3-4 months or more frequently if the appliance is used intensively.

The carbon filter model and disassembly are shown in Figure 6.

Light

Use incandescent / halogen / LED modules of the same specification as those factory-installed in the appliance. See Figure 7 for details how to replace lights. If there is no such figure in this manual, please contact authorised service to replace the lighting module.

Sehr geehrter Kunde,

Von heute an werden Ihre alltäglichen Pflichten einfacher denn je. Dieses Gerät **Amica** ist eine Verbindung einer außergewöhnlich leichten Bedienung und einer perfekten Effizienz. Nachdem Sie diese Bedienungsanleitung gelesen haben, ist die Bedienung des Gerätes kein Problem mehr.

Bevor das Gerät das Herstellerwerk verlassen konnte, wurde es vor dem Verpacken gründlich auf dessen Sicherheit und Funktionalitäten an Prüfständen überprüft.

Bevor das Gerät in Betrieb genommen wird, lesen Sie bitte die Bedienungsanleitung aufmerksam durch. Befolgen Sie die darin stehenden Hinweise, vermeiden Sie Bedienfehler. Diese Bedienungsanleitung ist so aufzubewahren, dass sie jederzeit bei der Hand ist.

Zur Vermeidung möglicher Unfälle befolgen Sie die in der Bedienungsanleitung stehenden Hinweise genau.

Mit freundlichen Grüßen

Amica

SICHERHEITSHINWEISE

- Bitte lesen Sie diese Anleitung vor der Installation des Kaminhaube durch!
- Das Gerät ist ausschließlich für den Einsatz im Haushalt bestimmt.
- Der Hersteller behält sich das Recht vor, Änderungen vorzunehmen, die die Gerätefunktion nicht beeinträchtigen.
- Der Hersteller übernimmt keine Haftung für eventuelle Schäden oder Brände, die durch das Gerät verursacht wurden und sich aus der Nichtbeachtung der in dieser Gebrauchsanweisung angegebenen Hinweise ergeben.
- Die Dunstabzugshaube dient zur Abführung von Gerüchen und Dämpfen. Verwenden Sie die Dunstabzugshaube nicht zu anderen Zwecken.
- Beim Abluftbetrieb muss die Dunstabzugshaube an einen entsprechenden Lüftungskanal angeschlossen werden (nicht an betriebsaktive Kamin-, Rauch- oder Abgaskanäle anschließen!). Es ist dabei erforderlich, eine Leitung zur Abführung der Abluft nach außen zu installieren. Diese Abluftleitung (meistens ein Rohr mit einem Durchmesser von Ø 120 oder 150 mm) sollte maximal 4-5 m lang sein. Die Abluftleitung ist auch bei Teleskop- und Möbeldunstabzugshauben bei Umluftbetrieb erforderlich.
- Beim Umluftbetrieb muss der Aktivkohlefilter installiert werden. In diesem Fall ist es nicht mehr erforderlich, die Leitung zur Abführung der Abluft zu installieren. Zu empfehlen ist dagegen die Montage des Umlenkbleds für die Abluft (nur bei Kaminabzugshauben).
- Die Dunstabzugshaube verfügt über eine unabhängige Beleuchtung sowie einen Abluftventilator mit der Möglichkeit der Einstellung einer der mehreren Leistungsstufen.

- Je nach der Version des Gerätes ist die Dunstabzugshaube für eine dauerhafte Anbringung an einer vertikalen Wand über einem Gas- oder Elektroherd (Kaminabzugshauben und Universalabzugshauben); unter der Decke über einem Gas- oder Elektroherd (Inselabzugshauben); an einer vertikalen Wand in einem Möbelstück über einem Gas- oder Elektroherd (Teleskop- und Möbeldunstabzugshauben) bestimmt. Vergewissern Sie sich vor der Montage, ob die Wand- oder Deckenkonstruktion für die Montage der Dunstabzugshaube geeignet ist und standhalten kann. Manche Modelle der Dunstabzugshauben sind sehr schwer.
- Die Montagehöhe des Geräts über der Elektro- und Gaskocherplatte ist in Abbildung 1 sowie im Produktdatenblatt (technische Spezifikation des Geräts) angegeben.
- Vermeiden Sie offene Flammen unter der Dunstabzugshaube. Wenn Sie das Kochgeschirr von der Gaskochstelle nehmen, stellen Sie die Flamme zuvor auf Minimum. Sorgen Sie immer dafür, dass die Flamme keinesfalls über das Kochgeschirr hinausragt, sonst kommt es zu unerwünschten Energieverlusten und zur gefährlichen Konzentration von Wärme.
- Die Zubereitung der Gerichte mit Fetten muss stets unter Aufsicht erfolgen, da das überhitzte Fett sich schnell selbst entzünden kann.
- Vor jeder Reinigung, Filterwechsel oder vor Durchführung von Reparaturen trennen Sie das Gerät von der Stromversorgung, indem Sie den Stecker aus der Steckdose ziehen.
- Der Fettfilter der Dunstabzugshaube ist mindestens einmal monatlich zu reinigen, denn er ist leicht entzündlich, wenn er überfettet ist.
- Sollten im Raum gleichzeitig sowohl die Abzugshaube als andere nicht mit Strom gespeiste Geräte (z.B. Ofen für flüssige Brennstoffe, Durchlauferhitzer, Thermen) betrieben werden, muss für eine ausreichende Belüftung des Raumes

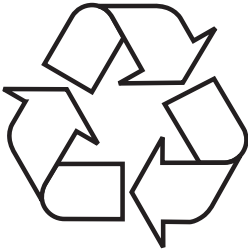
(Luftzufuhr) gesorgt werden. Ein sicherer Betrieb der Abzugshaube ist nur dann möglich, wenn bei gleichzeitigem Betrieb der Dunstabzugshaube und anderer, luftverbrauchender Geräte, der Unterdruck in ihrer direkten Nähe den Wert von max. 0,004 mB erreicht (dieser Wert gilt nicht bei Umluftbetrieb der Dunstabzugshaube).

- Die Dunstabzugshaube darf nicht als Stützfläche für Personen, die sich gerade in der Küche befinden, genutzt werden.
- Die Dunstabzugshaube sollte sowohl von außen als auch von innen oft (MINDESTENS EINMAL PRO MONAT, unter Beachtung der in dieser Gebrauchsanweisung angegebenen Hinweise zur Wartung des Gerätes) gereinigt werden. Bei Nichtbeachtung der Grundsätze, die die Reinigung der Dunstabzugshaube und den Filterwechsel betreffen, entsteht Brandgefahr.
- Wird das Netzkabel beschädigt, muss es in einer Fachwerkstatt neu besorgt werden.
- Die Möglichkeit der Trennung des Gerätes vom Stromnetz durch Ziehen des Steckers aus der Steckdose oder durch Ausschalten des bipolaren Schalters muss gewährleistet werden.
- Dieses Gerät darf nicht von Personen (einschließlich Kindern) bedient werden, die unter geistigen oder körperlichen Behinderungen leiden oder die nicht über ausreichende Erfahrungen in der Bedienung solcher Geräte verfügen. Eine Ausnahme kann gemacht werden, wenn solche Personen unter Aufsicht eines Verantwortlichen mit dem Gerät arbeiten und/oder gründlich in die Bedienung eingewiesen wurden.
- Es ist besonders darauf zu achten, dass die Kinder ohne Aufsicht das Gerät nicht nutzen.
- Prüfen Sie, ob die auf Typenschild gemachten Angaben zur Spannung den örtlichen Parametern der Stromversorgung entsprechen.
- Das Netzkabel vor der Montage ausrollen und begradigen.
- Die Verpackungsmaterialien (Polyethylenbeutel,

Styroporstücke usw.) sind beim Auspacken außer Kinderreichweite zu halten.

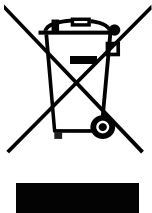
- Vor Anschluss der Dunstabzugshaube ans Stromnetz muss immer kontrolliert werden, ob das Netzkabel ordnungsmäßig installiert und während der Montagearbeiten durch die Dunstabzugshaube NICHT eingeklemmt wurde. Vor der Beendigung der Montage darf das Gerät ans Stromnetz nicht angeschlossen werden.
- Es ist verboten, die Dunstabzugshauben ohne installierte Aluminiumfettfilter zu nutzen.
- Es ist streng verboten, Gerichte unter Einsatz offenen Feuers (Flambieren) unter der Dunstabzugshaube zuzubereiten.
- Hinsichtlich der erforderlichen technischen und Sicherheitsmittel im Bereich der Ableitung von Abgasen sind die von den zuständigen Behörden erlassenen Vorschriften streng einzuhalten.
- Wenn die Schrauben und Befestigungselemente entsprechend den vorliegenden Hinweisen und Anleitungen nicht nachgezogen werden, kann dies eine Gefahr für Gesundheit und Leben darstellen.
- Die frei hängenden Dunstabzugshauben arbeiten nur im Umluftbetrieb.
- **ACHTUNG!** Schrauben und Befestigungselemente, die nicht in Übereinstimmung mit diesen Hinweisen sind, können zur elektrischen Gefährdung führen.
- Das Gerät kann von Kindern ab 8 Jahren und Personen mit eingeschränkten physischen, sensorischen oder geistigen Fähigkeiten oder mit mangelnder Erfahrung und Unkenntnis verwendet werden, wenn sie in die sichere Verwendung des Geräts eingewiesen wurden und sie die mit ihm verbundenen Gefahren verstanden haben. Kinder dürfen nicht mit dem Gerät spielen. Die Reinigung und Wartung des Gerätes dürfen von Kindern nicht erfolgen, es sei denn, dass sie das 8. Lebensjahr vollendet haben und von einer zuständigen Person beaufsichtigt wurden.

AUSPACKEN



Das Gerät wird gegen Transportschäden geschützt. Nach dem Auspacken sind die Verpackungsmaterialien so zu entsorgen, dass dadurch kein Risiko für die Umwelt entsteht. Alle Materialien, die zur Verpackung verwendet werden, sind umweltverträglich, können hundertprozentig wiederverwertet werden und sind mit entsprechendem Symbol gekennzeichnet. Hinweis! Die Verpackungsmaterialien (Polyethylenbeutel, Styroporstücke usw.) sind beim Auspacken außer Kinderreichweite zu halten.

ENTSORGUNG VON ALTGERÄTEN

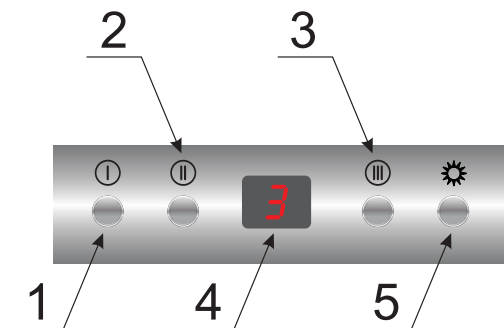


Dieses Gerät wurde gemäß der Europäischen Richtlinie 2012/19/EG. Eine solche Kennzeichnung informiert darüber, dass dieses Gerät nach dem Ablauf des Nutzungszeitraumes nicht zusammen mit anderen Hausabfällen gelagert werden darf. Der Benutzer ist verpflichtet, das Gerät an einem Sammelpunkt für verschlissene elektrische und elektronische Geräte abzugeben. Die die Sammlung durchführenden Einheiten, darunter lokale Sammelpunkte, Geschäfte und gemeindeeigene Einheiten, bilden ein entsprechendes System, welches die Abgabe dieses Gerätes ermöglicht. Die richtige Vorgehensweise mit Elektro- und Elektronikschrott trägt zur Verhinderung schädlicher Folgen für die menschliche Gesundheit und die natürliche Umwelt bei, die aus der Anwesenheit von Schadstoffen sowie einer falschen Lagerung und Weiterverarbeitung solcher Materialien folgen.

BEDIENUNG

Steuerung der Dunstabzugshaube

Das Bedienfeld der Dunstabzugshaube wurde auf der Abbildung Nr. 4 dargestellt und zur Erinnerung gibt es dieses auch nachstehend:



Bedienfeld

Um die gewünschte Funktion einzuschalten, ziehen Sie das Ausziehpanel der Dunstabzugshaube heraus und drücken Sie einen der folgenden Knöpfe:

- 1- Niedrigste Geschwindigkeit (1). Wählen Sie diese Stufe, wenn nur wenig Dämpfe entstehen.
- 2- Mittlere Geschwindigkeit (2). Wählen Sie diese Stufe bei mittlerer Dampfentstehung, zum Beispiel, wenn Sie mehrere Gerichte gleichzeitig kochen.
- 3- Höchste Geschwindigkeit (3). Wählen Sie diese Stufe bei starker Dampfentstehung, zum Beispiel beim Braten oder Grillen.
- 4- Drehzahlanzeige.
- 5- Ein- und Ausschalten der Beleuchtung.

Um die Dunstabzugshaube auszuschalten, drücken Sie die Taste der aktiven Fläche. Durch das Hineinschieben des Ausziehpanels werden sowohl der Motor der Dunstabzugshaube als auch die Beleuchtung ausgeschaltet*.





Timer (Ausschaltverzögerung der Dunstabzugshaube)

Diese Funktion dient zur Ausschaltverzögerung des Motors der Dunstabzugshaube. Verwenden Sie diese Funktion nach dem Kochende, um die Luft im Raum von den Dämpfen zu reinigen. Die Ausschaltverzögerung dauert circa 15 Minuten. Um die Verzögerungsfunktion einzuschalten, drücken Sie, während die Dunstabzugshaube mit einer beliebigen Geschwindigkeit in Betrieb ist, für mindestens 3 Sekunden die Taste für




* Je nach Modell


die aktive Geschwindigkeit. Die Ziffer in der Anzeige beginnt zu blinken. Das Blinken deutet auf eine ordnungsgemäße Einstellung des Zeitpunktes für die Ausschaltverzögerung hin. Um die Verzögerungsfunktion früher auszuschalten, schieben Sie das Ausziehpanel hinein. Dies steht dem Ausschalten des Gerätes gleich. Wenn Sie den Betrieb fortführen wollen, stellen Sie erneut die entsprechende Stufe ein.

Anzeige der Reinigung der Aluminiumfilter

Wird im Display der Dunstabzugshaube das Symbol  angezeigt, bedeutet dies, daß der Aluminiumfilter gereinigt werden muß. Schalten Sie nach der Reinigung der Filter die Mitteilungsanzeige  aus. Berühren und halten Sie dazu für etwa 3 Sekunden das Symbol . Danach wird das Symbol  angezeigt und das Gerät kann wie gewöhnlich genutzt werden.

Hinweis: Um die Mitteilungsanzeige  ausschalten zu können, darf die Dunstabzugshaube nicht in Betrieb sein.

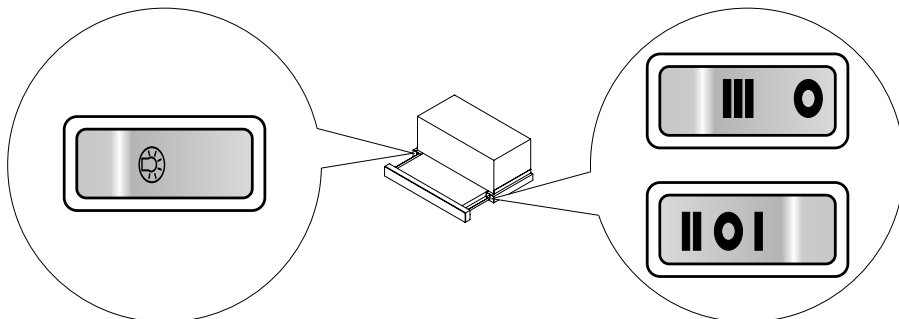
Wenn Sie die Dunstabzugshaube benutzen möchten, ohne das Symbol  zu löschen, berühren Sie das als  gekennzeichnete Symbol, daraufhin erscheint in der Anzeige für kurze Zeit das Symbol der Geschwindigkeit, mit der die Dunstabzugshaube arbeitet, und dann wieder das Symbol . Der Motor der Dunstabzugshaube bleibt in Betrieb.

Hinweis: Das Symbol  erscheint nach circa 60 Betriebsstunden des Motors.

BEDIENUNG

Steuerung der Dunstabzugshaube

Das Bedienfeld der Dunstabzugshaube ist nachfolgend dargestellt. Siehe auch Abb. 4 auf den hinteren Seiten.:




Das Bedienfeld ist mit Kippschalter (Wiege) ausgestattet. Sie sind nach dem Ausziehen der Teleskopfront sichtbar.

Die Teleskophaube ist mit einem Endschalter ausgestattet. Jedes Mal, wenn die Teleskopfront ausgezogen wird, beginnt der Betrieb der Dunstabzugshaube auf dem zuvor eingestellten Stufe.

Zur Auswahl stehen drei Stufen (bei ausgezoogener Front):

- I- Niedrigste Stufe. Wählen Sie diese Stufe, wenn nur wenig Dämpfe entstehen.
- II- Mittlere Stufe. Wählen Sie diese Stufe bei mittlerer Dampfentstehung, zum Beispiel, wenn Sie mehrere Gerichte gleichzeitig kochen.
- III- Höchste Stufe. Wählen Sie diese Stufe bei starker Dampfbildung, zum Beispiel beim Braten oder Grillen.
- Dunstabzugshaube ausgeschaltet (Durch Ausziehen der Frontblende wird der Motor der Dunstabzugshaube nicht gestartet).

Die mit  gekennzeichnete Taste dient zum Ein- und Ausschalten der Beleuchtung. Die Beleuchtung der Dunstabzugshaube funktioniert unabhängig davon, ob der Motor läuft.

Modell abhängig mit dem Endschalter wird auch das Licht ausgeschaltet, wenn die Frontalblende eingeschoben wird.

Andere wichtige Informationen zur Bedienung der Dunstabzugshaube

Umluftbetrieb: In dieser Betriebsoption kehrt die gefilterte Luft über die daran angepassten Sonderöffnungen in den Raum zurück. Bei dieser Einstellung ist ein Aktivkohlefilter zu installieren und es ist empfehlenswert, das Umlenkblech für die Abluft zu montieren (verfügbar je nach dem Modell, vor allem in den Kamindunstabzugshauben vorhanden).

Abluftbetrieb: Bei Abluftbetrieb der Dunstabzugshaube wird die Luft über eine spezielle Leitung hinausgeleitet. Vor der Inbetriebnahme dieses Modus muss der eventuelle Aktivkohlefilter aus dem Gerät entfernt werden. Die Dunstabzugshaube ist an die Lüftungsöffnung mit Hilfe einer steifen oder elastischen Leitung mit einem Durchmesser von 150 mm oder 120 mm und mittels entsprechender Klemmen angeschlossen, die in den Fachgeschäften mit Installationszubehör erhältlich sind. Mit den Anschlussarbeiten ist ein qualifizierter Installateur zu beauftragen.

Geschwindigkeit der Lüfters: Unter normalen Bedingungen und bei geringer Konzentration der Dämpfe wird geringe und mittlere Geschwindigkeit empfohlen. Die höchste Geschwindigkeit sollte dagegen nur bei hoher Konzentration der Dämpfe, z.B. beim Braten oder Grillen, genutzt werden.

Hinweis (dies gilt nur für Universal-Dunstabzugshauben): die Konstruktion der Universal-Dunstabzugshauben erfordert einen manuellen Wechsel der Betriebsart der Dunstabzugshaube. Die Art, wie die Betriebsart gewechselt wird, ist der Abbildung Nr. 8 zu entnehmen.

Hinweis (dies gilt nur für Möbel- und Teleskopabzugshauben): Beim Umluftbetrieb muss im Falle der Möbel- und Teleskopabzugshauben ein Rohr zur Abführung der Abluft montiert werden. Das andere Rohrende ist in den Raum zu richten, dadurch erfolgt die Abführung der gefilterten Luft.

Hinweis: Die frei hängenden Dunstabzugshauben arbeiten nur im Umluftbetrieb.

REINIGUNG UND WARTUNG

Wartung

Durch eine regelmäßige Wartung und Reinigung wird ein guter und störungsfreier Betrieb sowie eine optimale Lebensdauer des Gerätes gewährleistet. Bei der Reinigung und beim Wechsel der Fett- und Kohleaktivfilter sind insbesondere die Hinweise der jeweiligen Hersteller zu beachten.

- Verwenden Sie weder nasse Reinigungstücher noch Schwämme noch Wasserstrahl.

- Verwenden Sie weder Lösemittel noch Alkohol, weil die lackierten Oberflächen dadurch matt werden können.
- Verwenden Sie keine ätzenden Stoffe, insbesondere bei der Reinigung von Oberflächen aus nichtrostendem Stahl.
- Verwenden Sie keine harten, rauen Reinigungstücher
- Zur Reinigung wird feuchtes Tuch sowie neutrale Reinigungsmittel empfohlen.

Hinweis: Nachdem der Aluminiumfilter mehrmals im Geschirrspüler gespült worden ist, kann sich der Farbton des Filters ändern. Die Änderung des Farbtons ist kein Hinweis darauf, dass es unrichtig ist und der Filter gewechselt werden muss.

Fettfilter

Der Aluminiumfettfilter sollte bei einem üblichen Betrieb der Dunstabzugshaube jeden Monat im Geschirrspüler oder per Hand mit einem feinen Reinigungsmittel oder flüssiger Seife gereinigt werden.

Die Demontage des Aluminiumfettfilters wurde in der Abbildung 5 gezeigt.

In manchen Modellen wurde ein Akrylfilter eingesetzt. Dieser ist mindestens alle zwei Monate oder häufiger bei einem durchaus intensiven Gebrauch zu wechseln.

Aktivkohlefilter

Der Kohlefilter wird nur dann eingesetzt, wenn die Dunstabzugshaube an die Lüftungsleitung nicht angeschlossen ist. Der Aktivkohlefilter kann die Gerüche bis zur vollen Sättigung des Filters aufnehmen. Der Aktivkohlefilter ist weder fürs Waschen noch für die Regeneration geeignet und sollte mindestens einmal pro 3-4 Monate oder im Falle einer intensiven Beanspruchung öfter gewechselt werden.

Das Modell des Kohlefilters und die Demontage sind in Abbildung 6 dargestellt.

Beleuchtung

Setzen Sie Leuchten / Halogenleuchten / Diodenmodule mit denselben Parametern, wie sie im Gerät werkseitig montiert wurden, ein. Der Wechsel der Beleuchtung wurde in der Abbildung 7 gezeigt. Wenn die Abbildung in dieser Anleitung nicht vorhanden ist, darf das Beleuchtungsmodul nur durch eine autorisierte Servicestelle durchgeführt werden.

Vážený kliente,

počínaje dnešním dnem jsou každodenní povinnosti jednodušší než kdykoli jindy. Zařízení **Amica** je spojením výjimečně snadné obsluhy a vynikající efektivity. Po přečtení návodu nebudete mít problém s obsluhou.

Zařízení, které opustilo továrnu, bylo důkladně zkontrolováno před zabalením z hlediska bezpečnosti a funkčnosti na kontrolních stanovištích.

Před uvedením zařízení do provozu si pozorně přečtěte návod k obsluze. Dodržováním pokynů uvedených v návodu předejdete nesprávnému používání. Návod si ponechte a uschovejte tak, abyste jej měli vždy při ruce.

Dodržujte přesně návod k obsluze, abyste zabránili nešťastným událostem.

S úctou

Amica

BEZPEČNOSTNÍ POKYNY

- Odsavač používejte teprve po přečtení tohoto návodu!
- Zařízení je určeno výlučně pro domácí použití.
- Výrobce si vyhrazuje možnost provádění změn, které nemají vliv na funkčnost zařízení.
- Výrobce nenese žádnou odpovědnost za eventuelní škody nebo požár způsobené zařízením, vyplývající z nedodržování pokynů uvedených v tomto návodu.
- Kuchyňský odsavač slouží k odstraňování kuchyňských výparů. Nepoužívejte jej pro jiné účely.
- Odsavač pracující v odtahovém režimu napojte na příslušný ventilační kanál (nenapojujte na komínové, kouřové nebo spalinové kanály, které jsou v provozu). Odsavač musí mít namontované potrubí odvádějící vzduch ven. Délka potrubí (nejčastěji roura Ø 120 nebo 150 mm) nesmí být delší než 4–5 m. Potrubí odvádějící vzduch se rovněž vyžaduje u teleskopických a nábytkových odsavačů v režimu pohlcovače.
- Odsavač pracující jako pohlcovač vyžaduje filtr s aktivním uhlím. V tomto případě není nutná montáž potrubí odvádějícího vzduch ven, zato se doporučuje namontovat zpětnou klapku vzduchu (pouze komínové odsavače).
- Odsavač má nezávislé osvětlení a odtahový ventilátor s možností nastavení jedné z několika rychlostí otáček.
- V závislosti na verzi zařízení je odsavač určen pro trvalé připevnění na svislou stěnu nad plynový nebo elektrický sporák (komínové a univerzální odsavače); na strop nad plynový nebo elektrický sporák (ostrůvkové odsavače); na svislou stěnu v kuchyňské lince nad plynový nebo elektrický sporák (teleskopické a vestavné odsavače). Před montáží se ujistěte, že konstrukce stěny/stropu udrží hmotnost odsavače. Některé modely odsavačů jsou velmi těžké.
- Výška montáže zařízení nad elektrickou a plyno-

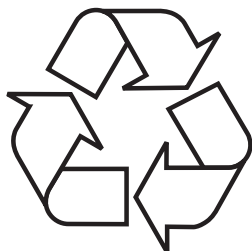
vou varnou deskou je uvedena na obrázku 1, a v produktovém listu (technické specifikaci zařízení).

- Pod kuchyňským odsavačem nenechávejte otevřený plamen při sundávání nádobí z hořáku, nastavte minimální plamen. Vždy zkontrolujte, zda plamen nepřesahuje přes okraj nádoby, protože to způsobuje nežádoucí ztráty energie a nebezpečnou koncentraci tepla.
- Na pokrmy připravované na tuku neustále dohlížejte, protože rozehřátý tuk se může snadno vznítit.
- Před každým čištěním, výměnou filtru nebo před zahájením opravy vyjměte zástrčku zařízení ze zásuvky.
- Protitukový filtr do kuchyňského odsavače čistěte alespoň jednou za měsíc, protože nasáknutý tukem je lehce hořlavý.
- Pokud jsou v místnosti v provozu kromě odsavače jiná zařízení s neelektrickým napájením (např. kamna na kapalné palivo, průtokové ohřivače, termy), zajistěte dostatečné větrání (přívod vzduchu). Bezpečné používání je možné, když při současném provozu odsavače a spalovacích zařízení, závislých na vzduchu v místnosti, je v místě postavení těchto zařízení podtlak nanejvýš 0,004 milibaru (tento bod neplatí, pokud kuchyňský odsavač používáte jako pohlcovač pachů).
- Odsavač nemá sloužit jako plocha pro opření se osob nacházejících se v kuchyni.
- Okap často čistěte jak z vnějšku, tak i uvnitř (ALESPON JEDNOU ZA MĚSÍC, s dodržением pokynů ohledně údržby uvedených v tomto návodu). Nedodržování zásad týkajících se čištění odsavače a výměny filtrů způsobuje nebezpečí požáru.
- Pokud se napájecí kabel poškodí, musí být vyměněn ve specializovaném servisu.
- Zajistěte možnost odpojení zařízení od elektrického napájení vytažením zástrčky nebo vypnutím dvoupolového vypínače.
- Toto zařízení není přizpůsobeno používání osobami (včetně dětí) s omezenou fyzickou, smyslovou nebo psychickou schopností nebo osobami s nedostatečnými zkušenostmi a znalostmi zařízení,

ledaže jej používají pod dohledem nebo v souladu s návodem k používání zařízení, předaným osobami zodpovídajícími za jejich bezpečnost.

- Všimněte si pozorně, aby zařízení nepoužívaly děti ponechané bez dozoru.
- Zkontrolujte, zda napětí uvedené na výrobním štítku odpovídá místním parametrům napájení.
- Před montáží roztáhněte a vyrovnejte síťový kabel.
- Obalové materiály (polyetylenové sáčky, pěnový polystyren apod.) nenechávejte při vybalování v dosahu dětí.
- Před připojením odsavače k elektrickému napájení vždy zkontrolujte, zda je síťový kabel správně nainstalován a zda NEBYL přimáčknutý odsavačem při montáži. NEPŘIPOJUJTE zařízení k elektrické síti před ukončením montáže.
- Je zakázáno používat odsavač bez namontovaných hliníkových protitukových filtrů.
- Přísně je zakázáno připravovat pod odsavačem pokrmy na otevřeném ohni (flambování).
- V rámci nutnosti použití technických a bezpečnostních opatření týkajících se odvádění spalin dodržujte přesně předpisy vydané kompetentními místními orgány.
- Neutažení šroubů a upevňovacích prvků podle těchto pokynů může vést k ohrožení zdraví a života.
- Závěsné odsavače fungují pouze v režimu pohlcovače pachů.
- **POZOR!** V případě chybějící instalace šroubů a úchytných prvků dle pokynů uvedených v tomto návodu může dojít k vzniku nebezpečí elektrické povahy.
- To zařízení může být používané dětmi ve věku 8 let a staršími, osoby s omezenými fyzickými anebo mentálními schopnostmi, jak rovněž osoby bez zkušenosti a bez znalosti zařízení, mohou konvici používat, pokud jsou dozorované anebo byly instruovány ohledně obsluhy zařízení bezpečným způsobem a znají ohrožení spojené s používáním zařízení. Děti si nemohou se zařízením hrát. Čištění a konzervace zařízení nemůže být vykonávána dětmi, ledaže skončily 8 let a mají dohled zodpovědné osoby.

VYBALENÍ



Zařízení bylo po dobu přepravy zabezpečeno proti poškození. Po vybalení zařízení odstraňte části obalu způsobem, který neohrožuje životní prostředí.

Všechny materiály použité na obal jsou stoprocentně neškodné pro životní prostředí a jsou vhodné pro zpětné získání a byly označeny příslušným symbolem. Upozornění! Obalové materiály (polyetylenové sáčky, pěnový polystyren apod.) nenechávejte při vybalování v dosahu dětí.

LIKVIDACE OPOTŘEBOVANÝCH ZAŘÍZENÍ



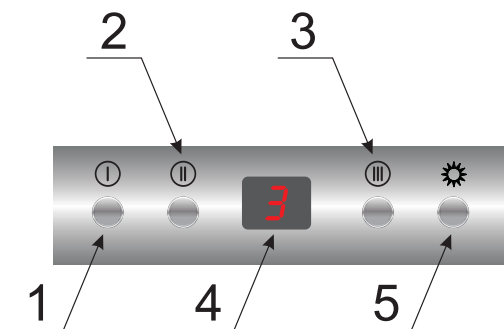
Toto zařízení je označeno v souladu s evropskou směrnicí 2012/19/ES. Takové označení znamená, že toto zařízení se po ukončení životnosti nesmí vyhazovat společně s jiným domácím odpadem.

Uživatel je povinen odevzdat jej do sběrný použitých elektrických a elektronických zařízení. Provádějící sběr, včetně místních sběrů, obchodů a obecních úřadů, tvoří systém umožňující odevzdávání těchto zařízení. Příslušné nakládání s použitými elektrickými a elektronickými zařízeními zabranuje negativním následkům pro lidské zdraví a životní prostředí, vznikajícím z přítomnosti nebezpečných složek a nesprávného skladování a zužitkování takových zařízení.

OBSLUHA

Ovládání odsavače

Ovládací panel odsavače je znázorněn na obrázku 4, pro připomenutí se nachází také níže:



Ovládací panel

Aby zapnout vybranou funkci, vysuňte teleskopický panel digestoře a stiskněte jedno z následujících tlačítek:

- 1- Nejnižší rychlost (1). Tuto rychlost používejte při malém množství páry.
- 2- Střední rychlost (2). Tuto rychlost používejte při středním množství páry, například při vaření více pokrmů najednou.
- 3- Nejvyšší rychlost (3). Tuto rychlost používejte při největším množství páry, například při smažení nebo grilování.
- 4- Displej zobrazující vybranou rychlost
- 5- Zapnutí nebo vypnutí osvětlení


Aby vypnout digestoř, stiskněte tlačítko aktivního pole. Zasunutí teleskopického panelu také vypíná motor digestoře stejně jako osvětlení*.




Časovač (opožděné vypnutí digestoře)


Tato funkce slouží k opožděnému vypnutí motoru odsavače. Tuto funkci použijte po ukončení vaření, abyste očistili vzduch v místnosti od výparů. Čas opoždění činí asi 15 minut. Chcete-li aktivovat funkci prodleva, během práce digestoře na libovolném rychlostním stupni, stiskněte tlačítko s aktivním rychlostním stupněm po dobu minimálně 3 sekund. Číslo na displeji začne blikat. Blikání indikuje správné nastavení času opožděného vypnutí. Chcete-li funkci prodlevy vypnout dříve, zasuňte teleskopický panel. Je to stejné jako vypnutí zařízení. Chcete-li zachovat jeho provoz, opět nastavte příslušnou rychlost.




*V závislosti na modelu


Ukazatel čištění hliníkových filtrů

Pokud se na displeji odsavače zobrazí symbol , znamená to, že je třeba vyčistit hliníkové filtry.

Po vyčištění filtrů vypněte zobrazení zprávy . Za tímto účelem se dotkněte symbolu  a přidržte jej asi na 3 sekundy. Po této činnosti se zobrazí symbol  a zařízení můžete používat normálně.

Upozornění: Chcete-li vypnout zobrazení zprávy , odsavač nesmí být v provozu.

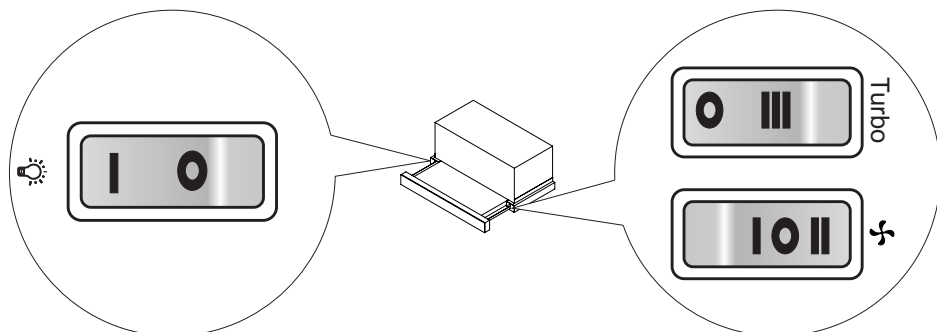
Pokud chcete používat odsavač bez odstranění symbolu , dotkněte se symbolu označeného jako , na displeji se krátce rozsvítí symbol rychlosti, s jakou pracuje odsavač, a pak se znovu zobrazí symbol . Motor odsavače bude dále pracovat.

Upozornění: Symbol  se zobrazí asi po 60 hodinách práce motoru.

OBSLUHA

Ovládání odsavače

Ovládací panel odsavače je znázorněn na obrázku 4, pro připomenutí se nachází také níže:



Ovládací panel je vybaven tlačítky (kolébka). Tlačítka jsou viditelná po vyklopení čelního panelu.

Teleskopický odsavač je vybaven koncovým vypínačem. Pokaždé, když sklopíte čelní panel, odsavač začne pracovat s dříve nastavenou rychlostí.

Nastavitelné rychlosti (při sklopeném čelním panelu):

- I- Nejnižší rychlost. Tuto rychlost používejte při malém množství páry.
- II- Střední rychlost. Tuto rychlost používejte při středním množství páry, například při vaření více pokrmů najednou.
- III- Nejvyšší rychlost. Tuto rychlost používejte při největším množství páry, například při smažení nebo grilování.
- Vypnutý odsavač (vyklopení panelu nespustí motor odsavače).

Tlačítko označené jako  slouží pro zapnutí nebo vypnutí osvětlení. Osvětlení odsavače funguje nezávisle na motoru odsavače.

V závislosti od modelu Jakmile zasunete čelní panel, koncový vypínač vypne také osvětlení.

Jiné důležité informace o obsluze odsavače

Provoz jako pohlčovač: V tomto provozním režimu se přefiltrovaný vzduch vrací zpět do místnosti k tomu přizpůsobenými otvory. Při tomto nastavení nainstalujte uhlíkový filtr a doporučuje se montáž zpětné vzduchové klapky (dostupnost v závislosti na modelu, vyskytuje se hlavně v komínových odsavačích).

Provoz jako odtah: Během odtahového provozního režimu odsavače je vzduch odváděn vně speciálním potrubím. Při tomto nastavení odstraňte eventuální uhlíkový filtr. Odsavač je připojen k otvoru odvádějícímu vzduch ven pomocí tuhého nebo pružného potrubí o průměru 150 mm nebo 120 mm a vhodných svorek k potrubím, které je třeba zakoupit v prodejnách s instalačním materiálem. Připojení svěřte kvalifikovanému pracovníkovi.

Rychlost ventilátoru: Nejnižší a střední rychlost používejte za normálních podmínek a při nízké koncentraci výparů, zatímco nejvyšší rychlost používejte pouze při vysoké koncentraci kuchyňských výparů, např. při smažení nebo grilování.

Poznámka (týká se pouze univerzálních odsavačů): Konstrukce univerzálních odsavačů vyžaduje manuální změnu provozního režimu odsavače. Způsob změny tohoto režimu je znázorněn na obrázku 8.

Poznámka (týká se pouze nábytkových a teleskopických odsavačů): Nábytkové a teleskopické odsavače pracující jako pohlčovač vyžadují montáž roury odvádějící vzduch. Druhý konec roury nasměrujte do místnosti, rourou bude odváděn filtrovaný vzduch.

Upozornění: Závěsné odsavače pracují pouze jako pohlčovač.

ČIŠTĚNÍ A ÚDRŽBA

Údržba

Pravidelná údržba a pravidelné čištění zařízení zajistí správný a bezporuchový provoz odsavače a prodlouží jeho životnost. Věnujte zvláštní pozornost tomu, aby se protitukový filtr a filtr s aktivním uhlím čistily a měnily podle pokynů výrobce.

- Nepoužívejte navlhčené hadříky nebo houby a také proud vody.
- Nepoužívejte rozpouštědla a alkohol, protože by mohly zmatnit lakované povrchy.
- Nepoužívejte leptavé látky, zejména na čištění povrchů z nerezové oceli.
- Nepoužívejte tvrdý, drsný hadřík.
- Doporučuje se používat vlhký hadřík a neutrální čisticí přípravky.

Upozornění: Po několika mytích v myčce se může změnit barva hliníkového filtru. Změna barvy neznamená odchylku a nutnost jeho výměny.

Protitukový filtr

Protitukový filtr čistěte jednou za měsíc během normálního provozu odsavače, v myčce nebo ručně jemným čisticím přípravkem nebo tekutým mýdlem.

Demontáž protitukového filtru je znázorněna na obrázku 5.

U některých modelů se používá akrylový filtr. Měňte jej alespoň jednou za dva měsíce nebo častěji v případě výjimečně intenzivního používání.

Uhlíkový filtr

Uhlíkový filtr používejte pouze v případě, když odsavač není připojen k ventilačnímu kanálu. Filtr s aktivním uhlím má schopnost pohlcovat pachy až do svého nasycení. Není vhodný také k mytí a regeneraci a musí se měnit alespoň jednou za 3-4 měsíce nebo častěji v případě výjimečně intenzivního používání.

Model uhlíkového filtru a demontáž je znázorněn na obrázku 6.

Osvětlení

Používejte žárovky / halogeny / diodové moduly se stejnými parametry jako u původních namontovaných v zařízení. Výměna žárovek je znázorněna na obrázku 7. Pokud obrázek není v tomto návodu, výměnu osvětlovacího modulu může provést pouze autorizovaný servis.

Vážený zákazník

Od dnešného dňa každodenné povinnosti budú jednoduchšie ako kedykoľvek predtým. Zariadenie značky **Amica** spája výnimočne jednoduché používanie a dokonalú efektívnosť. Keď sa oboznámite s užívateľskou príručkou, s používaním zariadenia nebudete mať žiadne problémy.

Zariadenie, ktoré opúšťa továreň, bolo pred konečným zabalením na kontrolných staniciach dôkladne skontrolované, čo sa týka bezpečnosti a funkčnosti zariadenia.

Pred spustením zariadenia sa podrobne a dôkladne oboznámte s užívateľskou príručkou. Dodržiavaním pokynov a odporúčaní, ktoré sú v príručke uvedené, predídete nesprávnemu používaniu zariadenia. Príručku uchovajte a uložte ju na takom mieste, aby bola v prípade potreby ľahko dostupná.

Dôkladne dodržiavajte pokyny a odporúčania uvedené v príručke, vyhnete sa tak nešťastným nehodám či úrazom.

S úctou

Amica

BEZPEČNOSTNÉ POKYNY POUŽÍVANIA

- Odsávač používajte iba po prečítaní tohto návodu!
- Zariadenie je určené iba na domáce, neprofesionálne použitie.
- Výrobca si vyhradzuje právo na vykonávanie zmien, ktoré neovplyvňujú fungovanie zariadenia.
- Výrobca nezodpovedá za prípadné škody alebo požiare spôsobené zariadením následkom nedodržiavania pokynov a odporúčaní, ktoré sú uvedené v tejto príručke.
- Kuchynský odsávač sa používa na odstraňovanie (odsávanie) kuchynských pár. Nepoužívajte ho na iné účely.
- Odsávač, ktorý funguje v režime odsávania, pripojte k príslušnému ventilačnému potrubiu (nepripájajte ku komínovým, dymovým alebo spalinovým potrubiam, ktoré sú v prevádzke). Odsávač vyžaduje inštaláciu potrubia, ktoré odvádza vzduch smerom von z miestnosti. Dĺžka potrubia (najčastejšie rúra Ø 120 alebo 150 mm) nesmie byť dlhšia ako 4-5 m. Potrubie odvádzajúce vzduch sa musí používať aj v prípade teleskopických a vstavaných odsávačov používaných v režime pohlčovania
- Odsávač, ktorý je nastavený režime pohlčovania, vyžaduje inštaláciu filtra s aktívnym uhlím. V tomto prípade sa nevyžaduje inštalácia potrubia odvádzajúceho vzduch von, odporúča sa však montáž usmerňovača prúdu vzduchu (iba komínové odsávače).
- Odsávač má nezávislé osvetlenie a tiež odťahový ventilátor s možnosťou nastaviť jednu z niekoľkých rýchlostí otáčania.

- V závislosti na verzii zariadenia je odsávač určený na trvale pripevnenie na zvislú stenu nad plynovým alebo elektrickým sporákom (komínové a univerzálne odsávače); na strop nad plynovým alebo elektrickým sporákom (ostrovne odsávače); na zvislú stenu v zabudovanom nábytku nad plynovým alebo elektrickým sporákom (teleskopické a vstavané odsávače). Pred inštaláciou sa uistite, či konštrukcia steny / stropu je dostatočná na udržanie odsávača. Niektoré modely odsávačov sú veľmi ťažké.
- Výška montáže zariadenia nad elektrickou a plynovou varnou doskou je uvedená na obrázku 1 a v produktovom liste (technickej špecifikácii zariadenia).
- Pod kuchynským odsávačom nenechávajte otvorený oheň, pri vyberaní riadu z horáku nastavte minimálny plameň. Vždy skontrolujte, či plameň nepresahuje poza riad, pretože to spôsobuje nežiaduce straty energie a nebezpečnú koncentráciu tepla.
- Jedlá pripravované na tuku/oleji musia byť pod stálym dohľadom, pretože nahriaty olej/tuk sa môže ľahko zapáliť.
- Pred každou manipuláciou, napr. čistenie, výmena filtra alebo pred začatím servisných prác, odsávač pár sa musí odpojiť od elektrického napätia.
- Protitukový filter do kuchynského odsávača sa musí čistiť minimálne raz mesačne, keďže zachytený tuk je ľahko horľavý.
- Ak sa v miestnosti, okrem odsávača, využívajú iné zariadenia s neelektickým spaľovaním (napr. pece na tekuté palivo, prietokové ohrievače), musí sa zabezpečiť dostatočné vetranie (prísun vzduchu). Bezpečné používanie je možné vtedy, ak pri súčasnom používaní odsávača a iných zariadení, ktoré spotrebúvajú vzduch v danej miestnosti,

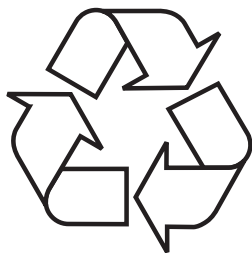
na mieste používania týchto zariadení je podtlak maximálne 0,004 milibaru (tieto požiadavky sa nemusia splniť v prípade, ak sa odsávač používa v režime pohlcovača pár).

- Odsávač sa nesmie používať ako plocha na opieranie osôb, ktoré sú v kuchyni.
- Odsávač často čistite, tak z vonku ako aj z vnútra (MINIMALNE RAZ MESACNE), pričom dodržiavajte pokyny uvedené v tejto príručke. V prípade nedodržiavania zásad týkajúcich sa čistenia odsávača, ako aj výmeny filtrov, hrozí riziko vzniku požiaru.
- Ak bude napájací kábel bude poškodený, musí byť vymenený v špecializovanom servise.
- Zabezpečte možnosť odpojenia zariadenia od el. napätia vytiahnutím zástrčky z el. zásuvky, alebo vypnutím dvojpólového vypínača.
- Toto zariadenie nie je prispôbené k používaniu osobami (v tom deťmi) s obmedzenou fyzickou, zmyslovou alebo psychickou schopnosťou alebo osobami s nedostatočnými skúsenosťami a znalosťami zariadenia, iba ak je uskutočňované pod dohľadom alebo v súlade s návodom používania zariadenia, odovzdanom osobami odpovedajúcimi za ich bezpečnosť.
- Venujte mimoriadnu pozornosť tomu, aby spotrebič nepoužívali deti ponechané bez dozoru.
- Skontrolujte, či el. napätie uvedené na výrobnom štítku zariadenia sa zhoduje s parametrami el. napätia siete.
- Pred montážou napájací kábel rozviňte a vyrovnajte.
- Dávajte pozor, aby sa obalové materiály (polyetylénové vrecká, kúsky polystyrénu atď.) nedostali do rúk deťom.
- Pred pripojením odsávača k sieťovému napájaniu vždy skontrolujte, či bol napájací kábel správne nainštalovaný a či NEBOL pritlačený odsávačom

počas montážnych prác. Zariadenie nepripájajte k el. napätiu predtým, než úplne skončíte montáž zariadenia.

- Odsávač sa nesmie používať bez namontovaných hliníkových protitukových filtrov.
- Pod odsávačom sa v žiadnom prípade nesmú pripravovať jedlá s použitím otvoreného ohňa (flambovanie). Je to prísne zakázané.
- Čo sa týka dodržiavania požadovaných technických a bezpečnostných prostriedkov a pokynov týkajúcich sa odvádzania spalín, bezpodmienečne dodržujte platné miestne predpisy a normy.
- V prípade, ak skrutky, ako aj montážne a upevňujúce prvky nebudú správne (v súlade s touto príručkou) dotiahnuté (upevnené), hrozí riziko úrazu, či dokonca smrti.
- Visiace odsávače fungujú iba v režime pohlcovania pachov.
- POZOR! Chýbajúca inštalácia upevňovacích skrutiek alebo prostriedkov v súlade s týmito pokynmi môže spôsobiť úraz elektrickým prúdom.
- Toto zariadenie môže byť používané deťmi vo veku 8 rokov a starších, osoby s obmedzenými fyzickými alebo mentálnymi schopnosťami, ako aj osobami bez skúseností a bez znalostí zariadenia môžu kanvicu používať, pokiaľ sú dohliadané alebo boli inštruované vzhľadom obsluhy zariadenia bezpečným spôsobom a znajú ohrozenie spojené s používaním zariadenia. Deti si nemôžu so zariadením hrať. Čistenie a konzervácia zariadenia nemôže byť vykonávaná deťmi ledaže ukončili 8 rokov a sú dohliadané zodpovednou osobou.

ROZBALENIE



Zariadenie je chránené pred poškodením počas prepravy. Prosíme Vás, aby ste po vybalení zariadenia zlikvidovali obalové materiály spôsobom neohrozujúcim životné prostredie.

Všetky materiály použité na zabalenie sú neškodné pre životné prostredie, sú 100% recyklovateľné a sú označe-

né príslušným symbolom.

Pozor! Dávajte pozor, aby sa obalové materiály (polyetylenové vrecká, kusky polystyrénu atď.) nedostali do rúk deťom.

LIKVIDÁCIA ZARIADENÍ



Toto zariadenie je označené v súlade s Európskou smernicou 2012/19/ES. Tento symbol informuje, že toto zariadenie sa po opotrebovaní (skončení používania) nešmie vyhodiť do komunálneho odpadu. Užívateľ je povinný zariadenie odovzdať v zbernom mieste opotrebovaných elektrických a elektronických zariadení.

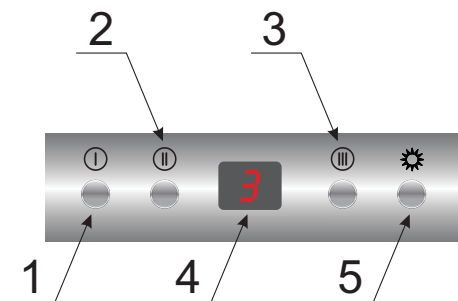
Subjekty, ktoré sa zaoberajú spracovaním opotrebovaných zariadení, tzn. miestne zberné miesta, obchody alebo jednotky štátnej správy, vytvárajú príslušný systém, ktorý každému umožňuje odovzdať takéto zariadenia.

Správny postup pri likvidácii elektrického a elektronického zariadenia predchádza negatívne mu vplyvu škodlivých pre ľudské zdravie a životné prostredie konzekvencií, ktoré vyplývajú z prítomnosti nebezpečných častí ako aj nesprávneho skladovania a recyklácie takýchto zariadení.

OBSLUHA

Ovládanie odsávača

Ovládací panel odsávača je zobrazený na obr. 4, na pripomenutie je uvedený aj nižšie:



Ovládací panel

Keď chcete zapnúť danú funkciu, vysuňte teleskopický panel odsávača a stlačte jeden z nasledovných tlačidiel:

- 1- Najnižšia rýchlosť (1). Túto rýchlosť používajte, keď sa nevytvára príliš veľa pary.
- 2- Stredná rýchlosť (2). Túto rýchlosť používajte, keď sa vytvára stredne veľké množstvo pary, napr. pri varení niekoľkých jedál súčasne.
- 3- Najvyššia rýchlosť (3). Túto rýchlosť používajte, keď sa vytvára veľké množstvo pary, napr. pri vyprášaní či grilovaní.
- 4- Displej zobrazujúci aktuálne nastavenú rýchlosť.
- 5- Zapínanie alebo vypínanie osvetlenia.

Keď chcete odsávač vypnúť, stlačte tlačidlo aktívneho poľa. Keď zasuniete teleskopický panel, vypne sa motor odsávača aj osvetlenie*.




Časovač (oneskorené vypnutie odsávania)


Táto funkcia je určená na nastavenie oneskoreného vypnutia odsávania. Funkcia je vhodná napr. vtedy, keď chcete po skončení varenia odsáť všetky pary (zápach) z miestnosti. Čas oneskorenia je cca 15 minút. Keď chcete spustiť funkciu oneskorenia, keď je spustené odsávanie na ľubovoľnej rýchlosti, stlačte a na 3 sekundy podržte tlačidlo s aktívnou rýchlosťou. Číslica na displeji začne blikať. Blikanie signalizuje, že je nastavené oneskorené vypnutie odsávania. Keď chcete funkciu oneskoreného vypnutia vypnúť skôr, zasunúť teleskopický panel. Funguje to tak isto, ako vypnutie zariadenia. Keď chcete odsávanie opäť spustiť, musíte opäť nastaviť požadovanú rýchlosť.




* Závisí od daného model

Ukazovateľ čistenia hliníkových filtrov

Keď sa na displeji odsávača zobrazí symbol  znamená to, že hliníkové filtre sú zanesené a musia sa vyčistiť.

Keď filtre vyčistíte, vypnite zobrazovanie správy . Preto dotknite a na cca 3 sekundy podržte symbol . Keď to urobíte, zobrazí sa symbol  a zariadenie môžete používať normálnym spôsobom.

Pozor: Keď chcete vypnúť zobrazovanie správy , odsávač nemôže byť spustený.

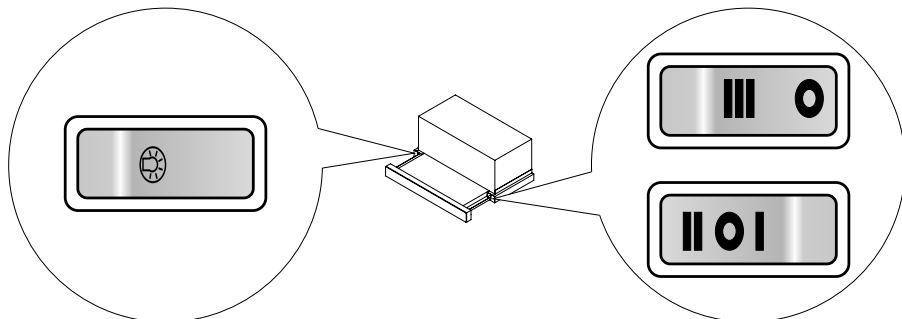
Ak chcete používať odsávač bez toho, aby ste odstránili symbol , dotknite symbol označený ako , na displeji sa na krátko zobrazí symbol aktuálne spustenej rýchlosti odsávača, a následne sa opäť zobrazí symbol . Motor odsávača bude naďalej pracovať.

Pozor: Symbol  sa zobrazuje po cca 60 hodinách prevádzky motora.

OBSLUHA

Ovládanie odsávača

Ovládací panel odsávača je zobrazený na obr. 4, na pripomenutie je uvedený aj nižšie:




Ovládací panel má nasledujúce tlačidlá (vahadlo). Sú viditeľné po vysunutí teleskopického čela.

Teleskopický odsávač má integrovaný koncový (dorazový) spínač. Keď vysuniete teleskopické čelo, odsávač sa spustí na predtým nastavenej rýchlosti.

Dostupné rýchlosti odsávania (keď je vysunuté čelo):

- I- Najnižšia rýchlosť. Túto rýchlosť používajte, keď sa nevytvára príliš veľa pary.
- II- Stredná rýchlosť. Túto rýchlosť používajte, keď sa vytvára stredne veľké množstvo pary, napr. pri varení niekoľkých jedál súčasne.
- III- Najvyššia rýchlosť. Túto rýchlosť používajte, keď sa vytvára veľké množstvo pary, napr. pri vyprážaní či grilovaní.
- Vypnuté odsávanie (po vysunutí teleskopického čela sa odsávač nespustí).

Tlačidlo označené ako  je určené na zapínanie/vypínanie osvetlenia. Osvetlenie odsávača funguje nezávisle od odsávania.

V závislosti od modelu keď zasuniete teleskopické čelo aktivuje sa koncový spínač, ktorý vypne aj osvetlenie.

Iné dôležité informácie týkajúce sa používania odsávača

Režim pohlčovania: V tomto režime sa prefiltrovaný vzduch cez otvory, ktoré sú na to určené, vracia späť do miestnosti (recirkulácia). Pri tomto nastavení sa musí namontovať uhlíkový filter, a tiež odporúčame namontovať smerovač (difúzor) vychádzajúceho vzduchu (dostupný pre každý model, používa sa predovšetkým v komínových odsávačoch).

Režim odsávania: V tomto režime odsávač odvádza vzduch vonku špeciálnym potrubím. V tomto režime nepoužívajte uhlíkový filter (ak je vložený, vyberte ho). Odsávač pár sa pripája k ventilačnému komínu pomocou pevných alebo elastický rúr s priemerom 150 mm alebo 120 mm a príslušných spojok, ktoré si môžete zaobstaráť v obchodoch s inštaláčnymi materiálmi. Pripojenie je potrebné zadať kvalifikovanému technikovi.

Rýchlosť ventilátora: Najnižšia a stredná rýchlosť ventilátora sa používa v normálnych podmienkach a pri malej koncentrácii pár. Najvyššia rýchlosť sa používa iba v prípade vysokej koncentrácie kuchynských pár, napr. počas smaženia, grilovania.

Pozor (týka sa iba univerzálnych odsávačov): Univerzálne odsávače sú skonštruované tak, že zmena režimu práce odsávača sa musí vykonať ručne. Spôsob zmeny režimu je znázornený na obrázku 8.

Pozor (týka sa iba vstavaných a teleskopických odsávačov): Vstavané a teleskopické odsávače používané v režime pohlčovania, musia mať namontované potrubie odvádzajúce vzduch. Druhý koniec potrubia je potrebné nasmerovať do miestnosti, tadiaľ bude odvádzaný prefiltrovaný vzduch.

Pozor: Visiace odsávače fungujú iba v režime pohlčovania.

ČISTENIE A ÚDRŽBA

Konzervácia

Pravidelné čistenie a údržba zariadenia zaručujú dobré fungovanie odsávača a zároveň predlžujú jeho životnosť. Dôležité je pravidelné čistenie protitukových filtrov a výmena uhlíkových filtrov v súlade s odporúčaniami výrobcu.

- Nepoužívajte vlhké handričky alebo špongie ani prúd vody.
- Nepoužívajte riedidlá ani alkohol, pretože by mohli zmatnieť lakované povrchy.
- Nepoužívajte leptavé látky, najmä na čistenie povrchov z nerezovej oceli.
- Nepoužívajte tvrdé, drsné handričky
- Odporúčame používať vlhkú a jemnú handričku s použitím jemných saponátov.

Pozor: Po niekoľkých umytiach v umývačke riadu sa farba hliníkového filtra (mriežky) môže zmeniť. Taká zmena farby neznamena, že filter nefunguje správne, a že sa musí vymeniť.

Protitukový filter

Protitukový filter je potrebné čistiť každý mesiac počas normálnej prevádzky odsávača, v umývačke riadu alebo ručne s použitím jemného čistiaceho prostriedku alebo tekutého mydla.

Demontáž protitukového filtra je znázornená na obrázku č. 5.

Pri niektorých modeloch je použitý akrylový filter. Musí byť vymenený aspoň raz za 2 mesiace, alebo častejšie v prípade veľmi intenzívneho používania.

Uhlíkový filter

Uhlíkový filter sa používajú iba vtedy, ak odsávač pár nie je pripojený na ventilačný komín. Uhlíkový filter je schopný absorbovať pachy až určitú absorpčnú hladinu – nasýtenie. Uhlíkové filtre sa nesmú umývať, nie sú vhodné na regeneráciu a musia sa vymieňať, a to aspoň raz na 3-4 mesiace alebo častejšie, ak sa odsávač pár využíva intenzívne. Model uhlíkového filtra a demontáž je znázornený na obrázku 6.

Osvetlenie

Je potrebné používať žiarovky / halogény / diódové moduly s rovnakými parametrami ako sú nainštalované výrobcom v zariadení. Výmena osvetlenia je znázornená na obrázku č. 7. Ak obrázok nie je v tejto príručke uvedený, modul osvetlenia môže vymeniť iba autorizovaný servis.

Cher Client

À partir d'aujourd'hui les tâches quotidiennes deviennent encore plus faciles. Cet appareil **Amica** combine une facilité d'utilisation exceptionnelle à une efficacité parfaite. Après la lecture du mode d'emploi, l'utilisation de l'appareil ne vous posera aucun problème.

La sécurité et la fonctionnalité de l'équipement sorti d'usine ont été soigneusement vérifiées sur les postes de contrôle avant son emballage.

Prière de lire attentivement le mode d'emploi avant la mise en fonctionnement de l'appareil. Respecter ses indications vous protégera contre toute utilisation incorrecte. Garder le mode d'emploi dans un endroit accessible.

Respecter les instructions de ce mode d'emploi afin d'éviter des accidents.

Respectueusement

Amica

INDICATIONS CONCERNANT LA SÉCURITÉ D'UTILISATION

- La hotte ne doit être utilisée qu'après avoir pris connaissance de la présente notice d'utilisation
- L'appareil n'est destiné qu' à l'usage dans un cadre domestique.
- Le fabricant se garde le droit d'introduire des modifications n'ayant pas d'influence sur l'exploitation générale de l'appareil.
- Le fabricant décline toute responsabilité en cas de dommages ou d'incendies provoqués par l'appareil du fait de non-respect des dispositions contenues dans la présente notice d'utilisation.
- La hotte aspirante est destinée à évacuer les vapeurs de cuisson. Elle ne doit pas être utilisée à d'autres fins.
- L'air ne doit pas être déchargé dans un conduit utilisé pour l'épuisement de vapeur d'appareils à gaz ou autres combustibles. La hotte nécessite l'installation d'un conduit d'évacuation de l'air donnant sur l'extérieur. La longueur de la conduite (le plus souvent un tuyau de Ø 120 mm ou 150 mm) ne doit pas dépasser 4-5 m. La conduite d'évacuation de l'air est également nécessaire pour les hottes télescopiques et les hottes encastrables en mode d'absorption.
- La hotte en mode de recyclage nécessite l'installation d'un filtre à charbon actif. Dans ce cas de figure, il n'est pas nécessaire d'installer un conduit d'évacuation de l'air à l'extérieur, par contre, il est préconisé de monter un déflecteur d'air (présent principalement dans les hottes cheminées).
- La hotte est dotée d'un éclairage indépendant et d'un ventilateur d'extraction offrant la possibilité de régler plusieurs vitesses de rotation.
- En fonction de la version de l'appareil, la hotte est prévue à être fixée à une cloison verticale au-dessus de la table de cuisson à gaz ou électrique (hottes de cheminée ou universelles) ; au

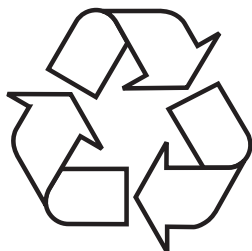
plafond au-dessus de la table de cuisson à gaz ou électrique (hottes îlot) ; sur une cloison verticale des meubles hauts de cuisine au-dessus de la table de cuisson à gaz ou électrique (hottes télescopiques et encastrables). Avant de procéder au montage, assurez-vous que la construction du mur / plafond est adaptée à soutenir la hotte. Certains modèles de hottes ont une masse importante.

- La hauteur d'installation de l'appareil au-dessus de la plaque électrique et à gaz est indiquée sur la figure 1 ainsi que dans la fiche produit (spécifications techniques de l'appareil).
- Il est interdit de laisser un feu ouvert sous la hotte de cuisine, en enlevant le récipient de cuisson, régler une petite flamme. Vérifiez toujours si la flamme ne dépasse pas le bord du récipient de cuisson, ceci entraîne des pertes d'énergie et une concentration de la chaleur indésirables.
- Les fritures effectuées sous la hotte doivent faire l'objet d'une surveillance constante, les graisses portées à très haute température peuvent s'enflammer.
- Débrancher l'appareil de la prise de courant avant toute opération de nettoyage, de remplacement du filtre ou d'entretien.
- Le filtre à graisse de la hotte doit être nettoyé au moins une fois par mois, car saturé de graisse, il pourra facilement prendre feu.
- Une ventilation convenable de la pièce doit être prévue (amenée de l'air), lorsque la hotte de cuisine est utilisée simultanément avec des appareils alimentés par une source d'énergie différente de l'énergie électrique (p.ex. combustibles liquides, chaudières, chauffe-eau). En cas d'utilisation simultanée de la hotte et de foyers dépendant de l'air ambiant se trouvant dans la pièce, une exploitation sans danger est possible en respectant une dépression de 0,004 mbar au maximum à l'endroit d'installation de tels appareils (cette consigne n'est pas applicable lorsque la hotte aspirante est utilisée en version de recyclage).

- La hotte ne doit pas servir d'un plan d'appui pour les personnes se trouvant dans la cuisine.
- La hotte doit être souvent nettoyer à l'extérieur et à l'intérieur (AU MOINS UNE FOIS PAR MOIS, en suivant les consignes relatives à l'entretien indiquées dans le présent mode d'emploi). Il y a un risque d'incendie si le nettoyage n'est pas apporté selon les instructions.
- Si le câble d'alimentation est endommagé, il doit être remplacé par le fabricant, son service après vente ou des personnes de qualification similaire afin d'éviter un danger.
- Il est nécessaire d'assurer la possibilité de débrancher l'appareil du secteur en retirant la fiche de la prise de courant ou en déclenchant l'interrupteur bipolaire
- Cet appareil n'est pas conçu pour être utilisé par des personnes (y compris les enfants) à aptitudes physiques, sensorielles ou mentales réduites ainsi que par des personnes manquant d'expérience et de connaissances à moins que cette utilisation s'effectue sous la surveillance ou en accord avec la notice d'utilisation remise par les personnes responsables de la sécurité.
- Les enfants ne doivent pas jouer avec l'appareil.
- Le nettoyage et l'entretien par l'utilisateur ne doivent pas être effectués par des enfants sans surveillance
- Vérifiez si la tension indiquée sur la plaque signalétique correspond aux paramètres de la section locale du secteur.
- Avant le montage, dérouler et redresser le cordon d'alimentation.
- Lors du déballage, garder les matériaux d'emballage (petits sacs polyéthylène, morceaux de polystyrène, etc.) hors de portée des enfants.
- Avant de brancher la hotte au réseau électrique, assurez-vous toujours que le cordon d'alimentation a été correctement installé et qu'il N'A PAS été écrasé par la hotte lors des opérations de montage. Ne pas brancher l'appareil à l'alimentation électrique avant la fin du montage.
- Il est interdit d'utiliser la hotte sans filtres à

- graisse en aluminium.
- Il est formellement interdit de flamber des aliments sous la hotte.
 - En ce qui concerne les mesures techniques et celles en matière de sécurité nécessaires pour l'évacuation des fumées, respectez impérativement les normes et la législation en vigueur émises par les autorités locales compétentes.
 - Le serrage trop faible des vis et des éléments de fixation par rapport aux instructions applicables présente des risques pour la santé et la vie humaine.
 - Les hottes suspendues fonctionnent uniquement en mode d'absorption des odeurs
 - ATTENTION ! Ne pas suivre les instructions pour l'installation des vis ou dispositifs de fixation peut entraîner des dangers électriques.
 - Cet appareil peut être utilisé par des enfants âgés d'au moins 8 ans et par des personnes ayant des capacités physiques, sensorielles ou mentales réduites ou dénuées d'expérience ou de connaissance, s'ils (si elles) sont correctement surveillé(e)s ou si des instructions relatives à l'utilisation de l'appareil en toute sécurité leur ont été données et si les risques encourus ont été appréhendés.
 - Cet appareil peut être utilisé par des enfants âgés de 8 ans ou plus, par des personnes avec des capacités motrices, sensorielles ou mentales réduites et par des personnes dénuées d'expérience ou de connaissance de l'équipement uniquement si elles se trouvent sous surveillance et qu'elles aient été instruites auparavant au sujet de l'exploitation de l'appareil de façon sûre et qu'elles connaissent les dangers liés à l'exploitation de l'appareil. Les enfants ne devraient pas jouer avec l'appareil. Le nettoyage et la maintenance de l'appareil ne devraient pas être effectués par des enfants à moins qu'ils n'aient fini leurs 8 ans et ne soient surveillés par une personne appropriée.

DÉBALLAGE



Pour son transport, l'appareil a été emballé afin de le protéger contre les endommagements. Après déballage de l'appareil, prière d'éliminer les éléments de l'emballage d'une façon non nuisible à l'environnement.

Tous les matériaux utilisés pour l'emballage sont inoffensifs pour l'environnement et recyclables à 100% (ils sont marqués par un symbole approprié)

Attention! Lors du déballage, garder les matériaux d'emballage (petits sacs polyéthylène, morceaux de polystyrène, etc.) hors de portée des enfants.

ÉLIMINATION DES APPAREILS USAGÉS



Cet appareil est marqué par le symbole du conteneur à déchets, rayé, conformément à la Directive Européenne 2012/19/CE. Ce symbole signale que le produit, après sa période d'utilisation, ne pourra pas être éliminé avec d'autres déchets ménagers.

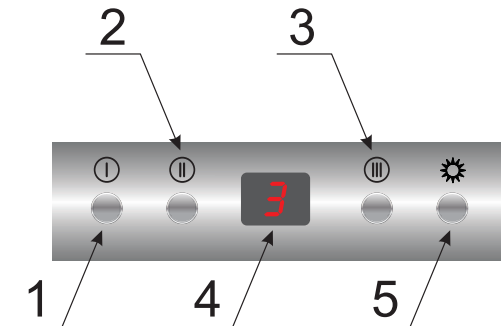
L'utilisateur est obligé de le rendre à un point de collecte des appareils électriques et électroniques usagés. De tels points de collecte sont mis en place par les communes, certains magasins et entreprises de ramassage des déchets.

Respecter les règles d'élimination des appareils électriques et électroniques permet d'éviter des conséquences nuisibles à la santé humaine et à l'environnement naturel, à cause de la possibilité de présence de constituants dangereux ou de transformations inappropriées à ce type d'appareil.

EXPLOITATION

Commande de la hotte

Le panneau de commande de la hotte est présenté sur le dessin 4, pour rappel, il est également présenté ci-dessous :



Panneau de commande

Pour activer la fonction choisie, sortir le panneau télescopique de la hotte et appuyer sur l'une des touches suivantes :

- 1- Faible vitesse (1). Utiliser cette vitesse pour une petite quantité de fumée.
- 2- Vitesses moyennes (2). Utiliser cette vitesse pour une quantité de fumée moyenne, par exemple lors de la cuisson de plusieurs plats en même temps.
- 3- Vitesse supérieure (3*). Utiliser cette vitesse pour la plus grande quantité de fumée, par exemple lors de la friture ou de la grillade.
- 4- La vitesse choisie est affichée sur l'affichage.
- 5- Allumer ou éteindre l'éclairage.

Pour éteindre la hotte, appuyer sur la touche de la zone active. L'insertion du panneau télescopique éteint également le moteur de la hotte et l'éclairage*.




Minuterie (arrêt différé de la hotte)

Cette fonction permet l'arrêt différé du moteur de la hotte. Utiliser cette fonction après la cuisson, pour aérer la pièce et évacuer les fumées. L'arrêt est différé d'environ 15 minutes. Pour activer l'arrêt différé, lors du fonctionnement de la hotte, appuyer sur la touche de la vitesse active et la maintenir pressée pendant au moins 3 secondes. Le chiffre sur l'affichage commence à clignoter. Le clignotement indique le réglage correct de l'arrêt différé. Pour éteindre la fonction de l'arrêt différé avant, insérer le panneau télescopique. Cela éteint l'appareil. Pour remettre l'appareil en marche, activer de nouveau la vitesse appropriée.




*Selon le modèle


Indicateur de nettoyage des filtres aluminium

Si le symbole  est affiché sur l'affichage de la hotte, cela signifie que les filtres aluminium doivent être nettoyés.

Après le nettoyage des filtres, éteindre l'affichage du message . Pour ce faire, toucher et maintenir pressé le symbole  pendant environ 3 secondes. Après cette opération, le symbole  apparaît et l'appareil peut être utilisé normalement.

Attention : Pour désactiver l'affichage du message , la hotte ne peut pas être en mode de fonctionnement.

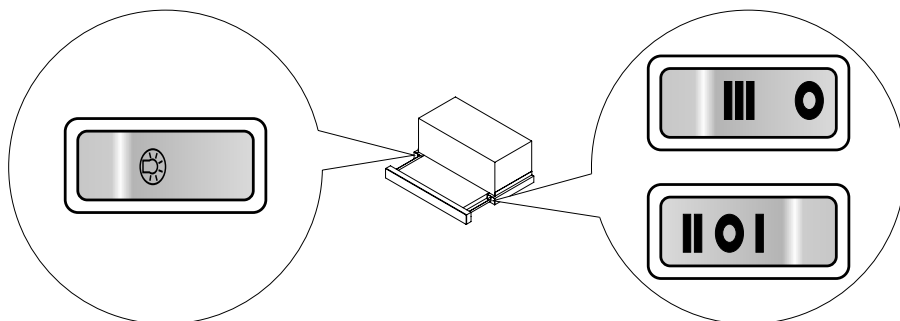
Si la hotte doit être utilisée sans l'élimination du symbole , toucher le symbole marqué par , le symbole de la vitesse de fonctionnement de la hotte s'allume brièvement sur l'affichage et ensuite, le symbole  apparaît de nouveau. Le moteur de la hotte reste en marche.

Attention : Le symbole  s'affiche après environ 60 heures de fonctionnement du moteur.

EXPLOITATION

Commande de la hotte

Le panneau de commande de la hotte est présenté sur le dessin 4, pour rappel, il est également présenté ci-dessous :



Le panneau de commande dispose de touches (bascule). Elles sont visibles, une fois la face avant télescopique sortie. La hotte télescopique est équipée d'un interrupteur de fin de course. À chaque sortie de la face avant télescopique, la hotte se mettra en marche en mode de fonctionnement réglé au préalable.

Vitesses possibles (face avant télescopique sortie) :

- I- Vitesse inférieure. Utiliser cette vitesse pour une petite quantité de fumée.
- II- Vitesse moyenne. Utiliser cette vitesse pour une quantité de fumée moyenne, par exemple lors de la cuisson de plusieurs plats en même temps.
- III- Vitesse supérieure. Utiliser cette vitesse pour la plus grande quantité de fumée, par exemple lors de la friture ou de la grillade.
- Hotte éteinte (la sortie du panneau n'entraîne pas la mise en marche du ventilateur de la hotte).

La touche  sert à allumer ou à éteindre l'éclairage. L'éclairage fonctionne indépendamment du ventilateur de la hotte.

Selon le modèle l'interrupteur de fin de course entraîne également l'extinction de l'éclairage, lorsque le panneau avant est sorti.

Autres informations importantes relatives à l'utilisation de la hotte

Fonctionnement en mode recyclage: Dans ce mode de fonctionnement, l'air filtré retourne dans la pièce par les orifices prévus à cet effet. Ce réglage nécessite le montage d'un filtre à charbon et d'un élément d'orientation de l'air (disponibilité selon les modèles, présent principalement dans les hottes cheminées).

Fonctionnement en mode évacuation: Lors du fonctionnement en mode évacuation, l'air est sorti vers l'extérieur à travers un conduit d'évacuation spécial. Pour une utilisation sur ce mode, retirez le filtre à charbon s'il y en a. La hotte est raccordée à une bouche d'évacuation de l'air vers l'extérieur à travers un tuyau rigide ou flexible d'un diamètre de 150 ou 120 mm et des colliers de serrage appropriés que vous pouvez acquérir dans un magasin spécialisé. Le raccordement doit être confié à un technicien qualifié.

Vitesses du ventilateur : Les vitesses minimale et moyenne sont utilisées en conditions normales et à des intensités faibles de vapeurs, par contre la vitesse maximale ne doit être utilisée qu'en cas de vapeurs de cuisson intenses, p.ex. les fritures ou grillades.

Remarque (uniquement pour les hottes universelles) : La construction des hottes universelles nécessite un changement manuel du mode de fonctionnement. La méthode de changement du mode est présentée sur le dessin 8. Si le dessin n'est pas présent dans le présent mode d'emploi, cette hotte n'est pas concernée par cette remarque.

Remarque (uniquement pour les hottes encastrables et télescopiques) : Les hottes encastrables et télescopiques fonctionnant en mode recyclage nécessitent l'installation d'un tuyau d'évacuation de l'air. L'autre bout du tuyau doit être orienté vers la cuisine, l'air filtré sera amené par ce bout.

Attention : Les hottes suspendues (ou îlot) fonctionnent uniquement en mode recyclage.

NETTOYAGE ET ENTRETIEN

Entretien

Un entretien et un nettoyage réguliers de l'appareil garantiront le bon fonctionnement de la hotte et prolongeront sa durée de vie. Apportez un soin particulier au nettoyage et au remplacement du filtre à graisse et du filtre à charbon actif conformément aux prescriptions du fabricant.

- N'utilisez ni chiffons ni éponges mouillés ni jets d'eau.
- N'utilisez ni solvants, ni alcool car ils peuvent ternir les surfaces peintes.
- N'utilisez pas de substances caustiques, en particulier pour le nettoyage des surfaces en acier inoxydable.
- N'utilisez pas de chiffons durs, abrasifs
- Il est préconisé de vous servir d'un chiffon humide et de nettoyeurs neutres.

Filtre à graisse

En cas de fonctionnement normal de la hotte, le filtre à graisse doit être nettoyé tous les mois, au lave-vaisselle ou manuellement avec du détergent ou du savon liquide doux.

Le démontage du filtre à graisse est présenté sur la figure 5.

Attention: Après plusieurs lavages au lave-vaisselle, la couleur du filtre en aluminium pourra changer. Le changement de la couleur n'indique pas une anomalie ou la nécessité de son remplacement.

Pour certains modèles de hottes, des filtres acryliques sont installés. Remplacez le filtre au moins tous les 2 mois ou plus fréquemment en cas d'utilisation particulièrement intensive.

Filtre à charbon

Le filtre à charbon ne peut être utilisé que lorsque la hotte n'est pas raccordée au conduit de ventilation. Le filtre à charbon actif est capable d'absorber des odeurs de cuisson jusqu'à saturation. Le filtre n'est ni lavable ni régénérable et il doit être remplacé au moins tous les 3-4 mois ou plus fréquemment en cas d'utilisation particulièrement intensive.

Le modèle du filtre à charbon et le démontage sont présentés sur la figure 6.

Éclairage

Utilisez des ampoules / lampes halogènes / modules à diodes dont les paramètres sont identiques à ceux des lampes installés en usine. Le remplacement des lampes est présenté sur la figure 7. Si le dessin n'est pas présent dans le présent mode d'emploi, le module d'éclairage doit être remplacé uniquement par un service agréé.

Beste klant

Vanaf vandaag zijn de dagelijkse klusjes eenvoudiger dan ooit tevoren. Het apparaat **Amica** is een combinatie van uitzonderlijk bedieningsgemak en perfecte effectiviteit. Na het lezen van de gebruiksaanwijzing kent de bediening voor u geen geheimen meer.

Ieder apparaat dat de fabriek verlaat is vóór het inpakken op controleplekken grondig gecontroleerd op veiligheid en functionaliteit.

Wij vragen u deze gebruiksaanwijzing zorgvuldig door te lezen voordat u het apparaat inschakelt. Naleving van de aanwijzingen die erin zijn opgenomen beschermt u tegen onjuist gebruik. Bewaar de gebruiksaanwijzing en zorg dat u hem altijd binnen handbereik heeft.

Volg de gebruiksaanwijzing nauwkeurig op om ongevallen te voorkomen.

Hoogachtend

Amica

AANWIJZINGEN VOOR VEILIG GEBRUIK

- Gebruik de afzuigkap pas nadat u deze handleiding hebt doorgelezen.
- Het apparaat is uitsluitend bestemd voor huishoudelijk gebruik.
- De producent behoudt zich het recht voor om wijzigingen aan te brengen die het gebruik van het apparaat niet beïnvloeden.
- De producent is niet aansprakelijk voor eventuele schade of brand die is ontstaan door het apparaat die het resultaat is van het niet in acht nemen van de aanwijzingen uit deze gebruiksaanwijzing.
- De afzuigkap dient voor het verwijderen van keukendampen. Gebruik hem niet voor andere doeleinden.
- De afzuigkap als afzuiginstallatie moet worden aangesloten op een geschikt ventilatiekanaal (niet aansluiten op schoorsteenkanalen, rookkanalen of afvoerkanalen voor verbrandingsgassen die in gebruik zijn). Voor de afzuigkap moet een afvoerkanal worden geïnstalleerd om de lucht naar buiten af te voeren. De lengte van het kanaal (meestal een buis van \varnothing 120 of 150 mm) mag niet langer zijn dan 4-5 m. Ook bij telescoopafzuigkappen en inbouwafzuigkappen die werken in de absorptiemodus is een luchtafvoerkanal nodig.
- In een afzuigkap die werkt in de absorptiemodus moet u een actieve-koolfilter aanbrengen. In dat geval is installatie van een afvoerkanal voor de lucht niet nodig. We bevelen dan wel aan om een besturing van de luchtblazer te monteren (alleen schouwkappen).
- De afzuigkap is uitgerust met onafhankelijke verlichting en een aanzuigventilator die op een aantal snelheden kan worden ingesteld.
- Afhankelijk van de versie is de afzuigkap bedoeld voor permanente bevestiging aan een vertica-

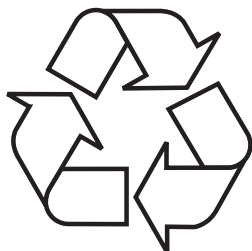
le wand boven een gasfornuis of elektrisch fornuis (schouwkappen en universele kappen); op het plafond boven een gasfornuis of elektrisch fornuis (afzuigkappen voor kookeilanden); aan een verticale wand in keukenmeubels boven een gasfornuis of elektrisch fornuis (telescoop- en inbouwkappen). Controleer voor de montage of de wand-/plafondconstructie geschikt is voor montage van de afzuigkap. Sommige afzuigkapmodellen zijn erg zwaar.

- De installhoogte van het apparaat boven de elektrische en gasplaat is aangegeven in figuur 1 en in de productfiche (technische specificatie van het apparaat).
- Het is niet toegestaan om onder de afzuigkap een vlam op vol vermogen te laten branden. Zet voor het afnemen van de pan de brander op een kleine vlam. Controleer altijd of de vlam niet voorbij de rand van de pan komt. Dit veroorzaakt ongewenst energieverlies en onveilige warmteconcentraties.
- Houd continu toezicht als u gerechten bereidt met vetten. Oververhit vet kan makkelijk in brand vliegen.
- Haal steeds de stekker uit het stopcontact voordat u het apparaat schoonmaakt, het filter verwisselt of reparaties uitvoert.
- Maak het anti-vetfilter van de afzuigkap minimaal een keer per maand schoon, omdat een met olie verzadigd filter bijzonder brandbaar is.
- Indien in de ruimte naast de afzuigkap ook andere apparaten worden gebruikt die niet door elektriciteit worden aangedreven (bijv. ovens op vloeibare brandstoffen, waterverwarmers, geisers), dan moet u zorgen voor voldoende ventilatie (aanvoer van lucht). Er is sprake van veilig gebruik bij gelijktijdige werking van de afzuigkap en verbrandingsapparaten die afhankelijk zijn van de lucht in de ruimte, wanneer op de plaats waar deze apparaten zijn geïnstalleerd een onderdruk heerst van maximaal 0,004 millibar (dit punt geldt niet wanneer de afzuigkap wordt gebruikt voor de absorptie van geurtjes).
- De afzuigkap mag niet dienen als ondersteuning

- voor personen die zich in de keuken bevinden.
- Maak de afzuigkap regelmatig van binnen en van buiten schoon (MINIMAAL EENMAAL PER MAAND, met inachtneming van de aanwijzingen over onderhoud uit deze gebruiksaanwijzing). Als u zich niet houdt aan de aanwijzingen voor het schoonmaken van de afzuigkap en het verwisselen van de filters, ontstaat brandgevaar.
 - Als de voedingskabel beschadigd raakt, dan moet deze vervangen worden bij een specialistische service.
 - Zorg ervoor dat het apparaat makkelijk losgekoppeld kan worden van het elektriciteitsnetwerk door de stekker uit het stopcontact te trekken of de dipoolschakelaar uit te schakelen.
 - Dit apparaat is niet bestemd voor gebruik door personen (waaronder kinderen) met lichamelijke of geestelijke beperkingen of personen zonder ervaring met of kennis van het apparaat, tenzij dit gebruik plaatsvindt onder toezicht of overeenkomstig de gebruiksaanwijzing van het apparaat, door personen die verantwoordelijk zijn voor hun veiligheid.
 - Zorg ervoor dat u het apparaat niet door kinderen zonder toezicht kan worden gebruikt.
 - Controleer of de spanning die staat aangegeven op het typeplaatje overeenkomt met de parameters van het elektriciteitsnet op de plaats van aansluiting.
 - Voorafgaand aan de montage de voedingskabel uitrollen en rechttrekken.
 - Het verpakkingsmateriaal (polyethyleenzakjes, stukken polystyreen etc.) bij het uitpakken buiten het bereik van kinderen houden.
 - Voordat u de afzuigkap aansluit op het lichtnet dient u altijd eerst te controleren of de voedingskabel op de juiste wijze is geïnstalleerd en of hij tijdens de montagewerkzaamheden NIET bekneld is komen te zitten door de afzuigkap. Sluit het apparaat niet aan op het elektriciteitsnet voordat u klaar bent met de montage.
 - Het is verboden om de afzuigkap te gebruiken zonder gemonteerde aluminium vetfilters.

- Het is streng verboden om onder de afzuigkap gerechten klaar te maken met gebruik van open vuur (flamberen).
- Houd u op het gebied van de noodzakelijke toepassing van technische middelen en beveiligingen bij het afvoeren van verbrandingsgassen strikt aan de voorschriften van de bevoegde lokale autoriteiten.
- Het niet volgens deze instructie aandraaien van de schroeven en bevestigingselementen kan levensbedreigend zijn en gevaar opleveren voor de gezondheid.
- Hangende afzuigkappen werken uitsluitend in de modus geurabsorptie.
- **WAARSCHUWING!** Wanneer niet de in deze instructies vermelde schroeven worden gebruikt of als het apparaat niet volgens deze instructies wordt bevestigd, kunnen elektrische risico's ontstaan.
- Dit apparaat mag gebruikt worden door kinderen van 8 jaar en ouder, door personen met een lichamelijke, zintuiglijke of verstandelijke beperkingen en personen zonder ervaring of kennis van het apparaat wanneer op hen gelet wordt of ze geïnstrueerd zijn over het veilig gebruik van het apparaat en ze de gevaren kennen in verband met het gebruik van het apparaat. Kinderen mogen niet met het apparaat spelen. Reiniging en onderhoud mogen niet door kinderen gedaan worden tenzij ze 8 jaar zijn of ouder en er toezicht wordt gehouden door een juiste persoon.

UITPAKKEN



Het apparaat is beveiligd tegen transportschade. Na het uitpakken moet het verpakkingsmateriaal zo verwerkt worden dat er geen risico voor het milieu ontstaat.

Al het materiaal dat voor de verpakking is gebruikt is milieuvriendelijk, het kan voor 100% hergebruikt worden en het is gelabeld met het bijbehorende symbool.

Attentie! Het verpakkingsmateriaal (polyethyleenzakjes, stukken polystyreen etc.) bij het uitpakken buiten het bereik van kinderen houden.

VERWIJDERING VAN GEBRUIKTE APPARATUUR



Dit product is overeenkomstig met de Europese richtlijn 2012/19/EG. Dit merkteken informeert dat dit apparaat na afloop van zijn levensduur niet samen met ander huishoudelijk afval verwijderd mag worden.

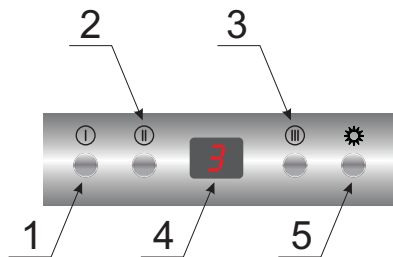
De gebruiker is verplicht om het aan te bieden bij een inzamelpunt voor gebruikte elektrische en elektronische apparatuur. De inzamelende instanties, waaronder lokale inzamelpunten, winkels en gemeentelijke instanties vormen een geschikt systeem voor de inzameling van deze apparatuur.

De juiste behandeling van gebruikte elektrische en elektronische apparatuur leidt tot het vermijden van consequenties die schadelijk zijn voor de menselijke gezondheid en de natuurlijke omgeving en voortkomen uit de aanwezigheid van gevaarlijke bestanddelen en verkeerde opslag en verwerking van dergelijke apparatuur.

BEDIENING

Bediening van de afzuigkap

Het bedieningspaneel van de afzuigkap staat weergegeven op afbeelding 4. Om het u makkelijk te maken staat hij ook hieronder:



Bedieningspaneel

Om de gekozen functie in te schakelen schuift u het telescopische paneel van de afzuigkap uit en drukt u op een van de onderstaande knoppen:

- 1- Laagste snelheid (1). Gebruik deze snelheid bij een kleine hoeveelheid dampen.
- 2- Gemiddelde snelheid (2). Gebruik deze snelheid bij een gemiddelde hoeveelheid dampen, bijvoorbeeld bij het tegelijkertijd koken van meerdere gerechten.
- 3- Hoogste snelheid (3). Gebruik deze snelheid bij de hoogste hoeveelheid dampen, bijvoorbeeld bij het bakken of grillen.
- 4- Display voor het tonen van de gekozen snelheid.
- 5- Inschakelen of uitschakelen van de verlichting.





Om de afzuigkap uit te schakelen drukt u op de knop van het actieve veld. Door het telescopische paneel in te schuiven schakelt u ook de motor van de afzuigkap en de verlichting uit*.


Timer (uitgesteld uitschakelen van de afzuigkap)




Deze functie dient voor het uitgesteld uitschakelen van de motor van de afzuigkap. Gebruik deze functie als u klaar bent met koken om de kookdampen uit de ruimte te verwijderen. De uitgestelde tijd bedraagt circa 15 minuten. Om de uitstelfunctie in te schakelen, houdt u de knop van de actieve versnelling minimaal 3 seconden ingedrukt terwijl de afzuigkap in een willekeurige versnelling werkt. Het cijfer op de display begint te knipperen. Het knipperen betekent dat de instelling van de uitgestelde tijd juist is. Om de uitstelfunctie eerder uit te schakelen schuift u het telescopische paneel in. Hiermee schakelt u het apparaat uit. Wilt u dat het apparaat doorwerkt, stel dan opnieuw de gewenste snelheid in.


* Afhankelijk van het model

Aanduiding reiniging aluminiumfilters

Als op de afzuigkap het symbool  verschijnt, betekent dit dat u de aluminiumfilters moet reinigen. Schakel na reiniging van de filters de weergave van het bericht uit . Doe dit door het symbool  ongeveer drie seconden ingedrukt te houden. Na afloop van deze handeling verschijnt het symbool  en kunt u het apparaat weer normaal gebruiken.

Opgelet: Om de weergave van het bericht  uit te schakelen mag de afzuigkap niet in werkstand staan.

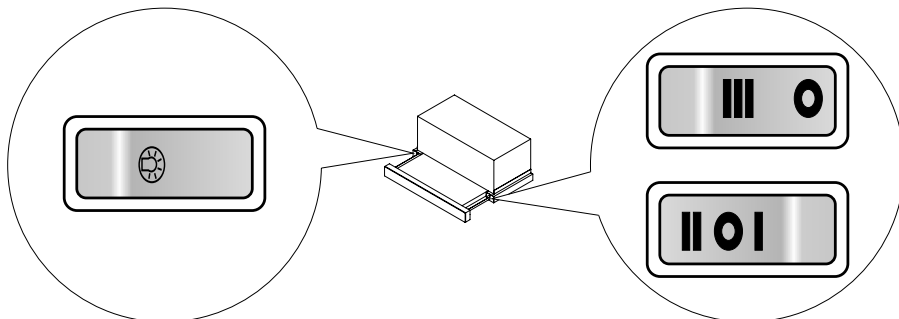
Als u de afzuigkap wilt gebruiken zonder het symbool  te verwijderen, raak het als  aangeduide symbool dan aan, op de display gaat het symbool van de versnelling waarin de afzuigkap werkt, korte tijd branden, daarna verschijnt het symbool  opnieuw. De motor van de afzuigkap zal verder werken.

Opgelet: Het symbool  verschijnt na ongeveer 60 bedrijfsuren van de motor.

BEDIENING

Bediening van de afzuigkap

Het bedieningspaneel van de afzuigkap staat weergegeven op afbeelding 4. Om het u makkelijk te maken staat hij ook hieronder:



Het bedieningspaneel is uitgerust met knoppen (tuimelschakelaars). Deze worden zichtbaar als u het telescoopfront uittrekt. De telescoopafzuigkap is uitgerust met een randschakelaar. Steeds als u het telescoopfront uittrekt, gaat de afzuigkap werken in de eerder ingestelde versnelling.

Mogelijk instelbare snelheden (bij uitgetrokken front):

- I- Laagste snelheid. Gebruik deze snelheid bij een kleine hoeveelheid dampen.
- II- Gemiddelde snelheid. Gebruik deze snelheid bij een gemiddelde hoeveelheid dampen, bijvoorbeeld bij het tegelijkertijd koken van meerdere gerechten.
- III- Hoogste snelheid. Gebruik deze snelheid bij de hoogste hoeveelheid dampen, bijvoorbeeld bij het bakken of grillen.
- De afzuigkap is uitgeschakeld (bij het uittrekken van het paneel schakelt de afzuigkap niet in).

De knop die is aangeduid met  dient voor het inschakelen of uitschakelen van de verlichting. De verlichting in de afzuigkap werkt onafhankelijk van de motor van de afzuigkap.

Afhankelijk van het model de randschakelaar zorgt ook voor het uitschakelen van de verlichting als u het front terugschuift.

Andere belangrijk informatie over de bediening van de afzuigkap

Werking als absorptieapparaat: Bij deze optie wordt de gefilterde lucht weer teruggeblazen in de ruimte door de openingen die hiervoor geschikt zijn gemaakt. Bij deze instelling moet u een koolfilter installeren. Ook bevelen wij de installatie van een stuurmechanisme voor het uitblazen van de lucht aan (verkrijgbaar afhankelijk van het model, komt hoofdzakelijk voor bij schouwkappen).

Werking als luchtafzuiger: Bij gebruik van de afzuigfunctie wordt de lucht via een speciale leiding naar buiten afgevoerd. Bij deze instelling moet u het eventuele koolfilter verwijderen. De afzuigkap is aangesloten op een afvoeropening met behulp van een stijve of flexibele buis met een doorsnede van 150 mm of 120 mm en speciale buisklemmen die verkrijgbaar zijn in een winkel met installatiematerialen. Laat de aansluiting uitvoeren door een installateur

Snelheid van de ventilator: De laagste en middelste snelheid gebruikt u onder normale omstandigheden en als er zich weinig dampen vormen. De hoogste snelheid alleen toepassen als er zich veel keukendampen vormen, bijv. tijdens het bakken of grillen.

Opgelet (betreft alleen universele afzuigkappen): De constructie van de universele afzuigkap vereist handmatige wijziging van de werkingsmodus van de afzuigkap. De manier waarop u deze modus wijzigt staat weergegeven op afbeelding 8.

Opgelet (betreft alleen inbouw- en telescoopafzuigkappen): Inbouw- en telescoopafzuigkappen die werken in de absorptiemodus vereisen de montage van een luchtafvoerbuis. Het tweede uiteinde van de buis moet in de ruimte zijn gericht voor de afvoer van gefilterde lucht.

Attentie: Hangende afzuigkappen werken uitsluitend in de modus geurabsorptie.

REINIGING EN ONDERHOUD

Onderhoud

Regelmatig onderhoud en reiniging van het apparaat garandeert een goede en storingsvrije werking van de afzuigkap en verlengt zijn levensduur. Let er vooral op dat het anti-vetfilter en het actieve koolfilter volgens de aanbevelingen van de producent worden schoongemaakt en vervangen.

- Gebruik geen drijfnatte doekjes of sponsjes, of een waterstraal;
- Gebruik geen oplosmiddelen of alcohol, hierdoor kunnen gelakte oppervlakten mat worden;
- Gebruik geen bijtende middelen, met name niet voor roestvrijstalen oppervlakten;
- Gebruik geen harde, ruwe doekjes.
- Aanbevolen wordt het gebruik van een vochtig doekje en een neutraal schoonmaakmiddel.

Attentie: Het aluminiumfilter kan verkleuren als het enige malen in de afwasmachine is gewassen. De verkleuring betekent niet dat het beschadigd is of vervangen moet worden.

Antivetfilter

Bij normale werking van de afzuigkap moet het antivetfilter eenmaal per maand worden schoongemaakt. Dit kan in de afwasmachine of met de hand, met behulp van een mild afwasmiddel of vloeibare zeep.

Op afbeelding 5 ziet u hoe u het antivetfilter moet vervangen.

In sommige modellen is een acrylfilter toegepast. Dit moet minimaal eenmaal per 2 maanden vervangen worden, of vaker bij intensief gebruik.

Actieve koolfilter

Het actieve-koolfilter uitsluitend gebruiken wanneer de afzuigkap niet is verbonden met een ventilatiekanaal. Het actieve-koolfilter absorbeert geurtjes totdat het verzadigd is. Het kan niet gewassen of geregeneerd worden en het moet minimaal eenmaal per 3-4 maanden vervangen worden, of vaker bij intensief gebruik.

Het model van het koolstoffilter en de demontage wordt getoond in figuur 6.

Verlichting

Gebruik lampjes / halogeenlampjes / led-modules met dezelfde parameters als degenen die fabrieksmatig zijn geïnstalleerd. Op afbeelding 7 ziet u hoe u de verlichting moet vervangen. Indien de afbeelding niet voorkomt in deze gebruiksaanwijzing, mag de verlichtingsmodule alleen worden vervangen door de geautoriseerde service.

Štovani Klijenti

Od danas svakodnevne obveze nikad nisu bile jednostavnije. Uređaj **Amica** je spoj iznimno jednostavnog rukovanja i savršene učinkovitosti. Uporaba je jednostavna nakon čitanja uputa.

Oprema koja je izašla iz tvornice je prije pakiranja rigorozno provjerena na kontrolnim točkama na području sigurnosti i funkcionalnosti.

Molimo Vas da prije pokretanja uređaja pažljivo pročitate upute za uporabu. Pridržavanje pravila iz uputa štiti Vas od nepravilne eksploatacije. Upute sačuvati i čuvati na mjestu koje je uvijek pri ruci.

Pozorno pročitati upute za uporabu da bismo izbjegli nezgode.

Sa štovanjem

Amica

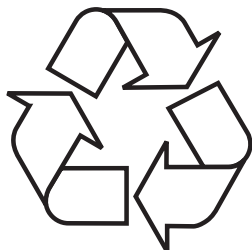
SIGURNOSNE NAPOMENE

- Napu koristiti tek nakon čitanja uputa za uporabu.
- Uređaj je namijenjen isključivo za kućansku uporabu.
- Proizvođač pridržava pravo na promjene koje ne utječu na rad uređaja.
- Proizvođač ne snosi nikakvu odgovornost za potencijalne štete ili požare koje je prouzrokovao uređaj zbog nepridržavanja uputa za uporabu.
- Kuhinjske nape služe za odvođenje onečišćenog zraka, pare i dima iz kuhinje. Ne koristiti u druge svrhe.
- Napu u usisnoj verziji priključiti u odgovarajući kanal za ventilaciju (napu se ne smije priključiti na dimnjake kotlova, kamina, odvoda koji služe za odvod dima nastalog uslijed sagorijevanja. Napa zahtijeva montažu ispušne cijevi za zrak. Dužina voda (najčešće cijev \varnothing 120 mm ili 150 mm) ne bi trebala prekoračiti 4-5 m. Crijevo za odvod zraka je neophodno i kod teleskopskih i ugradbenih napa s režimom recirkulacije zraka.
- Napa u verziji s cirkuliranjem zraka zahtijeva instalaciju filtera s aktivnim ugljenom. U tom slučaju nije neophodna montaža cijevj koja odvodi zrak u vanjsku ventilaciju, preporučena je instalacija poklopca usmjeravanje zraka (samo kaminske nape).
- Napa posjeduje neovisnu rasvjetu i usisni ventilator s mogućnosti podešavanja nekoliko brzina okretaja.
- Ovisno o verziji napa je namijenjena za trajnu montažu na okomitom zidu iznad plinskog ili električnog štednjaka (kaminske ili univerzalne nape); na stropu iznad električnog ili plinskog štednjaka (otocna); na okomitom zidu u namještaju iznad plinskog ili električnog štednjaka (teleskopske i ugradne nape). Prije montaže provjeriti da li je konstrukcija zida/stropa dovoljno jaka da izdrži napu. Neki modeli kuhinjskih napa su jako teški.

- Visina montaže uređaja iznad električne i plinske ploče navedena je na slici 1 i u tehničkom listu proizvoda.
- Ispod kuhinjske nape ne ostavljati otkriveni plamen, tijekom skidanja posuda s plamenika po desiti minimalni plamen. Uvijek provjeriti da li plamen ne izlazi ispod posude, jer to uzrokuje nepoželjne gubitke energije i opasnu koncentraciju topline.
- Jela koja su pripremana na masnoći stalno nadzirati, jer se pregorijana masnoća može lako upaliti.
- Prije svakog čišćenja, promjene filtera ili popravaka izvuci utikač iz mrežne utičnice.
- Filter za masnoću čistiti najmanje jednom, mjesечно, jer je zapaljiv kad je zasićen masnoćom.
- Ako su u prostoriji osim nape korišteni neki drugi neelektrični uređaji (peći na tekuća goriva, radijatori, terme) pobrinuti se za dovoljnu ventilaciju (dovod zraka). Ako napu koristite u istovremeno s uređajima koji se ne napajaju električnom energijom, podtlak u prostoriji ne smije prelaziti 0,004 mbar, čime se sprječava da napa povuče ispusne plinove natrag u prostoriju, (ova napomena ne obvezuje kad je napa korištena u filter verziji).
- Na kuhinjsku napu se ne mogu naslanjati osobe koje se nalaze u kuhinji.
- Napa treba često čistiti kako izvana, tako i iznutra (**NAJMANJE JEDNOM MJESEČNO**), pridržavati se napomena o održavanju navedenih u ovim uputama). Nepridržavanje pravila čišćenja nape i promjene filtera može stvoriti opasnost od požara.
- Ako se kabel za napajanje ošteti, promijeniti ga na ovlaštenom servisnom mjestu.
- Mora postojati mogućnost isključivanja uređaja iz električne mreže, izvlačenjem utikača ili isključivanjem dvopolnog prekidača.
- Ovaj uređaj ne mogu koristiti osobe (uključujući djecu), smanjenih tjelesnih, osjetilnih i mentalnih mogućnosti ili osobe koje ne raspolazu znanjem ili iskustvom, ako nisu su pod nadzorom odrasle osobe koja je odgovorna za njihovu sigurnost.

- Posebno paziti da uređaj ne koriste djeca ostavljena bez nadzora.
- Provjeriti odgovara li napon električne mreže podacima navedenim na natpisnoj pločici.
- Prije montaže razviti i izravnati kabel za napajanje.
- Elemente pakiranja (polietilenske vrećice, komadići stiropora itd.) prilikom uklanjanja ambalaze držati daleko od djece.
- Prije priključivanja nape na električnu mrežu uvijek provjeriti da li je kabel za napajanje pravilno instaliran i da ga NISMO prignječili napom tijekom montaže. Ne uključivati uređaj u električnu mrežu prije završetka montaže.
- Zabranjena je uporaba nape bez montiranih aluminijskih filtera za masnoću.
- Strogo je zabranjeno pripremanje hrane na otvorenom plamenu ispod kuhinjske nape (flambiranje).
- Sto se tiče tehničkih i sigurnosnih mjera za odvodnju dima, strogo se pridržavati lokalnih propisa.
- Vijke pričvrstiti i montirati pričvrstne elemente u skladu s uputama za uporabu. U suprotnom napa može opasna po zdravlje i život.
- Višeće nape djeluju samo u recirkulacijskom režimu
- **PAZNJA!** Neuspješna instalacija vijaka i zatvarača u skladu s ovim uputama, može rezultirati opasnostima električne naravi.
- Ovim uređajem mogu rukovati djeca starija od 8 godina, osobe smanjenih fizičkih, osjetilnih ili mentalnih sposobnosti, kao i osobe s nedovoljnim iskustvom i znanjem, ukoliko su pod nadzorom ili su dobili upute za rad s uređajem na siguran način te razumiju opasnost kojoj su izloženi. Deca se ne smiju igrati uređajem. Djeca mlađa od 8 godina ne smiju čistiti i održavati uređaj, osim ako su ispunila 8 godina i ako nisu pod nadzorom odgovorne osobe

UKLANJANJE PAKIRANJA



Uređaj je za vrijeme transporta zaštićen od oštećenja. Nakon vađenja uređaja iz pakiranja molimo Vas da elemente ambalaze uklonite na način koji ne ugrožava okoliš.

Svi materijali korišteni za pakiranje nisu štetni za okoliš, 100% materijala je prikladno za recikliranje, stoga su

označeni odgovarajućim simbolom.

Pozor! Elemente pakiranja (polietilenske vrećice, komadići stiropora itd.) prilikom uklanjanja ambalaze držati daleko od djece.

ZBRINJAVANJE POTROŠENIH UREĐAJA



Ovaj uređaj je označen u skladu s europskom uredbom 2012/19/EU. Oznaka na proizvodu pokazuje da ovaj proizvod nakon njegovog životnog vijeka ne može biti tretiran kao obični kućanski otpad.

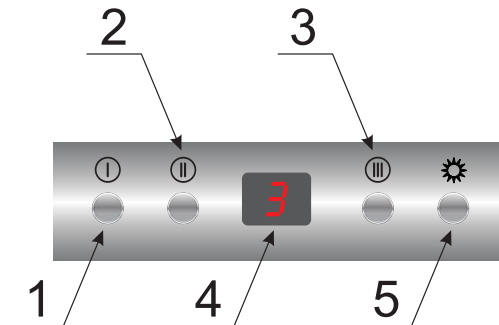
Korisnik ima obvezu ovaj proizvod predati na odgovarajuće sabirno mjesto za recikliranje potrošene električne i elektroničke opreme. Ustanove za prikupljanje ovakvog otpada, uključujući lokalne sabirne točke, kupovna mjesta, općinske jedinice, stvaraju odgovarajući sustav koji omogućava zbrinjavanje ovakve opreme.

Pravilno odlaganje potrošene električne i elektroničke opreme sprečava potencijalne negativne posljedice za okoliš i ljudsko zdravlje, koje inače mogu biti uzrokovane neodgovarajućim odlaganjem i preradom ovog proizvoda.

UPORABA

Upravljanje napom

Upravljačka ploča nape je predstavljena na crtežu 4, koji se također naziva niže:



Upravljačka ploča

Za uključenje izabrane funkcije izvaditi izvlačni panel nape i pritisnuti jednu od nižih tipki:

- 1- Najniža brzina (1). Ovu brzinu koristiti kod male količine isparenja.
- 2- Srednje brzine (2). Ovu brzinu koristiti kod srednje količine isparenja, na primjer tijekom istovremenog kuhanja više jela.
- 3- Najviša brzina (3). Ovu brzinu koristiti kod najveće količine isparenja, na primjer tijekom prženja ili grilanja.
- 4- Zaslون koji prikazuje izabranu brzinu.
- 5- Uključivanje ili isključivanje osvjetljenja.


Za isključenje nape pritisnuti tipku aktivnog polja. Uvlačenje izvlačnog panela istovremeno isključuje motor nape i osvjetljenje*.




Timer (odgoda isključenja nape)

Ta funkcija služi za odgađanje isključenja motora nape. Funkciju koristiti nakon kuhanja, za čišćenje zraka od isparenja u prostoriji. Vrijeme odgode iznosi oko 15 minuta. Za uključenje funkcije odgode, tijekom rada nape u bilo kojoj brzini, pritisnuti tipku s aktivnom brzinom najmanje 3 sekunde. Brojka na zaslonu počinje treperiti. Treperenje signalizira ispravno podešeno vrijeme odgode isključenja. Za brže isključenje funkcije odgode uvući izvlačni panel nape. To istovremeno isključuje uređaj. Ako želite nastaviti s radom uređaja, ponovo podesite odgovarajuću brzinu.




* Ovisi o modelu


Pokazatelj čišćenja aluminijskih filtara

Ako se na zaslonu nape pojavi simbol , to znači da trebamo očistiti aluminijske filtre.

Nakon čišćenja filtara isključiti prikazivanje poruke . U tom cilju dodirnuti i pridržati simbol  oko 3 sekunde. Nakon te radnje pojavljuje se simbol  i uređaj možemo koristiti na normalni način.

Pozor: Za isključenje poruke  napa ne bi treba biti pokrenuta.

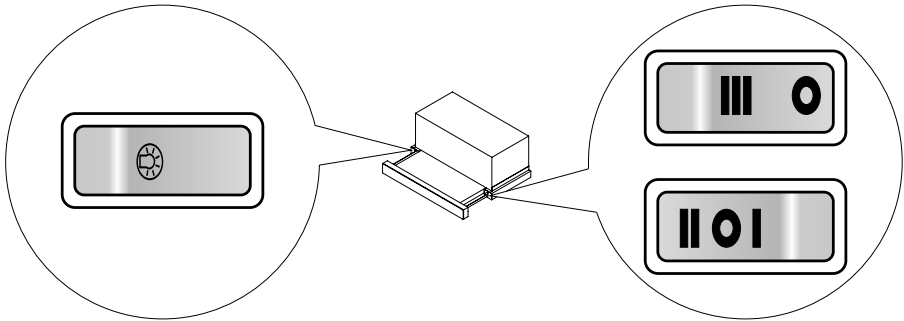
Ako želite koristiti napu bez uklanjanja simbola , dodirnuti simbol koji je označen kao , na zaslonu se kratko pali simbol brzine u kojoj radi napa, nakon toga se opet pojavljuje simbol . Motor nape će nastaviti s radom.

Pozor: Simbol  se pojavljuje nakon oko 60 sati rada motora.

UPORABA

Upravljanje napom


Upravljačka ploča nape je predstavljena na crtežu 4, koji se također nalazi niže:



Upravljačka ploča je opremljena tipkama (kolijevka). Tipke su vidljive nakon izvlačenja teleskopske čeonu ploče. Teleskopska napa je opremljena graničnim prekidačem. Svaki put kad izvučemo teleskopsku čeonu ploču napa počinje s radom u prethodno podešenoj brzini.

Potencijalne brzine (kod izvučene čeonu ploče):

- I- Najniža brzina. Ovu brzinu koristiti kod male količine isparenja.
- II- Srednja brzina. Ovu brzinu koristiti kod srednje količine isparenja, na primjer tijekom istovremenog kuhanja više jela.
- III- Najviša brzina. Ovu brzinu koristiti kod najveće količine isparenja, na primjer tijekom prženja ili grilanja.
- Napa je isključena (izvlačenje ploče ne uzrokuje pokretanje motora nape).

Tipka označena kao  služi za uključivanje ili isključivanje rasvjete. Rasvjeta nape djeluje neovisno od motora nape.

Ovisno o modelu granični prekidač također isključuje svjetlo kad uvučemo čeonu ploču.

Ostale važne informacije o uporabi nape

Recirkulacijski režim: U ovoj opciji rada filtrirani zrak se opet vraća u prostoriju kroz prilagođene otvore. U ovom režimu treba montirati ugljeni filter i preporučena je montaža usmjerivača odvoda zraka (ovisno o modelu, pojavljuje se uglavnom u napama s dimnjakom).

Odzračni režim: U usisnoj verziji nape zrak je odvođen napolje specijalnim vodom. Izvadite ugljeni filter ako je u napi. Napa je priključena na otvor vanjskog ventilacijskog odvoda preko čvrste ili savitljive cijevi promjera 150 ili 120 mm i odgovarajućih obujmica za cijevi, koje treba kupiti u prodavaonicama s instalacijskim materijalima. Priključivanje obavlja kvalificirani instalater.

Brzine ventilatora Najnižu i srednju brzinu koristiti u normalnim uvjetima male koncentracije isparenja, a najvišu koristimo samo kad je koncentracija kuhinjskih isparenja visoka, np. tijekom prženja i grilanja.

Pozor (tiče se samo univerzalnih napa): Konstrukcija univerzalnih napa zahtijeva ručno mijenjanje režima rada nape. Način promjene tog režima je prikazan na crtežu 8.

Pozor (tiče se samo ugradbenih i teleskopskih napa): Ugradbene i teleskopske nape koje rade u cirkulacijskoj verziji zahtijevaju montažu cijevi za odvod zraka. Drugi kraj cijevi usmjeriti prema prostoriji, kroz cijev je odvođen filtrirani zrak.

Pozor: Viseće nape rade samo u recirkulacijskom režimu.

ČIŠĆENJE I ODRŽAVANJE

Održavanje

Redovito održavanje i čišćenje uređaja jamči dobar i pouzdan rad nape i produžava njezin životni vijek. Posebno paziti da filter za masnoću i filter s aktivnim ugljenom čistimo i mijenjamo u skladu s preporukama proizvođača.

- Ne koristiti krpe namočene u vodi, spužve niti mlaz vode.
- Ne koristiti razrjeđivače niti alkohol, jer mogu zatamniti lakirane površine.
- Ne koristiti korozivne tvari, posebno tijekom čišćenja površina od nehrđajućeg čelika.
- Ne koristiti tvrde, hrapave krpe
- Preporučena je uporaba vlažne krpe i neutralnih sredstava za pranje.

Pozor: Nakon nekoliko pranja u perilici za posuđe boja aluminijskog filtera može se promijeniti. Promjena boje ne znači da je uređaj neispravan ili da je neophodna njegova zamjena.

Filter protiv masnoće

Filter za masnoću čistiti najmanje jednom mjesečno kod normalnog rada nape; u perilici za posuđe ili ručno pomoću delikatnog deterdženta ili tekućeg sapuna.

Demontaža filtera za masnoću pokazana je na crtežu 5.

U nekim modelima je primijenjen akrilni filter. Moramo ga mijenjati maksimalno svaka 2 mjeseca ili češće u slučaju intenzivne uporabe.

Ugljeni filter

Ugljeni filter se koristi samo kad je napa nije priključena u ventilacijsku cijev. Filter s aktivnim ugljenom upija mirise dok se ne zasiti. Nije prikladan za pranje niti za regeneraciju i mijenjamo ga najmanje jednom svaka 3-4 mjeseca ili češće u slučaju intenzivne uporabe.

Model ugljenog filtra i rastavljanje prikazano je na slici 6.

Rasvjeta

Koristiti žarulje/ halogene / diodne module s istim parametrima kao te koje su tvornički montirane u uređaju. Zamjena žarulje je prikazana na crtežu 7. Ako se crtež ne pojavljuje u uputama, promjenu modula rasvjete obavlja isključivo ovlašteni servis.

JAMSTVO, POSLIJEPRODAJNE AKTIVNOSTI

Jamstvo

Jamstvene usluge u skladu s jamstvenim listom. Proizvođač ne snosi odgovornost za bilo kakvu štetu prouzrokovanu nepravilnom uporabom proizvoda.

Servis

- Proizvođač sugerira da sve popravke i regulacijske djelatnosti obavlja Tvornički Servis ili Ovlašteni Servis proizvođača. Iz sigurnosnih razloga samostalno ne popravljati uređaj.
- Popravci koje obavljaju osobe bez odgovarajućih kvalifikacija uzrokuju ozbiljnu opasnost za korisnika uređaja.
- Minimalno razdoblje jamstva za uređaj, koji nudi proizvođač, uvoznik ili ovlašteni predstavnik, navedeno je u jamstvenom listu.
- Uređaj gubi jamstvo u slučaju samovoljnih promjena ili prepravaka, skidanja plombi ili druge zaštite s uređaja ili njegovih dijelova, ili drugog samovoljnog uplitanja u konstrukciju uređaja koje nije u skladu s uputama za uporabu.

Prijavljivanje popravka i pomoć u slučaju kvara


Ako uređaj zahtijeva popravak, kontaktirati servis. Adresni podaci i kontaktni broj telefona nalaze se u jamstvenom listu. Prije stupanja u kontakt, pripremite serijski broj uređaja koji se nalazi na natpisnoj pločici. Prepišite ga nize kako biste ga imali pri ruci:

--	--	--	--	--	--	--	--	--	--	--	--	--	--	--	--	--	--	--	--

Izjava proizvođača

Proizvođač nižim izjavljuje da ovaj proizvod ispunjava osnovne uvjete niže navedenih europskih uredbi:

- niskonaponske uredbe 2014/35/UE
- uredbe elektromagnetne kompatibilnosti 2014/30/UE
- uredbe ekodizajna 2009/125/EC
- uredbe RoHS 2011/65/EC

i zato je proizvod označen  te je izdana izjava o sukladnosti koja je dostupna ustanovama za nadzor tržišta.

Spoštovani Klienti

Od danes bodo vsakodnevni opravki preprostejši kot kdajkoli prej. Naprava **Amica** je skupek izjemno lahke uporabe in popolne učinkovitosti. Ko boste prebrali navodila za uporabo, uporaba ne bo problem.

Naprava, ki je zapustila tovarno, je bila pred pakiranjem na kontrolnih oddelkih natančno preverjena glede varnosti in funkcionalnosti.

Prosimo vas, da si natančno preberete navodila za uporabo preden zaženete napravo. Zagotavljanje usklajenosti z vsebino v navodilih vas bo ščitilo pred neustrezno uporabo. Navodilo je treba shraniti in hraniti tako, da ga boste imeli vedno pri roki.

Skrbno upoštevajte navodila za uporabo, da preprečite kakršnokoli nezgodo.

S spoštovanjem,

Amica

NAVODILA ZA ZAGOTAVLJANJE VARNOSTI UPORABE

- Napo lahko uporabljate šele, ko preberete ta navodila.
- Naprava je namenjena izključno domači uporabi.
- Proizvajalec si pridržuje možnost izvajanja sprememb, ki nimajo vpliva na delovanje naprave.
- Proizvajalec ne nosi nobene odgovornosti za eventualno škodo ali požare, ki bi jih lahko izdelek povzročil ob neupoštevanju nasvetov, podanih v spodnjih navodilih.
- Kuhinjska napa služi odzračevanju kuhinjskih dimov. Ni primerna za uporabo v druge namene.
- Napa, ki je namenjena odzračevanju, mora biti povezana s primernim ventilacijskim kanalom (ne sme biti povezan z delujočimi kanali za kamin, dim ali paro). Napa zahteva instalacijo odvodne cevi, po kateri zrak potuje ven. Dolžina napeljave (najpogosteje cev \varnothing 120 mm ali 150 mm) ne sme biti daljša od 4-5 m. Pri teleskopskih in vgradnih napah v obtočnem načinu je zahtevan tudi izhod za odvod zraka.
- Obtočna napa zahteva instalacijo filtra na osnovi aktivnega oglja. V tem primeru ni potrebna instalacija odvodne zračne cevi, priporoča pa se montaža usmerjevalnika smeri zraka (samo za kaminske nape).
- K napi spada neodvisna osvetlitev in izvlečni ventilator z možnostjo nastavitve ene izmed nekaj obratovalnih hitrosti.
- Odvisno od različice izdelka, je napa namenjena trdni pritrditvi na vertikalni steni nad plinskim ali električnim štedilnikom (kaminske in univerzalne nape); na stropu nad plinskim ali električnim štedilnikom (otočne nape); na vertikalni steni v pohištveni vgradnji nad plinskim ali električnim štedilnikom (teleskopske ali vgradne nape). Pred montažo je potrebno preveriti, če je konstrukcija stene / stropa primerna za instalacijo nape. Nekateri modeli nap so zelo težki.
- Višina namestitve naprave nad električno in plin-

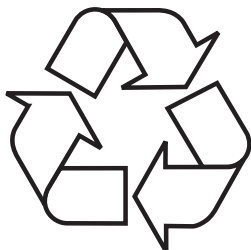
sko kuhalno ploščo je navedena na sliki 1 in v tehničnem listu izdelka.

- Pod kuhinjsko napo ne smete pustiti odprtega plamena, med odmikanjem posod iz štedilnika pa je potrebno ogenj zmanjšati na minimalni plamen. Vedno je potrebno preveriti, da plamen ne sega prek posode, saj to lahko povzroči neželeno izgubo energije in nevarno koncentracijo toplote.
- Jedi kuhane na maščobi morajo biti pod stalnim nadzorom, saj se lahko pregreta maščoba hitro vname.
- Pred vsakršnim čiščenjem, zamenjavo filtra ali pred začetkom popravilnih del, je potrebno vtičak izklopiti iz vtičnice.
- Maščobni filter kuhinjske nape je potrebno čistiti vsaj enkrat mesečno, saj se lahko filter, če je prežet z maščobo, hitro vname.
- Če se v prostoru poleg nape uporablja druge naprave brez električnega napajanja (npr. peči na tekoča goriva, pretočni grelniki vode, grelniki vode na plin) je potrebno zagotoviti zadostno ventilacijo (pritok zraka). Varna uporaba je možna, kadar pri istovrstnem delovanju nape in naprav na kurjavo, odvisnih od zraka v prostoru, na mestu instalacije teh naprav zračni tlak znaša največ 0,004 milibara (ta točka ne velja, kadar je uporabljena obtočna kuhinjska napa).
- Napa ljudem v kuhinji ne sme služiti kot površina za oporo.
- Napa mora biti redno čiščena, tako zunaj kot tudi znotraj (VSAJ ENKRAT MESECNO, z upoštevanjem napotkov, ki se tičejo vzdrževanja iz spodnjih navodil). Neupoštevanje pravil, ki se tičejo čiščenja nape oziroma menjave filtrov, lahko povzroči možnost nevarnosti požara.
- Če se poškoduje napajalni kabel, mora biti zamenjan v specializiranem servisu za popravila.
- Potrebno je zagotoviti možnost izklopa naprave od električne napeljave, bodisi z odklopom vtičca ali izklopom dvopolnega stikala.
- Naprava ni namenjena uporabi za osebe (tudi otroke) z omejeno fizično, senzorično ali psihično zmogljivostjo, ali osebam s pomanjkanjem izkušenj ali poznavanja naprave, razen če se to poč-

ne pod nadzorom ali v skladu z navodili uporabe naprave, ki jih podaja oseba, ki je odgovorna za njihovo varnost.

- Se posebej je potrebno paziti, da otroci brez nadzora ne uporabljajo naprave.
- Preveriti je potrebno, če napetost podana na znakovni tablici odgovarja parametrom napajalnega mesta.
- Pred montažo je električni prevodnik potrebno razviti in poravnati.
- Embalažna materiale (polietilenske vrečke, kose polistirena, itd.), je treba pri razpakiranju hraniti izven dosega otrok.
- Vedno preden napo povežemo je potrebno preveriti, če je bil napajalni kabel pravilno nameščen in NI bil v teku montaže preščišnjen ali prepognjen. Ne povezujte naprave z električno napeljavo pred koncem montaže.
- Uporaba nape brez montaže aluminijastih maščobnih filtrov je prepovedana.
- Pod napo je strogo prepovedana priprava jedi z uporabo odprtega ognja (flambiranje).
- V teku nameščanja tehničnih sredstev in sredstev odtoka dima in hlapov, ki se tičejo varnosti, se je potrebno natančno držati navodil, ki jih podajajo odgovorne lokalne oblasti.
- Vijaki ali utrjevalni elementi, ki niso pritrjeni v skladu s temi navodili, lahko povzročijo nevarnost zdravju ali življenju.
- Viseče nape delujejo le v obtočnem načinu odstranjevanja vonjav
- **POZOR!** Če pri montaži vijakov in pritrdilnih elementov ne upoštevate teh navodil, obstaja nevarnost električnega udara.
- To napravo lahko otroci v starosti 8 let ali več, osebe z omejenimi fizičnimi, senzoričnimi ali psihičnimi sposobnostmi in osebe brez izkušenj ali poznavanja naprave, uporabljajo le kadar so nadzorovane, ali pa so bile poučene na temo varne uporabe naprave in poznajo možne nevarnosti povezane z uporabo naprave. Otroci se ne smejo igrati z napravo. Čiščenja in vzdrževanja naprave ne smejo izvajati otroci, razen če so že dopolnili 8 let in so pod nadzorom odgovorne osebe.

RAZPAKIRANJE



Naprava je bila za čas transporta zaščitena pred poškodovanjem. Prosimo, da po razpakiranju naprave odstranite elemente embalaže na način, ki ne ogroža okolja.

Vsi materiali, uporabljeni za embalažo, so okolju prijazni, v celoti jih je možno reciklirati, kar je označeno z ustreznim simbolom.

Pozor! Embalažna materiale (polietilenske vrečke, kose polistirena, itd.), je treba pri razpakiranju hraniti izven dosega otrok.

ODSTRANJEVANJE IZRABLJENIH NAPRAV



Ta naprava je označena skladno z evropsko direktivo 2012/19/EU. Taka oznaka obvešča, da se zadevne opreme po odrabi ne sme odlagati skupaj z drugimi gospodinjskimi odpadki.

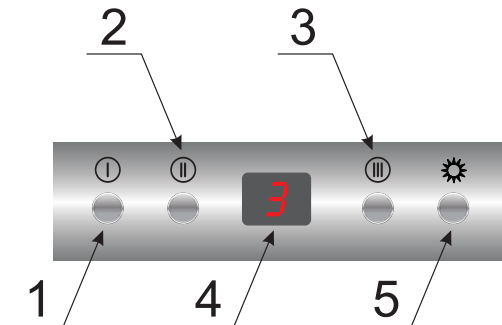
Uporabnik jo je dolžan oddati subjektu, specializiranemu za zbiranje odpadne električne in elektronske opreme. Ti zbiralci odpadkov, v tem lokalna zbirna mesta, trgovine in občinske enote, tvorijo ustrezní sistem, ki omogoča sprejem te odrabljene opreme.

Ustrezno ravnanje z odpadno električno in elektronsko opremo pomaga preprečiti zdravju ljudi in stanju naravnega okolja škodljive posledice, izhajajoče iz prisotnosti v njej nevarnih sestavin in iz neustreznega skladiščenja in predelave take opreme.

UPORABA

Upravljanje s kuhinjsko nabo

Upravljalni panel kuhinjske nape je predstavljen na sliki 3, za dodatno pripomnjenje pa se nahaja tudi spodaj:



Panel za upravljanje

Če želite aktivirati izbrano funkcijo, izvlecite teleskopsko ploščo nape in pritisnite enega od spodnjih gumbov:

- 1- Najnižja hitrost (1). To hitrost uporabite pri majhni količini kuhinjskih izparin.
- 2- Srednje hitrosti (2). To hitrost uporabite pri srednji količini kuhinjskih izparin, na primer pri kuhanju več jedi hkrati.
- 3- Najvišja hitrost (3). To hitrost uporabite pri največji količini izparin, na primer med praženjem ali uporabo žara.
- 4- Ekran, ki kaže izbrano hitrost.
- 5- Vkllop ali izkllop osvetlitve.

Če želite nabo izklopiti, pritisnite gumb aktivnega polja. Potisk teleskopske plošče nazaj noter izklopi tudi motor nape in osvetlitev*.




Štoparica (zakasnjena izključitev nape)


Ta funkcija je namenjena zakasnjnemu izklopu motorja nape. Uporabite to funkcijo po koncu kuhanja, da očistite zrak v prostoru izparin. Čas zakasnitve je približno 15 minut. Če želite vklopiti funkcijo zakasnitve, se med delovanjem nape na poljubni hitrosti dotaknite senzorja z aktivno hitrostjo za minimalno 3 sekunde. Stevilka na ekranu začne utripati. Utripanje signalizira pravilno nastavitve časa zakasnitve izklopa. Če želite funkcijo zakasnitve izklopiti prej, potisnite nazaj noter teleskopsko ploščo. To je enako, kot da bi napravo izklopili. Če želite nadaljevati z njenim delovanjem, ponovno nastavite primerno hitrost.




* Odvisno od modela

Indikator čiščenja aluminijevih filtrov

Če se na ekranu nape pojavi simbol  to pomeni, da moramo aluminijeve filtre očistiti.

Po čiščenju filtrov izklopite prikaz obvestila . S tem namenom se dotaknite in držite simbol  približno 3 sekunde. Po tem dejanju se pojavi simbol  in napravo lahko naprej uporabljate na običajen način.

Pozor: Da bi izklopili prikaz obvestila , napa ne sme biti v načinu delovanja.

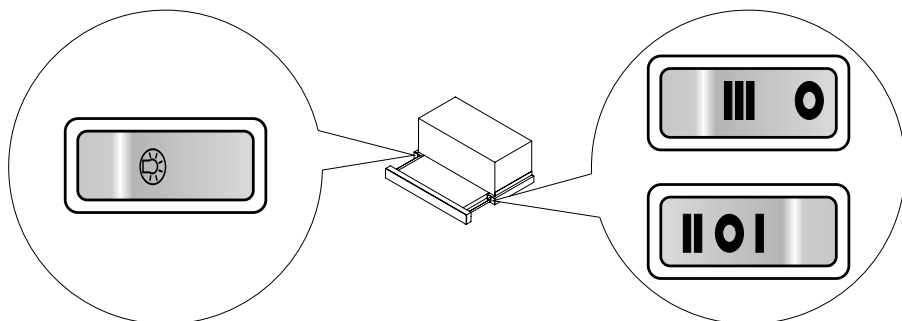
Če želite uporabljati napo ne da bi izbrisali obvestilo , se dotaknite simbola označenega kot , na ekranu se za kratek čas prižge simbol hitrosti, v kateri napa deluje, nato se znova pojavi simbol . Motor nape bo delal naprej.

Pozor: Simbol  se pojavi po približno 60 urah delovanja motorja.

UPORABA

Upravljanje s kuhinjsko nabo

Upravljalni panel kuhinjske nape je predstavljen na sliki 3, za dodatno pripomnjenje pa se nahaja tudi spodaj:




Upravljalni panel je opremljen z gumbi (mehanski). Vidni so, ko izvlečemo sprednji teleskopski del.

Izvlečna napa je opremljena z upravljalnim stikalom. Vsakič, ko potegnete sprednji teleskopski del, napa začne z delovanjem na prej nastavljeni hitrosti.

Možne nastavitve hitrosti (pri izvlečenem sprednjem delu):

- I- Najnižja hitrost. To hitrost uporabite pri majhni količini kuhinjskih izparin.
- II- Srednja hitrost. To hitrost uporabite pri srednji količini kuhinjskih izparin, na primer pri kuhanju več jedi hkrati.
- III- Najvišja hitrost. To hitrost uporabite pri največji količini izparin, na primer med praženjem ali uporabo žara.
- Napa izklopljena (izvlečenje nape ne povzroči zagon motorja nape).

Gumb označen kot  služi vklopu ali izklopu osvetlitve. Osvetlitev v napi deluje neodvisno od motorja nape.

Odvisno od modela upravljalno stikalo povzroči tudi izklop osvetlitve, ko se sprednji del nape potisne nazaj.

Druge pomembne informacije glede navodil za uporabo nape

Delovanje v obtočnem načinu: Pri tej opciji se prefiltriran zrak vrača v prostor prek za to namenjenih odprtin. Pri tej nastavitvi je potrebna montaža filtra na osnovi aktivnega olja oziroma se priporoča montaža usmerjevalnika izpihavanja zraka (dostopnost odvisna od modela, najpogosteje nastopa pri kaminskih napah).

Delovanje odzračevanja: Med odzračevalnim načinom delovanja nape se zrak odvaja ven prek posebnega odvoda. Pri tej nastavitvi je potrebno eventualno odstraniti filter na podstavi aktivnega oglja. Napa je povezana z odvodno cevjo, ki zrak odvaja ven s pomočjo trdne ali elastične cevi premera 150 ali 120 mm in primernih objemk za cevi, ki jih je potrebno kupiti v prodajalnah z inštalacijskimi materiali. Povezavo mora narediti kvalificiran inštalater.

Hitrost ventilatorja Najnižja in srednja hitrost se uporablja pri normalnih pogojih oz. pri majhni količini dima, najvišja hitrost pa naj se uporablja le pri veliki količini kuhinjskih dimov, npr. ob cvrtju ali praženju.

Pozor (tiče se le univerzalnih nap): Struktura univerzalnih nap zahteva ročno zamenjavo načina delovanja nape. Način spremembe tega načina je ilustriran na sliki 8.

Pozor (tiče se le vgradnih in teleskopskih nap): Vgradne in teleskopske nape, ki delujejo v obtočnem načinu zahtevajo montažo odtočne cevi za zrak. Drug konec cevi mora biti usmerjen v prostor, prek te se bo odvajal prefiltriran zrak.

Pozor: Viseče nape delujejo le v obtočnem načinu.

ČIŠČENJE IN VZDRŽEVANJE

Vzdrževanje

Redno vzdrževanje in čiščenje naprave zagotavlja dobro delovanje nape brez okvar in podaljša njeno življenjsko dobo. Potrebno je biti posebej pozoren, da se maščobni filter in filter z aktivnim ogljem čisti in menja v skladu s priporočili proizvajalca.

- Ne uporabljajte mokrih krp ali gobic, niti vode.
- Ne uporabljajte topil ali alkohola, saj lahko ti povzročijo, da polakirana površina postane matirana.
- Predvsem za čiščenje površine izdelane iz nerjavečega jekla ne uporabljajte korozivnih snovi.
- Ne uporabljajte trde, grobe krpe
- Priporoča se uporaba vlažne krpe ali različnih sredstev za pomivanje.

Pozor: Po nekaj pranjih v pralnem stroju se lahko barva aluminijastega filtra spremeni. Sprememba barve ne pomeni nepravilnosti, niti ne zahteva zamenjave filtra.

Maščobni filter

Maščobni filter mora biti pri normalnem delovanju nape očiščen v pomivalnem stroju s pomočjo nežnega detergenta ali tekočega mila.

Demontaža maščobnega filtra je prikazana na sliki 5.

Pri nekaterih modelih je nameščen akrilni filter. Potrebno ga je menjati vsaj enkrat na dva meseca ali pogosteje v primeru izjemno intenzivne uporabe.

Ogljeni filter

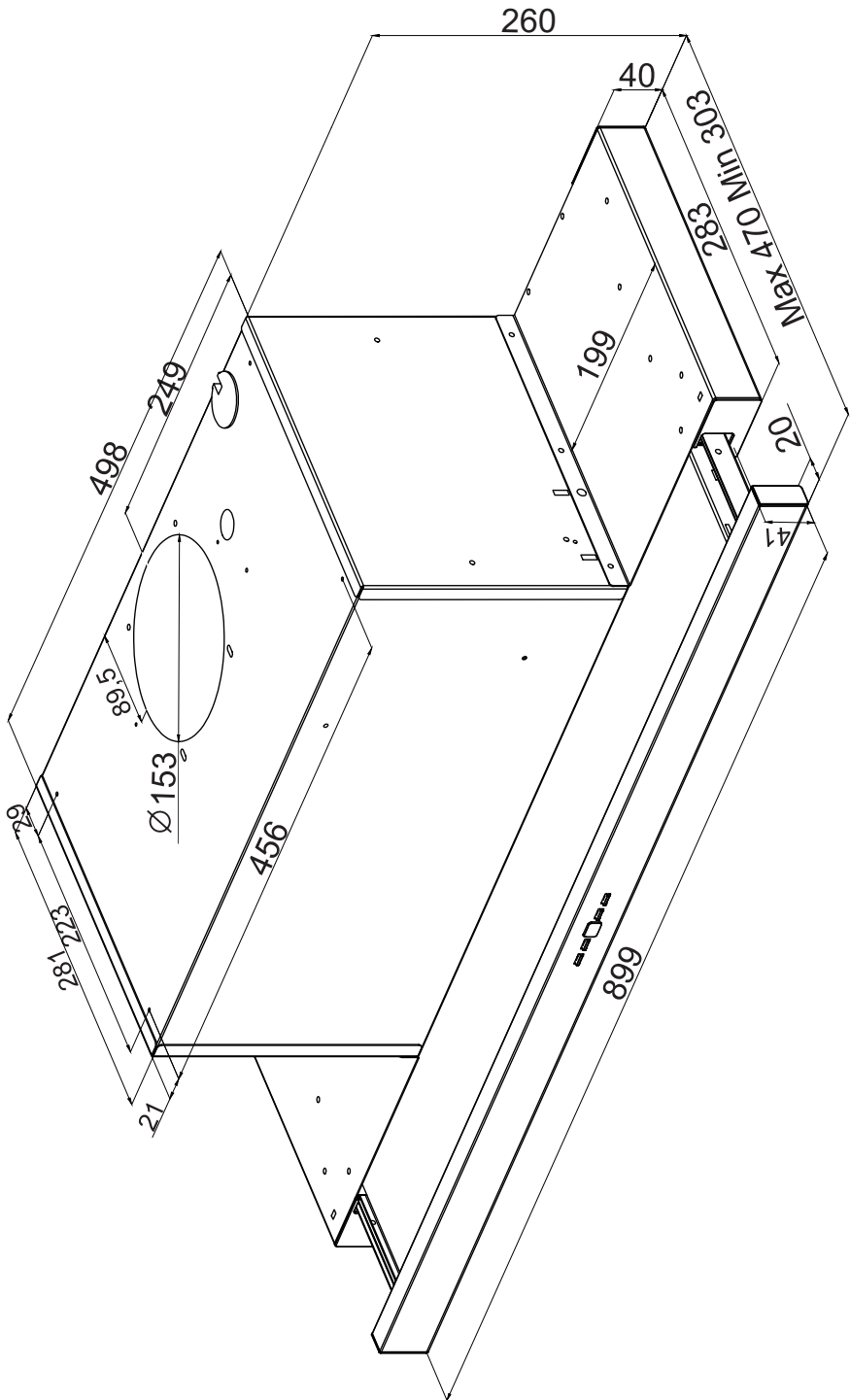
Filter z aktivnim ogljem se namešča izključno takrat, kadar napa ni povezana z ventilacijskim odvodom. Filter z aktivnim ogljem absorbira vonjave vse do zasičenosti. Ni primeren za umivanje, niti za obnovev in mora biti zamenjan vsaj na 3-4 meseca ali pogosteje v primeru izjemno intenzivne uporabe.

Model ogljnega filtra in razstavljanje je prikazan na sliki 6.

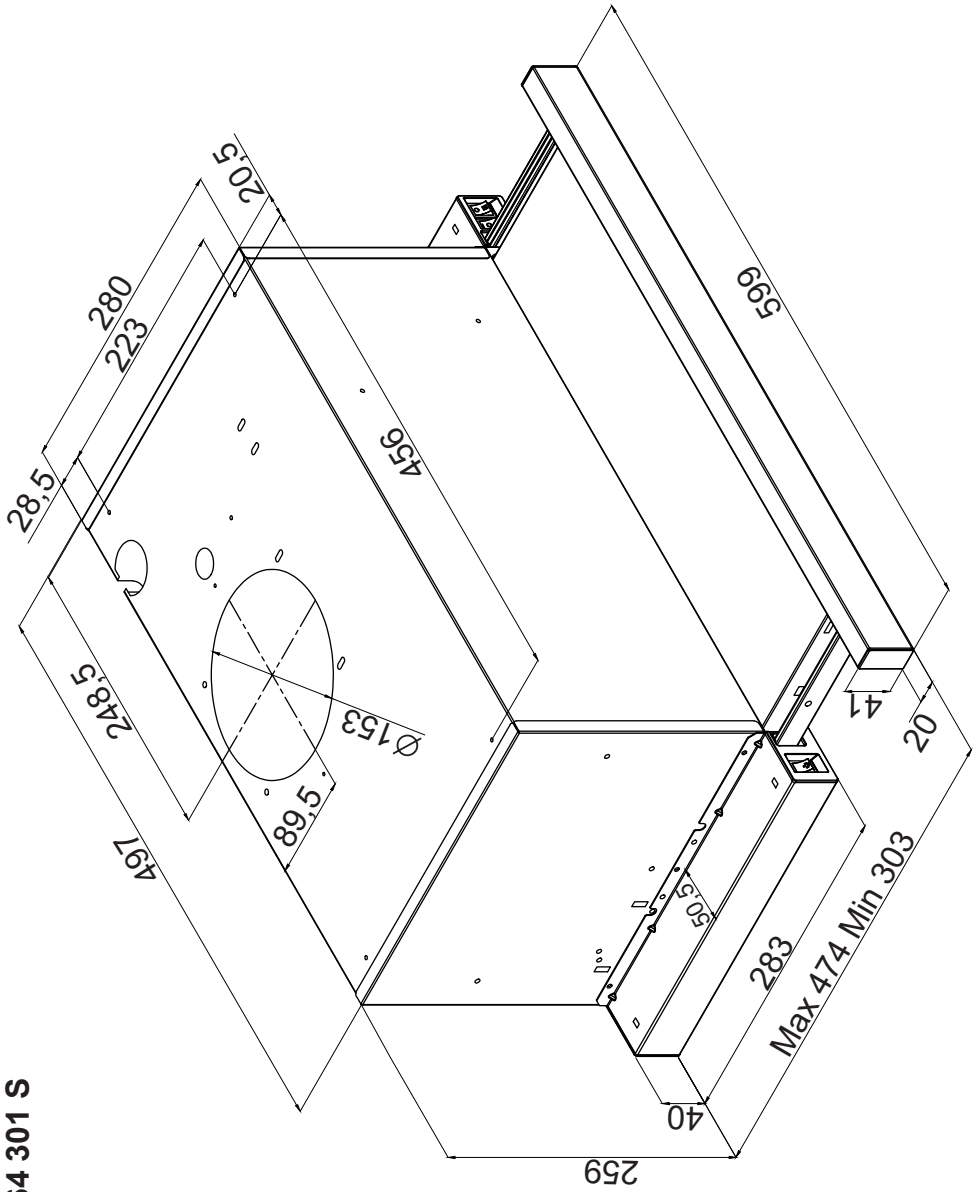
Osvetlitev

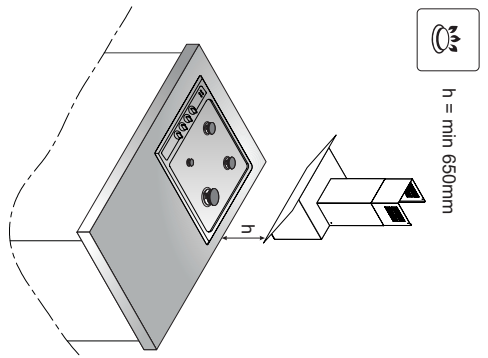
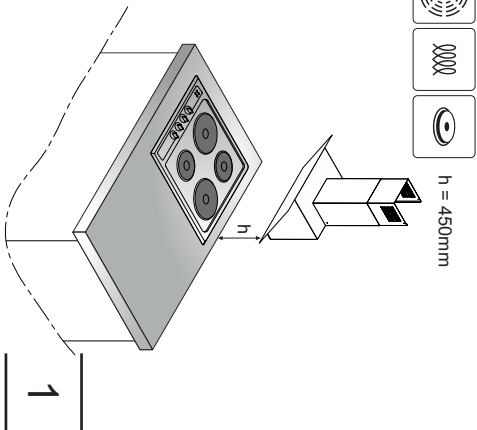
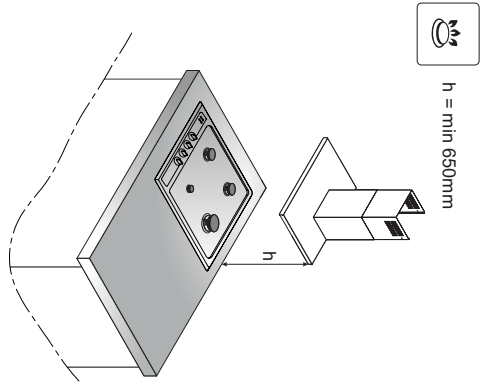
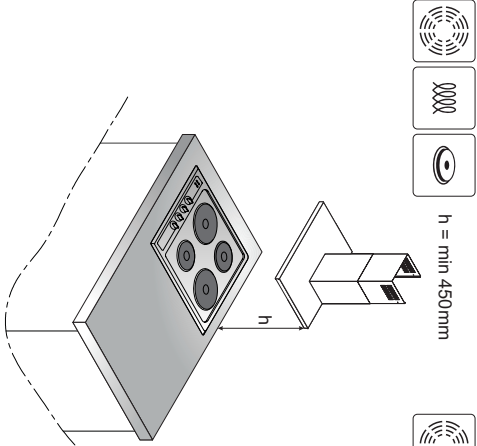
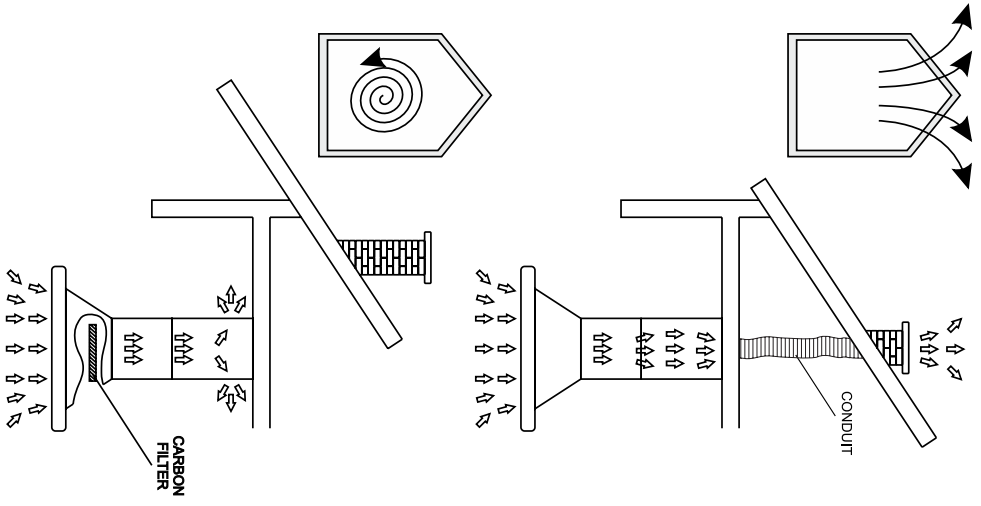
Namestiti je potrebno žarnice / halogenske žarnice / diodne module takšnih parametrov, kakršni so pri tistih, ki so bili v napravo nameščeni tovarniško. Zamenjava luči je prikazana na sliki 7. Če slika ne obstaja v navodilih za uporabo, se zamenjava modula osvetlitve lahko izvede le pri pooblaščenem servisu.

FH 694 621 E / FH 694 621 S

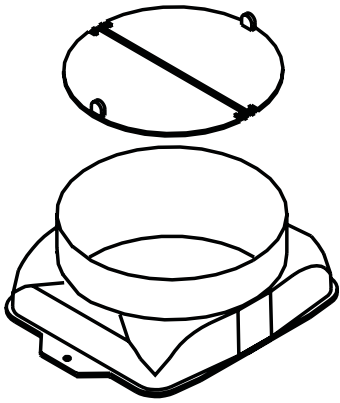


FH 664 301 S

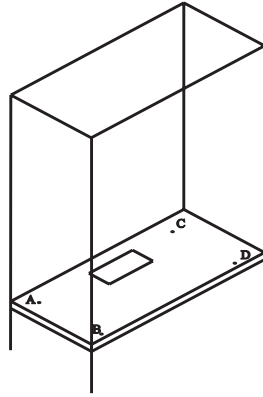




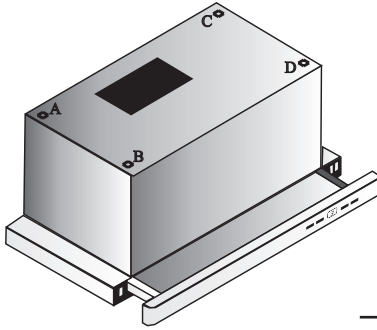
1



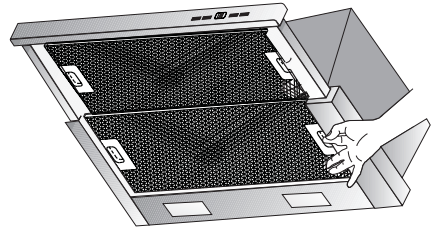
3a



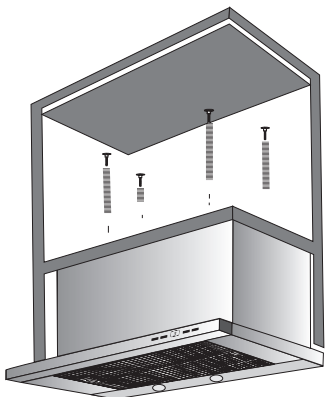
3b



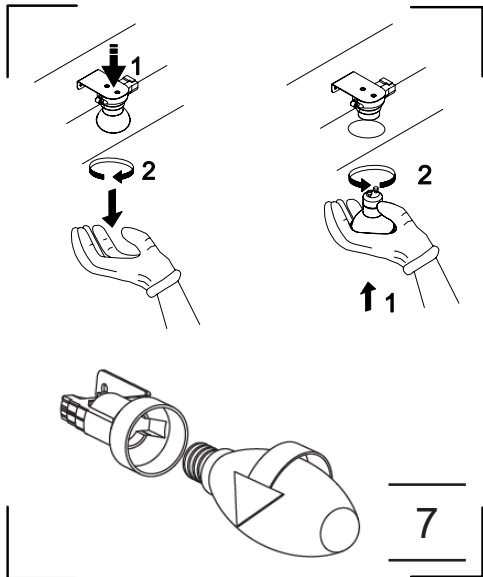
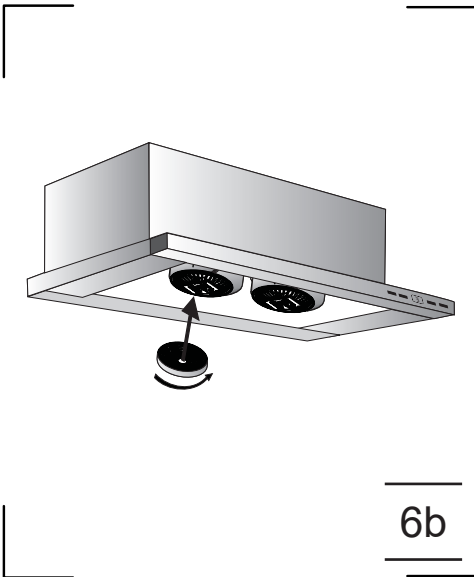
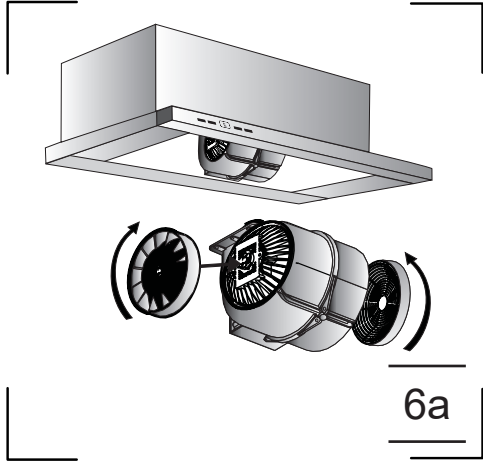
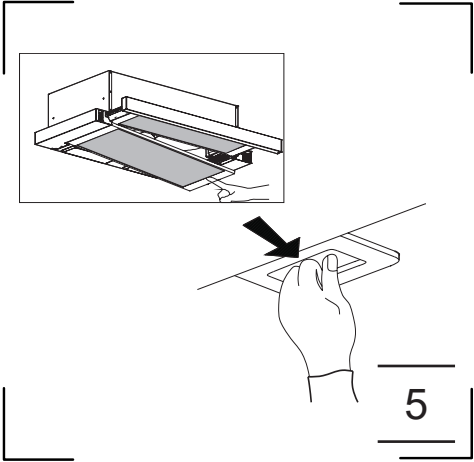
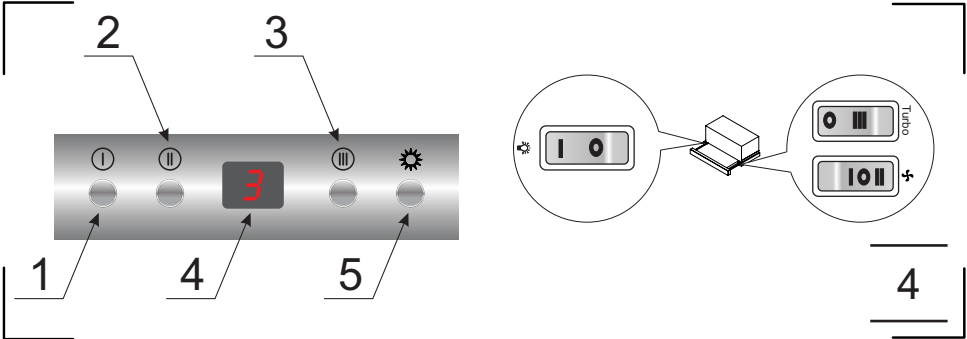
3c



3d



3e



Amica S.A.
ul . Mickiewicza 52 / 64-510 Wronki
tel. 67 25 46 100 / fax 67 25 40 320
www.amica.pl

Amica International GmbH
Lüdinghauser Str. 52
D-59387 Ascheberg
Tel: 0 25 93 - 95 67-0
www.amica-group.de