

Amica

OPERATING INSTRUCTIONS
GEBRAUCHSANWEISUNG
NÁVOD K OBSLUZE
NÁVOD NA OBSLUHU
NOTICE D'UTILISATION
GEBRUIKSAANWIJZING
INSTRUKCJA OBSŁUGI
UPUTE ZA UPORABU
ИНСТРУКЦИЯ ЗА ОБСЛУЖВАНЕ

EN
DE
CS
SK
FR
NL
PL
HR
BG

**Kitchen extractor hood / kaminhaube /
kuchyňského odsavače / kuchynského odsávača /
Hotte aspirante / Afzuigkap / Okap nadkuchenny /
Kuhinjska para / Корпус вытяжки**



**OKC613RW / KH17272W / OKC613RB /
KH17271S / OKC6212RM / SKR 62 OW /
OKC6212RA / SKR 62 AB**



IO-HOO-0043/9
(04.2023)

EN- Table of contents

NOTES ON SAFETY	7
UNPACKING	10
DISPOSAL OF OLD APPLIANCE	10
OPERATION	11
KITCHEN HOOD CONTROLS	11
OTHER IMPORTANT INFORMATION CONCERNING THE OPERATION OF THE HOOD	12
CLEANING AND MAINTENANCE	13
MAINTENANCE	13
GREASE FILTER	13
ACTIVATED CHARCOAL FILTER	13
LIGHT	13
WARRANTY AND AFTER SALES SERVICE	14
WARRANTY	14

DE- Inhaltsverzeichnis

SICHERHEITSHINWEISE	16
AUSPACKEN	20
ENTSORGUNG VON ALTGERÄTEN	20
BEDIENUNG	21
STEUERUNG DER DUNSTABZUGSHAUBE	21
ANDERE WICHTIGE INFORMATIONEN ZUR BEDIENUNG DER DUNSTABZUGSHAUBE	22
REINIGUNG UND WARTUNG	22
WARTUNG	22
FETTFILTER	23
AKTIVKOHLEFILTER	23
BELEUCHTUNG	23
GARANTIE, NACHVERKAUF-SERVICE	24
GARANTIE	24

CS- Obsah

BEZPEČNOSTNÍ POKYNY	26
VYBALENÍ	29
LIKVIDACE OPOTŘEBOVANÝCH ZAŘÍZENÍ	29
OBSLUHA	30
OVLÁDÁNÍ ODSAVAČE	30
JINÉ DŮLEŽITÉ INFORMACE O OBSLUZE ODSAVAČE	31
ČISTĚNÍ A ÚDRŽBA	32
ÚDRŽBA	32
PROTITUKOVÝ FILTR	32
UHLÍKOVÝ FILTR	32
OSVĚTLENÍ	32
ZÁRUKA, POPRODEJNÍ SERVIS	33
ZÁRUKA	33

SK- Obsah

BEZPEČNOSTNÉ POKYNY POUŽÍVANIA	35
ROZBALENIE	39
LÍKVIDÁCIA ZARIADENÍ	39
OBSLUHA	40
OVLÁDANIE ODSÁVAČA	40
INÉ DÔLEŽITÉ INFORMÁCIE TÝKAJÚCE SA POUŽÍVANIA ODSÁVAČA	41
ČISTENIE A ÚDRŽBA	42
KONZERVÁCIA	42
PROTITUKOVÝ FILTER	42
UHLÍKOVÝ FILTER	42
OSVETLENIE	42
ZÁRUKA, POPREDAJNÝ SERVIS	43
ZÁRUKA	43

FR- Table des matières

INDICATIONS CONCERNANT LA SÉCURITÉ D'UTILISATION	45
DÉBALLAGE	49
ÉLIMINATION DES APPAREILS USAGÉS	49
EXPLOITATION	50
COMMANDE DE LA HOTTE	50
AUTRES INFORMATIONS IMPORTANTES RELATIVES À L'UTILISATION DE LA HOTTE	51
NETTOYAGE ET ENTRETIEN	52
ENTRETIEN	52
FILTRE À GRAISSE	52
FILTRE À CHARBON	52
ÉCLAIRAGE	52
GARANTIE, SERVICE APRÈS-VENTE	53
GARANTIE	53

NL- Inhoudsopgave

AANWIJZINGEN VOOR VEILIG GEBRUIK	55
UITPAKKEN	59
VERWIJDERING VAN GEBRUIKTE APPARATUUR	59
BEDIENING	60
BEDIENING VAN DE AFZUIGKAP	60
ANDERE BELANGRIJK INFORMATIE OVER DE BEDIENING VAN DE AFZUIGKAP	61
REINIGING EN ONDERHOUD	62
ONDERHOUD	62
ANTIVETFILTER	62
ACTIEVE KOOLFILTER	62
VERLICHTING	62
GARANTIE, SERVICE	63
GARANTIE	63

PL- Spis treści

WSKAZÓWKI DOTYCZĄCE BEZPIECZEŃSTWA	65
ROZPAKOWANIE	69
USUWANIE ZUŻYTYCH URZĄDZEŃ	69
OBSŁUGA	70
STEROWANIE OKAPEM	70
INNE WAŻNE INFORMACJE DOTYCZĄCE OBSŁUGI OKAPU	71
CZYSZCZENIE I KONSERWACJA	72
KONSERWACJA	72
FILTR PRZECIWTŁUSZCZOWY	72
FILTR WĘGLOWY	72
OŚWIETLENIE	72
GWARANCJA, OBSŁUGA POSPRZEDAŻOWA	73
GWARANCJA	73

HR - Kazalo

SIGURNOSNE NAPOMENE	75
UKLANJANJE PAKIRANJA	78
ZBRINJAVANJE POTROŠENIH UREĐAJA	78
UPORABA	79
UPRAVLJANJE NAPOM	79
OSTALE VAŽNE INFORMACIJE O UPORABI NAPE	80
ČIŠĆENJE I ODRŽAVANJE	81
ODRŽAVANJE	81
FILTER PROTIV MASNOĆE	81
UGLJENI FILTER	81
RASVJETA	81
JAMSTVO, POSLIJEPRODAJNE AKTIVNOSTI	82
JAMSTVO	82

BG - Съдържание

ПРЕПОРЪКИ ОТНОСНО БЕЗОПАСНОСТТА	84
РАЗОПАКОВАНЕ	88
ОБЕЗВРЕЖДАНЕ НА ИЗНОСЕНИ УРЕДИ	88
ОБСЛУЖВАНЕ	89
УПРАВЛЕНИЕ НА АБСОРБАТОРА	89
ДРУГИ ВАЖНИ ИНФОРМАЦИИ ЗА ОБСЛУЖВАНЕТО НА АБСОРБАТОРА	90
ПОЧИСТВАНЕ И ПОДДРЪЖКА	91
ПОДДРЪЖКА	91
ФИЛТЪР ЗА МАЗНИНИ	91
ВЪГЛЕН ФИЛТЪР	91
ОСВЕТЛЕНИЕ	91
ГАРАНЦИЯ, СЛЕД ПРОДАЖБЕНО ОБСЛУЖВАНЕ	92
ГАРАНЦИЯ	92

Dear customer,

From now on, your daily housework will be easier than ever before. Your appliance **Amica** is exceptionally easy to use and extremely efficient. After reading these Operating Instructions, operating the appliance will be easy.

Before being packaged and leaving the manufacturer, the appliance was thoroughly checked with regard to safety and functionality.

Before using the appliance, please carefully read these Operating Instructions. By following these instructions carefully you will be able to avoid any problems in using the appliance. It is important to keep these Operating Instructions and store them in a safe place so that they can be consulted at any time.

Follow these instructions carefully in order to avoid possible accidents.

Sincerely,

Amica

NOTES ON SAFETY

- Before using the appliance, please carefully read this manual!
- The appliance is designed for household use only.
- The manufacturer reserves the right to introduce changes, which do not affect operation of the appliance.
- The manufacturer shall not be liable for any damage or fire caused by the appliance resulting from failure to follow instructions in this manual.
- Cooker hood is designed to remove cooking odours. Do not use cooker hood for other purposes.
- Connect the cooker hood operating in extraction mode to a suitable ventilation duct (do NOT connect the cooker to smoke or flue gas ducts, which are in use). It requires installation of the air extraction duct to the outside. The length of the duct (usually a pipe of Ø 120 or 150 mm) should not be longer than 4-5 m. An air extraction duct is also required for telescopic and furniture hoods in absorption mode.
- Cooker hood operating in air recirculation mode requires the installation of an activated charcoal filter. In this case, installing an extractor duct is not required, however it is recommended to install an air guide vane (Mainly in chimney cooker hoods).
- The cooker hood features independent lighting and exhaust fan that can be operated at one of several speeds.
- Depending on the type, the hood is designed to be permanently attached to a vertical wall over a gas or electric stove (chimney and universal hoods); on the ceiling over a gas or electric stove (island hoods); on the vertical built in furniture over a gas or electric stove (telescopic and built-in hoods). Before installing, make sure that the wall/ceiling structure is strong enough to suspend the hood. Some hoods are very heavy.

- For details of the installation distance above an electric hob please refer to product technical sheet. If the installation instructions of the gas cooker specify a greater distance, this must be taken into account (Fig. 1).
- Do not leave an open flame under the hood. When the pots are removed from the burner, set the minimum flame. Always make sure that the flame does not extend outside the pot, because it causes unwanted loss of energy and a dangerous concentration of heat.
- When cooking on fat, supervise the pans constantly, because overheated fat can ignite.
- Unplug the appliance before any cleaning, replacing the filter or repair work.
- Cooker hood grease filter should be cleaned at least once a month, because the filter saturated with fat is flammable.
- Ensure adequate ventilation (air flow) if other equipment such as liquid fuel stoves or heaters are operated in the room in addition to the cooker hood. When the cooker hood is simultaneously operated with burning appliances requiring adequate fresh air from the room to work properly, their safe operation is possible if under pressure around these appliances is a maximum of 0.004 mbar (this does not apply when the cooker hood is used as an odour filter).
- Do not lean on the hood.
- The hood should be cleaned regularly both inside and out (AT LEAST ONCE A MONTH, following the indications concerning maintenance provided in this manual).. Failure to adhere to the rules concerning cleaning the hood and replacing filters results in a fire risk.
- If the power cord is damaged it should be replaced by a specialised service centre.
- Ensure that it is possible to disconnect the appliance from the mains by removing the plug or switching off the bi-polar switch.
- This appliance is not intended for use by persons (including children) with physical, mental or sensory handicaps, or by persons inexperienced or

unfamiliar with the appliance, unless under supervision or in accordance with the instructions as communicated to them by persons responsible for their safety.

- Particular attention should be paid not to allow unaccompanied children to use the appliance.
- Make sure voltage indicated on the nameplate corresponds to the local mains supply voltage.
- Before use, extend and straighten the power cord.
- Packaging materials (bags, polyethylene, polystyrene, etc.) should be kept away from children during unpacking.
- Before connecting the hood to the mains power supply always check that the power cord is properly installed and is not trapped by the appliance. Do not connect the appliance to the mains until assembly is complete.
- Do not operate your kitchen hood without the aluminium grease filters.
- It is strictly forbidden to cook dishes under on an open flame (flambé) under your kitchen hood.
- Always strictly adhere to regulations issued by the competent local authorities regarding the technical and safety requirements for fume extraction.
- Failing to tighten bolts and fasteners in accordance with these instructions may endanger life and health.
- Hanging kitchen hoods operate only in air circulation / odour absorber mode
- **WARNING!** Failure to install the screws or fixing device in accordance with these instructions may result in electrical hazards.
- This appliance can be used by children aged 8 years and older or by persons with physical, mental or sensory handicaps, or by those who are inexperienced or unfamiliar with the appliance, provided they are supervised or have been instructed how to safely use the appliance and are familiar with risks associated with the use of the appliance. Ensure that children do not play with the appliance. Cleaning and maintenance of the appliance should not be performed by children unless they are 8 years or older and are supervised by a competent person.

UNPACKING

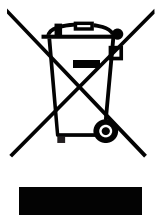


During transportation, protective packaging was used to protect the appliance against any damage. After unpacking, please dispose of all elements of packaging in a way that will not cause damage to the environment.

All materials used for packaging the appliance are environmentally friendly; they are 100% recyclable and are marked with the appropriate symbol.

Important! Packaging materials (bags, polyethylene, polystyrene, etc.) should be kept away from children during unpacking.

DISPOSAL OF OLD APPLIANCE



In accordance with European Directive 2012/19/EU and local legislation regarding used electrical and electronic goods, this appliance is marked with the symbol of the crossed-out waste container. This marking indicates that the appliance must not be disposed of together with other household waste

after it has been used.

The user is obliged to hand it over to waste collection centre collecting used electrical and electronic goods. The collectors, including local collection points, shops and local authority departments provide recycling schemes.

Proper handling of used electrical and electronic goods helps avoid environmental and health hazards resulting from the presence of dangerous components and the inappropriate storage and processing of such goods.

OPERATION

Kitchen hood controls

Control Panel is shown in Figure 4, for reference it is also shown below:



The control panel is equipped with buttons (isostat switch).
To turn on the kitchen hood, press one of the buttons to select the desired speed:

- 1- Low speed. Use this speed when cooking a little food with hardly any fumes.
- 2- Medium speed. Use this speed when cooking multiple dishes at the same time with moderate amount of fumes.
- 3- High speed. Use this speed when frying or grilling, with large amount of fumes.
- 0- Turn off the appliance

Press  to turn the lighting on/off. The lighting operates independently of hood fan.

Other important information concerning the operation of the hood

Operation in air circulation / odour filter mode. In this mode, the filtered air returns to the room through the outlets. Install activated charcoal filter in this setting. It is recommended to install the air guide (available depending on the model, mainly in chimney cooker hoods).

Air extraction operation: When cooker hood operates in extraction mode, air is discharged outside through an extraction duct. Remove activated charcoal filter in this setting. The cooker hood is connected to the air outlet opening using a rigid or flexible extraction duct with a diameter of 150 or 120 mm, and the appropriate clamps, which must be purchased at a hardware store. The appliance should be installed by a qualified installer.

Fan speed: Lowest and medium fan speed is used in normal conditions and less intense odours, while the highest speed is used only when cooking odours are very intense, such as during frying or grilling.

Note (applies to universal hoods only): Due to the design of universal hoods you need to manually change the mode of operation. See Figure 8 for instructions on how to change the mode.

Note (only applies to telescopic and in-built kitchen hoods): Furniture and telescopic cooker hoods operating in air recirculation mode require installation of the exhaust duct. The other end of the duct should be directed to the room as it will discharge filtered air.

Note: Hanging kitchen hoods operate only in air circulation / odour absorber mode

CLEANING AND MAINTENANCE

Maintenance

Regular maintenance and cleaning of the appliance will ensure trouble-free operation of the cooker hood and extend its life. Especially make sure that the grease filter and activated charcoal filter are replaced according to manufacturer's recommendations.

- Do not use a soaked cloth, sponge, or water jet.
- Do not use solvents or alcohol, as they may tarnish lacquered surfaces.
- Do not use caustic substances, especially for cleaning stainless steel.
- Do not use a rough or abrasive cloth.
- It is recommend to use a damp cloth and a neutral detergent.

Note: After several washes in the dishwasher, the colour of the aluminium filter may change. The change of colour does not indicate improprieties or the necessity to change it.

Grease filter

For normal hood operation, grease filter should be cleaned every month in the dishwasher or by hand using a mild detergent or liquid soap.

Dismantling of grease filter is shown on Figure 5.

Acrylic filter is used in some models. This filter should be replaced at least once every 2 months or more frequently if the appliance is used intensively.

Activated charcoal filter

Charcoal filter is used only when the cooker hood is not connected to the ventilation duct. Activated charcoal filter can absorb odours until saturated. Charcoal filter is not suitable for washing or regeneration and should be replaced at least once every 3-4 months or more frequently if the appliance is used intensively.

Dismantling of charcoal filter is shown on Figure 6.

Light

Use incandescent / halogen / LED modules of the same specification as those factory-installed in the appliance. See Figure 7 for details how to replace lights. If there is no such figure in this manual, please contact authorised service to replace the lighting module.

WARRANTY AND AFTER SALES SERVICE

Warranty

The manufacturer shall not be held liable for any damage caused by improper use of the product.

Service

- The manufacturer recommends that all repairs and adjustments be carried out by the Factory Service Technician or the Manufacturer's Authorized Service Point. For safety reasons, repairs should be referred to professionals.
- Repairs carried out by unqualified persons may seriously endanger the appliance user.
- The minimum warranty period for the appliance offered by the manufacturer, importer or authorized representative is given in the warranty card.
- The warranty shall be void if you make any independent adaptations or alterations, tamper with seals or other appliance safety devices or its parts or interfere with the appliance contrary to operating instructions.

In the event of appliance malfunction, request assistance or repair.

If your appliance needs repair, please contact the service centre. Please see website for address and contact details of our service centre. Before contacting us, please have ready the appliance serial number, which can be found on the identification sticker: For your convenience, please write it down below:

--	--	--	--	--	--	--	--	--	--	--	--	--	--	--	--	--	--	--	--	--

Certificate of compliance CE and UKCA

The Manufacturer hereby declares that this product complies with the general requirements pursuant to the following European Directives and analogous UK requirements:

- The Low Voltage Directive 2014/35/EC / Electrical Equipment (Safety) Regulations 2016.
- Electromagnetic Compatibility Directive 2014/30/EC / Electromagnetic Compatibility Regulations 2016.
- ErP Directive 2009/125/EC / The Ecodesign for Energy-related Products Regulations 2010 (as amended) for the applicable implementing measures which apply in Great Britain and Northern Ireland, respectively.

and therefore the product has been marked with **CE** and **UKCA** symbols and the Declaration of Conformity, the Manufacturer has drawn up the declaration and is available to the competent authorities regulating the market.

Sehr geehrter Kunde,

Von heute an werden Ihre alltäglichen Pflichten einfacher denn je. Dieses Gerät **Amica** ist eine Verbindung einer außergewöhnlich leichten Bedienung und einer perfekten Effizienz. Nachdem Sie diese Bedienungsanleitung gelesen haben, ist die Bedienung des Gerätes kein Problem mehr.

Bevor das Gerät das Herstellerwerk verlassen konnte, wurde er vor dem Verpacken gründlich auf deren Sicherheit und Funktionalitäten an Prüfständen überprüft.

Bevor das Gerät in Betrieb genommen wird, lesen Sie bitte die Bedienungsanleitung aufmerksam durch. Befolgen Sie die darin stehenden Hinweise, vermeiden Sie verschiedene Bedienfehler. Diese Bedienungsanleitung ist zu erhalten und so aufzubewahren, dass sie jederzeit bei der Hand ist.

Zur Vermeidung möglicher Unfälle befolgen Sie die in der Bedienungsanleitung stehenden Hinweise genau.

Mit freundlichen Grüßen

Amica

SICHERHEITSHINWEISE

- Bitte lesen Sie diese Anleitung vor der Installation des Kaminhaube durch!
- Das Gerät ist ausschließlich für den Einsatz im Haushalt bestimmt.
- Der Hersteller behält sich das Recht vor, Änderungen vorzunehmen, die die Gerätefunktion nicht beeinträchtigen.
- Der Hersteller übernimmt keine Haftung für eventuelle Schäden oder Brände, die durch das Gerät verursacht wurden und sich aus der Nichtbeachtung der in dieser Gebrauchsanweisung angegebenen Hinweise ergeben.
- Die Dunstabzugshaube dient zur Abführung von Gerüchen und Dämpfen. Verwenden Sie die Dunstabzugshaube nicht zu anderen Zwecken.
- Beim Abluftbetrieb muss die Dunstabzugshaube an einen entsprechenden Lüftungskanal angeschlossen werden (nicht an betriebsaktive Kamin-, Rauch- oder Abgaskanäle anschließen!). Es ist dabei erforderlich, eine Leitung zur Abführung der Abluft nach außen zu installieren. Diese Abluftleitung (meistens ein Rohr mit einem Durchmesser von Ø 120 oder 150 mm) sollte maximal 4-5 m lang sein. Die Abluftleitung ist auch bei Teleskop- und Möbeldunstabzugshauben bei Umluftbetrieb erforderlich.
- Beim Umluftbetrieb muss der Aktivkohlefilter installiert werden. In diesem Fall ist es nicht mehr erforderlich, die Leitung zur Abführung der Abluft zu installieren. Zu empfehlen ist dagegen die Montage des Umlenkblechs für die Abluft (nur bei Kaminabzugshauben).
- Die Dunstabzugshaube verfügt über eine unabhängige Beleuchtung sowie einen Abluftventilator mit der Möglichkeit der Einstellung einer der mehreren Leistungsstufen.

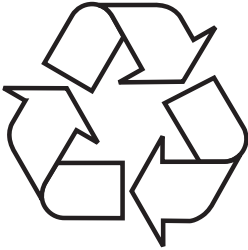
- Je nach der Version des Gerätes ist die Dunstabzugshaube für eine dauerhafte Anbringung an einer vertikalen Wand über einem Gas- oder Elektroherd (Kaminabzugshauben und Universalabzugshauben); unter der Decke über einem Gas- oder Elektroherd (Inselabzugshauben); an einer vertikalen Wand in einem Möbelstück über einem Gas- oder Elektroherd (Teleskop- und Möbeldunstabzugshauben) bestimmt. Vergewissern Sie sich vor der Montage, ob die Wand- oder Deckenkonstruktion für die Montage der Dunstabzugshaube geeignet ist und standhalten kann. Manche Modelle der Dunstabzugshauben sind sehr schwer.
- Die Montagehöhe über dem Elektroherd ist im Produktdatenblatt (in der technischen Spezifikation des Gerätes) angegeben. Sollte in der Montageanleitung für Gasherde ein größerer Abstand angegeben sein, so muss dies berücksichtigt werden (Abb. 1).
- Vermeiden Sie offene Flammen unter der Dunstabzugshaube. Wenn Sie das Kochgeschirr von der Gaskochstelle nehmen, stellen Sie die Flamme zuvor auf Minimum. Sorgen Sie immer dafür, dass die Flamme keinesfalls über das Kochgeschirr hinausragt, sonst kommt es zu unerwünschten Energieverlusten und zur gefährlichen Konzentration von Wärme.
- Die Zubereitung der Gerichte mit Fetten muss stets unter Aufsicht erfolgen, da das überhitzte Fett sich schnell selbst entzünden kann.
- Vor jeder Reinigung, Filterwechsel oder vor Durchführung von Reparaturen trennen Sie das Gerät von der Stromversorgung, indem Sie den Stecker aus der Steckdose ziehen.
- Der Fettfilter der Dunstabzugshaube ist mindestens einmal monatlich zu reinigen, denn er ist leicht entzündlich, wenn er überfettet ist.
- Sollten im Raum gleichzeitig sowohl die Abzugshaube als andere nicht mit Strom gespeiste Geräte (z.B. Öfen für flüssige Brennstoffe, Durch-

lauferhitzer, Thermen) betrieben werden, muss für eine ausreichende Belüftung des Raumes (Luftzufuhr) gesorgt werden. Ein sicherer Betrieb der Abzugshaube ist nur dann möglich, wenn bei gleichzeitigem Betrieb der Dunstabzugshaube und anderer, luftverbrauchender Geräte, der Unterdruck in ihrer direkten Nähe den Wert von max. 0,004 mB erreicht (dieser Wert gilt nicht bei Umluftbetrieb der Dunstabzugshaube).

- Die Dunstabzugshaube darf nicht als Stützfläche für Personen, die sich gerade in der Küche befinden, genutzt werden.
- Die Dunstabzugshaube sollte sowohl von außen als auch von innen oft (MINDESTENS EINMAL PRO MONAT, unter Beachtung der in dieser Gebrauchsanweisung angegebenen Hinweise zur Wartung des Gerätes) gereinigt werden. Bei Nichtbeachtung der Grundsätze, die die Reinigung der Dunstabzugshaube und den Filterwechsel betreffen, entsteht Brandgefahr.
- Wird das Netzkabel beschädigt, muss es in einer Fachwerkstatt neu besorgt werden.
- Die Möglichkeit der Trennung des Gerätes vom Stromnetz durch Ziehen des Steckers aus der Steckdose oder durch Ausschalten des bipolaren Schalters muss gewährleistet werden.
- Dieses Gerät darf nicht von Personen (einschließlich Kindern) bedient werden, die unter geistigen oder körperlichen Behinderungen leiden oder die nicht über ausreichende Erfahrungen in der Bedienung solcher Geräte verfügen. Eine Ausnahme kann gemacht werden, wenn solche Personen unter Aufsicht eines Verantwortlichen mit dem Gerät arbeiten und/oder gründlich in die Bedienung eingewiesen wurden.
- Es ist besonders darauf zu achten, dass die Kinder ohne Aufsicht das Gerät nicht nutzen.
- Prüfen Sie, ob die auf Typenschild gemachten Angaben zur Spannung den örtlichen Parametern der Stromversorgung entsprechen.
- Das Netzkabel vor der Montage ausrollen und begradigen.

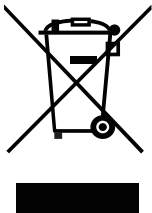
- Die Verpackungsmaterialien (Polyethylenbeutel, Styroporstücke usw.) sind beim Auspacken außer Kinderreichweite zu halten.
- Vor Anschluss der Dunstabzugshaube ans Stromnetz muss immer kontrolliert werden, ob das Netzkabel ordnungsmäßig installiert und während der Montagearbeiten durch die Dunstabzugshaube NICHT eingeklemmt wurde. Vor der Beendigung der Montage darf das Gerät ans Stromnetz nicht angeschlossen werden.
- Es ist verboten, die Dunstabzugshauben ohne installierte Aluminiumfettfilter zu nutzen.
- Es ist streng verboten, Gerichte unter Einsatz offenen Feuers (Flambieren) unter der Dunstabzugshaube zuzubereiten.
- Hinsichtlich der erforderlichen technischen und Sicherheitsmittel im Bereich der Ableitung von Abgasen sind die von den zuständigen Behörden erlassenen Vorschriften streng einzuhalten.
- Wenn die Schrauben und Befestigungselemente entsprechend den vorliegenden Hinweisen und Anleitungen nicht nachgezogen werden, kann dies eine Gefahr für Gesundheit und Leben darstellen.
- Die hängenden Dunstabzugshauben arbeiten nur im Umluftbetrieb.
- ACHTUNG! Schrauben und Befestigungselemente, die nicht in Übereinstimmung mit diesen Hinweisen sind, können zur elektrischen Gefährdung führen.
- Das Gerät kann von Kindern ab 8 Jahren und Personen mit eingeschränkten physischen, sensorischen oder geistigen Fähigkeiten oder mit mangelnder Erfahrung und Unkenntnis verwendet werden, wenn sie in die sichere Verwendung des Geräts eingewiesen wurden und sie die mit ihm verbundenen Gefahren verstanden haben. Kinder dürfen nicht mit dem Gerät spielen. Die Reinigung und Wartung des Gerätes dürfen von Kindern nicht erfolgen, es sei denn, dass sie das 8. Lebensjahr vollendet haben und von einer zuständigen Person beaufsichtigt wurden.

AUSPACKEN



Das Gerät wird gegen Transportschäden geschützt. Nach dem Auspacken sind die Verpackungsmaterialien so zu entsorgen, dass dadurch kein Risiko für die Umwelt entsteht. Alle Materialien, die zur Verpackung verwendet werden, sind umweltverträglich, können hundertprozentig wiederverwertet werden und sind mit entsprechendem Symbol gekennzeichnet. Hinweis! Die Verpackungsmaterialien (Polyethylenbeutel, Styroporstücke usw.) sind beim Auspacken außer Kinderreichweite zu halten.

ENTSORGUNG VON ALTGERÄTEN



Dieses Gerät wurde gemäß der Europäischen Richtlinie 2012/19/EG. Eine solche Kennzeichnung informiert darüber, dass dieses Gerät nach dem Ablauf des Nutzungszeitraumes nicht zusammen mit anderen Hausabfällen gelagert werden darf. Der Benutzer ist verpflichtet, das Gerät an einem Sammelpunkt für verschlissene elektrische und elektronische Geräte abzugeben. Die die Sammlung durchführenden Einheiten, darunter lokale Sammelpunkte, Geschäfte und gemeindeeigene Einheiten, bilden ein entsprechendes System, welches die Abgabe dieses Gerätes ermöglicht. Die richtige Vorgehensweise mit Elektro- und Elektronikschrott trägt zur Verhinderung schädlicher Folgen für die menschliche Gesundheit und die natürliche Umwelt bei, die aus der Anwesenheit von Schadstoffen sowie einer falschen Lagerung und Weiterverarbeitung solcher Materialien folgen.

BEDIENUNG

Steuerung der Dunstabzugshaube

Das Bedienfeld der Dunstabzugshaube wurde auf der Abbildung Nr. 4 dargestellt und zur Erinnerung gibt es dieses auch nachstehend:



0

Das Bedienfeld ist mit Sensoren (Isostat) ausgestattet.

Um die Dunstabzugshaube auszuschalten, wählen Sie eine der nachfolgend geschilderten Stufen durch Drücken der entsprechenden Taste aus:



1

1- Niedrigste Stufe. Wählen Sie diese Stufe, wenn nur wenig Dämpfe entstehen.



2

2- Mittlere Stufe. Wählen Sie diese Stufe bei mittlerer Dampfentstehung, zum Beispiel, wenn Sie mehrere Gerichte gleichzeitig kochen.




3

3- Höchste Stufe. Wählen Sie diese Stufe bei starker Dampfbildung, zum Beispiel beim Braten oder Grillen.

0- Die Dunstabzugshaube wird ausgeschaltet.



Die mit  gekennzeichnete Taste dient zum Ein- und Ausschalten der Beleuchtung. Die Beleuchtung der Dunstabzugshaube funktioniert unabhängig davon, ob der Motor läuft.

Andere wichtige Informationen zur Bedienung der Dunstabzugshaube

Umluftbetrieb: In dieser Betriebsoption kehrt die gefilterte Luft über die daran angepassten Sonderöffnungen in den Raum zurück. Bei dieser Einstellung ist ein Aktivkohlefilter zu installieren und es ist empfehlenswert, das Umlenklech für die Abluft zu montieren (verfügbar je nach dem Modell, vor allem in den Kamindunstabzugshauben vorhanden).

Abluftbetrieb: Bei Abluftbetrieb der Dunstabzugshaube wird die Luft über eine spezielle Leitung hinausgeleitet. Vor der Inbetriebnahme dieses Modus muss der eventuelle Aktivkohlefilter aus dem Gerät entfernt werden. Die Dunstabzugshaube ist an die Lüftungsöffnung mit Hilfe einer steifen oder elastischen Leitung mit einem Durchmesser von 150 mm oder 120 mm und mittels entsprechender Klemmen angeschlossen, die in den Fachgeschäften mit Installationszubehör erhältlich sind. Mit den Anschlussarbeiten ist ein qualifizierter Installateur zu beauftragen.

Geschwindigkeit der Lüfters: Unter normalen Bedingungen und bei geringer Konzentration der Dämpfe wird geringe und mittlere Geschwindigkeit empfohlen. Die höchste Geschwindigkeit sollte dagegen nur bei hoher Konzentration der Dämpfe, z.B. beim Braten oder Grillen, genutzt werden.

Hinweis (dies gilt nur für Universal-Dunstabzugshauben): die Konstruktion der Universal-Dunstabzugshauben erfordert einen manuellen Wechsel der Betriebsart der Dunstabzugshaube. Die Art, wie die Betriebsart gewechselt wird, ist der Abbildung Nr. 8 zu entnehmen.

Hinweis (dies gilt nur für Möbel- und Teleskopabzugshauben): Beim Umluftbetrieb muss im Falle der Möbel- und Teleskopabzugshauben ein Rohr zur Abführung der Abluft montiert werden. Das andere Rohrende ist in den Raum zu richten, dadurch erfolgt die Abführung der gefilterten Luft.

Hinweis: Die hängenden Dunstabzugshauben arbeiten nur im Umluftbetrieb.

REINIGUNG UND WARTUNG

Wartung

Durch eine regelmäßige Wartung und Reinigung wird ein guter und störungsfreier Betrieb sowie eine optimale Lebensdauer des Gerätes gewährleistet. Bei der Reinigung und beim Wechsel der Fett- und Kohleaktivfilter sind insbesondere die Hinweise der jeweiligen Hersteller zu beachten.

- Verwenden Sie weder nasse Reinigungstücher noch Schwämme noch Wasserstrahl.

- Verwenden Sie weder Lösemittel noch Alkohol, weil die lackierten Oberflächen dadurch matt werden können.
- Verwenden Sie keine ätzenden Stoffe, insbesondere bei der Reinigung von Oberflächen aus nichtrostendem Stahl.
- Verwenden Sie keine harten, rauen Reinigungstücher
- Zur Reinigung wird feuchtes Tuch sowie neutrale Reinigungsmittel empfohlen.

Hinweis: Nachdem der Aluminiumfilter mehrmals im Geschirrspüler gespült worden ist, kann sich der Farbton des Filters ändern. Die Änderung des Farbtons ist kein Hinweis darauf, dass es unrichtig ist und der Filter gewechselt werden muss.

Fettfilter

Der Aluminiumfettfilter sollte bei einem üblichen Betrieb der Dunstabzugshaube jeden Monat im Geschirrspüler oder per Hand mit einem feinen Reinigungsmittel oder flüssiger Seife gereinigt werden.

Die Demontage des Aluminiumfettfilters wurde in der Abbildung 5 gezeigt.

In manchen Modellen wurde ein Akrylfilter eingesetzt. Dieser ist mindestens alle zwei Monate oder häufiger bei einem durchaus intensiven Gebrauch zu wechseln.

Aktivkohlefilter

Der Kohlefilter wird nur dann eingesetzt, wenn die Dunstabzugshaube an die Lüftungsleitung nicht angeschlossen ist. Der Aktivkohlefilter kann die Gerüche bis zur vollen Sättigung des Filters aufnehmen. Der Aktivkohlefilter ist weder fürs Waschen noch für die Regeneration geeignet und sollte mindestens einmal pro 3-4 Monate oder im Falle einer intensiven Beanspruchung öfter gewechselt werden.

Die Demontage des Aktivkohlefilters wurde in der Abb. 6 gezeigt.

Beleuchtung

Setzen Sie Leuchten / Halogenleuchten / Diodenmodule mit denselben Parametern, wie sie im Gerät werkseitig montiert wurden, ein. Der Wechsel der Beleuchtung wurde in der Abbildung 7 gezeigt. Wenn die Abbildung in dieser Anleitung nicht vorhanden ist, darf das Beleuchtungsmodul nur durch eine autorisierte Servicestelle durchgeführt werden.

GARANTIE, NACHVERKAUF-SERVICE

Garantie

Garantieleistungen laut Garantieschein. Der Hersteller übernimmt keine Haftung für Schäden, die durch den unsachgemäßen Betrieb des Produkts entstanden sind.

Wartung

- Der Hersteller empfiehlt, jegliche Reparaturen und Einstellarbeiten von einem Werksservice oder einen vom Hersteller autorisierten Kundendienst durchführen zu lassen. Aus Sicherheitsgründen sollten Sie das Gerät nicht selbst reparieren.
- Von Personen ohne die erforderlichen Qualifikationen durchgeführte Reparaturen können für den Gerätebenutzer eine ernste Gefahr verursachen.
- Die vom Hersteller, Einführer oder Vertragshändler gewährte Mindestgarantiezeit für das Gerät ist im Garantieschein angegeben.
- Im Fall unbefugter Anpassungen, Änderungen, der Verletzung von Plomben oder anderer Sicherheitsvorrichtungen des Geräts oder Teilen davon, sowie im Fall sonstiger unbefugter Manipulationen am Gerät, die nicht der Bedienungsanleitung entsprechen, verfällt die Garantie für das Gerät.

Reparaturmeldungen und Hilfe bei Fehlern


Wenn das Gerät repariert werden muss, wenden Sie sich bitte an den Kundendienst. Die Adresse und Rufnummer des Kundendienstes sind im Garantieschein angegeben. Halten Sie, wenn Sie den Kundendienst anrufen, bitte die Seriennummer des Geräts bereit. Diese befindet sich auf dem Typenschild. Notieren Sie sich die Seriennummer der Einfachheit halber am besten hier:

--	--	--	--	--	--	--	--	--	--	--	--	--	--	--	--	--	--

CE-Konformitätserklärung

Der Hersteller dieses Produktes erklärt hiermit in alleiniger Verantwortung, dass dieses Produkt den einschlägigen, grundlegenden Anforderungen der nachfolgenden EU-Richtlinien entspricht:

- **Niederspannungsrichtlinie 2014/35/EU**
- **Elektromagnetische Verträglichkeit 2014/30/EU**
- **ErP – Richtlinie 2009/125/EC**
- **Richtlinie RoHS 2011/65/EU**

Das Gerät ist mit dem  Zeichen gekennzeichnet und verfügt über eine Konformitätserklärung zur Einsichtnahme durch die zuständigen Marktüberwachungsbehörden.

Vážený kliente,

počínaje dnešním dnem jsou každodenní povinnosti jednodušší než kdykoli jindy. Zařízení **Amica** je spojením výjimečně snadné obsluhy a vynikající efektivity. Po přečtení návodu nebudete mít problém s obsluhou.

Zařízení, které opustilo továrnu, bylo důkladně zkontrolováno před zabalením z hlediska bezpečnosti a funkčnosti na kontrolních stanovištích.

Před uvedením zařízení do provozu si pozorně přečtěte návod k obsluze. Dodržováním pokynů uvedených v návodu předejdete nesprávnému používání. Návod si ponechte a uschovejte tak, abyste jej měli vždy při ruce.

Dodržujte přesně návod k obsluze, abyste zabránili nešťastným událostem.

S úctou

Amica

BEZPEČNOSTNÍ POKYNY

- Odsavač používejte teprve po přečtení tohoto návodu!
- Zařízení je určeno výlučně pro domácí použití.
- Výrobce si vyhrazuje možnost provádění změn, které nemají vliv na funkčnost zařízení.
- Výrobce nenese žádnou odpovědnost za eventuelní škody nebo požár způsobené zařízením, vyplývající z nedodržování pokynů uvedených v tomto návodu.
- Kuchyňský odsavač slouží k odstraňování kuchyňských výparů. Nepoužívejte jej pro jiné účely.
- Odsavač pracující v odtahovém režimu napojte na příslušný ventilační kanál (nenapojujte na komínové, kouřové nebo spalinové kanály, které jsou v provozu). Odsavač musí mít namontované potrubí odvádějící vzduch ven. Délka potrubí (nejčastěji roura Ø 120 nebo 150 mm) nesmí být delší než 4–5 m. Potrubí odvádějící vzduch se rovněž vyžaduje u teleskopických a nábytkových odsavačů v režimu pohlcovače.
- Odsavač pracující jako pohlcovač vyžaduje filtr s aktivním uhlím. V tomto případě není nutná montáž potrubí odvádějícího vzduch ven, zato se doporučuje namontovat zpětnou klapku vzduchu (pouze komínové odsavače).
- Odsavač má nezávislé osvětlení a odtahový ventilátor s možností nastavení jedné z několika rychlostí otáček.
- V závislosti na verzi zařízení je odsavač určen pro trvalé připevnění na svislou stěnu nad plynový nebo elektrický sporák (komínové a univerzální odsavače); na strop nad plynový nebo elektrický sporák (ostrůvkové odsavače); na svislou stěnu v kuchyňské lince nad plynový nebo elektrický sporák (teleskopické a vestavné odsavače). Před montáží se ujistěte, že konstrukce stěny/stropu udrží hmotnost odsavače. Některé modely odsavačů jsou velmi těžké.
- Montážní výška zařízení nad elektrickou deskou

je uvedena v technickém listu (technické specifikaci zařízení). Pokud v montážních návodech plynových zařízení je uvedena větší vzdálenost, zohledněte to (Obr. 1).

- Pod kuchyňským odsavačem nenechávejte otevřený plamen při odsávání nádobí z hořáku, nastavte minimální plamen. Vždy zkontrolujte, zda plamen nepřesahuje přes okraj nádoby, protože to způsobuje nežádoucí ztráty energie a nebezpečnou koncentraci tepla.
- Na pokrmy připravované na tuku neustále dohlížejte, protože rozehrátý tuk se může snadno vznítit.
- Před každým čištěním, výměnou filtru nebo před zahájením opravy vyjměte zástrčku zařízení ze zásuvky.
- Protitukový filtr do kuchyňského odsavače čistěte alespoň jednou za měsíc, protože nasáknutý tukem je lehce hořlavý.
- Pokud jsou v místnosti v provozu kromě odsavače jiná zařízení s neelektrickým napájením (např. kamna na kapalné palivo, průtokové ohřivače, termy), zajistěte dostatečné větrání (přívod vzduchu). Bezpečné používání je možné, když při současném provozu odsavače a spalovacích zařízení, závislých na vzduchu v místnosti, je v místě postavení těchto zařízení podtlak nanejvýš 0,004 milibaru (tento bod neplatí, pokud kuchyňský odsavač používáte jako pohlcovač pachů).
- Odsavač nemá sloužit jako plocha pro opření se osob nacházejících se v kuchyni.
- Okap často čistěte jak z vnějšku, tak i uvnitř (ALESPON JEDNOU ZA MĚSÍC, s dodržением pokynů ohledně údržby uvedených v tomto návodu). Nedodržování zásad týkajících se čištění odsavače a výměny filtrů způsobuje nebezpečí požáru.
- Pokud se napájecí kabel poškodí, musí být vyměněn ve specializovaném servisu.
- Zajistěte možnost odpojení zařízení od elektrického napájení vytažením zástrčky nebo vypnutím dvoupolového vypínače.
- Toto zařízení není přizpůsobeno používání osobami (včetně dětí) s omezenou fyzickou, smyslovou nebo psychickou schopností nebo osobami s nedostatečnými zkušenostmi a znalostmi zařízení,

ledaže jej používají pod dohledem nebo v souladu s návodem k používání zařízení, předaným osobami zodpovídajícími za jejich bezpečnost.

- Všimněte si pozorně, aby zařízení nepoužívaly děti ponechané bez dozoru.
- Zkontrolujte, zda napětí uvedené na výrobním štítku odpovídá místním parametrům napájení.
- Před montáží roztáhněte a vyrovnejte síťový kabel.
- Obalové materiály (polyetylenové sáčky, pěnový polystyren apod.) nenechávejte při vybalování v dosahu dětí.
- Před připojením odsavače k elektrickému napájení vždy zkontrolujte, zda je síťový kabel správně nainstalován a zda NEBYL přimáčknutý odsavačem při montáži. NEPŘIPOJUJTE zařízení k elektrické síti před ukončením montáže.
- Je zakázáno používat odsavač bez namontovaných hliníkových protitukových filtrů.
- Přísně je zakázáno připravovat pod odsavačem pokrmy na otevřeném ohni (flambování).
- V rámci nutnosti použití technických a bezpečnostních opatření týkajících se odvádění spalin dodržujte přesně předpisy vydané kompetentními místními orgány.
- Neutažení šroubů a upevňovacích prvků podle těchto pokynů může vést k ohrožení zdraví a života.
- Závěsné odsavače fungují pouze v režimu pohlcovače pachů.
- **POZOR!** V případě chybějící instalace šroubů a úchytných prvků dle pokynů uvedených v tomto návodu může dojít k vzniku nebezpečí elektrické povahy.
- To zařízení může být používané dětmi ve věku 8 let a staršími, osoby s omezenými fyzickými anebo mentálními schopnostmi, jak rovněž osoby bez zkušenosti a bez znalosti zařízení, mohou konvici používat, pokud jsou dozorované anebo byly instruovány ohledně obsluhy zařízení bezpečným způsobem a znají ohrožení spojené s používáním zařízení. Děti si nemohou se zařízením hrát. Čištění a konzervace zařízení nemůže být vykonávána dětmi, ledaže skončily 8 let a mají dohled zodpovědné osoby.

VYBALENÍ



Zařízení bylo po dobu přepravy zabezpečeno proti poškození. Po vybalení zařízení odstraňte části obalu způsobem, který neohrožuje životní prostředí.

Všechny materiály použité na obal jsou stoprocentně neškodné pro životní prostředí a jsou vhodné pro zpětné získání a byly označeny příslušným symbolem. Upozornění! Obalové materiály (polyetylenové sáčky, pěnový polystyren apod.) nenechávejte při vybalování v dosahu dětí.

LIKVIDACE OPOTŘEBOVANÝCH ZAŘÍZENÍ



Toto zařízení je označeno v souladu s evropskou směrnicí 2012/19/ES. Takové označení znamená, že toto zařízení se po ukončení životnosti nesmí vyhazovat společně s jiným domácím odpadem.

Uživatel je povinen odevzdat jej do sběrný použitých elektrických a elektronických zařízení. Provádějící sběr, včetně místních sběrů, obchodů a obecních úřadů, tvoří systém umožňující odevzdávání těchto zařízení. Příslušné nakládání s použitými elektrickými a elektronickými zařízeními zabranuje negativním následkům pro lidské zdraví a životní prostředí, vznikajícím z přítomnosti nebezpečných složek a nesprávného skladování a zužitkování takových zařízení.

OBSLUHA

Ovládání odsavače

Ovládací panel odsavače je znázorněn na obrázku 4, pro připomenutí nachází se také níže:



0

Ovládací panel je vybaven tlačítky (izostat). Chcete-li zapnout odsavač, vyberte jednu z níže popsaných rychlostí stisknutím příslušného tlačítka:



1

1- Nejnižší rychlost. Tuto rychlost použijte při malém množství páry.



2

2- Střední rychlost. Tuto rychlost použijte při středním množství páry, například při vaření více pokrmů najednou.



3

3- Nejvyšší rychlost. Tuto rychlost použijte při největším množství páry, například při smažení nebo grilování.



0- Vypne odsavač

Tlačítko označené jako  slouží pro zapnutí nebo vypnutí osvětlení. Osvětlení v odsavači funguje nezávisle na rychlosti motoru.

Jiné důležité informace o obsluze odsavače

Provoz jako pohlčovač: V tomto provozním režimu se přefiltrovaný vzduch vrací zpět do místnosti k tomu přizpůsobenými otvory. Při tomto nastavení nainstalujte uhlíkový filtr a doporučuje se montáž zpětné vzduchové klapky (dostupnost v závislosti na modelu, vyskytuje se hlavně v komínových odsavačích).

Provoz jako odtah: Během odtahového provozního režimu odsavače je vzduch odváděn vně speciálním potrubím. Při tomto nastavení odstraňte eventuální uhlíkový filtr. Odsavač je připojen k otvoru odvádějícímu vzduch ven pomocí tuhého nebo pružného potrubí o průměru 150 mm nebo 120 mm a vhodných svorek k potrubím, které je třeba zakoupit v prodejnách s instalačním materiálem. Připojení svěřte kvalifikovanému pracovníkovi.

Rychlost ventilátoru: Nejnižší a střední rychlost používejte za normálních podmínek a při nízké koncentraci výparů, zatímco nejvyšší rychlost používejte pouze při vysoké koncentraci kuchyňských výparů, např. při smažení nebo grilování.

Poznámka (týká se pouze univerzálních odsavačů): Konstrukce univerzálních odsavačů vyžaduje manuální změnu provozního režimu odsavače. Způsob změny tohoto režimu je znázorněn na obrázku 8.

Poznámka (týká se pouze nábytkových a teleskopických odsavačů): Nábytkové a teleskopické odsavače pracující jako pohlčovač vyžadují montáž roury odvádějící vzduch. Druhý konec roury nasměrujte do místnosti, rourou bude odváděn filtrovaný vzduch.

Upozornění: Závěsné odsavače pracují pouze jako pohlčovač.

ČIŠTĚNÍ A ÚDRŽBA

Údržba

Pravidelná údržba a pravidelné čištění zařízení zajistí správný a bezporuchový provoz odsavače a prodlouží jeho životnost. Věnujte zvláštní pozornost tomu, aby se protitukový filtr a filtr s aktivním uhlím čistily a měnily podle pokynů výrobce.

- Nepoužívejte navlhčené hadříky nebo houby a také proud vody.
- Nepoužívejte rozpouštědla a alkohol, protože by mohly zmatnit lakované povrchy.
- Nepoužívejte leptavé látky, zejména na čištění povrchů z nerezové oceli.
- Nepoužívejte tvrdý, drsný hadřík.
- Doporučuje se používat vlhký hadřík a neutrální čisticí přípravky.

Upozornění: Po několika mytích v myčce se může změnit barva hliníkového filtru. Změna barvy neznamená odchylku a nutnost jeho výměny.

Protitukový filtr

Protitukový filtr čistěte jednou za měsíc během normálního provozu odsavače, v myčce nebo ručně jemným čisticím přípravkem nebo tekutým mýdlem.

Demontáž protitukového filtru je znázorněna na obrázku 5.

U některých modelů se používá akrylový filtr. Měňte jej alespoň jednou za dva měsíce nebo častěji v případě výjimečně intenzivního používání.

Uhlíkový filtr

Uhlíkový filtr používejte pouze v případě, když odsavač není připojen k ventilačnímu kanálu. Filtr s aktivním uhlím má schopnost pohlcovat pachy až do svého nasycení. Není vhodný také k mytí a regeneraci a musí se měnit alespoň jednou za 3-4 měsíce nebo častěji v případě výjimečně intenzivního používání.

Demontáž uhlíkového filtru je znázorněna na obrázku 6.

Osvětlení

Používejte žárovky / halogeny / diodové moduly se stejnými parametry jako u původních namontovaných v zařízení. Výměna žárovek je znázorněna na obrázku 7. Pokud obrázek není v tomto návodu, výměnu osvětlovacího modulu může provést pouze autorizovaný servis.

ZÁRUKA, POPRODEJNÍ SERVIS

Záruka

Záruční plnění podle záručního listu. Výrobce neodpovídá za žádné škody způsobené nesprávným zacházením s výrobkem.

Servis

- Výrobce zařízení doporučuje, aby všechny opravy a seřizovací činnosti prováděl tovární servis nebo autorizovaný servis výrobce. Z bezpečnostních důvodů neopravujte zařízení vlastními silami.
- Opravy osobami bez požadované kvalifikace mohou představovat vážné nebezpečí pro uživatele zařízení.
- Minimální doba platnosti záruky na zařízení nabízené výrobcem, dovozcem nebo oprávněným zástupcem je uvedena v záručním listu.
- Zařízení ztrácí záruku v důsledku svépomocných adaptací, upravy, porušení plomb nebo dalších zabezpečení přístroje nebo jeho částí a dalších svépomocných zásahů do zařízení v rozporu s návodem k obsluze.

Oznámení poruchy a pomoc v případě závady

Potřebuje-li zařízení opravit, kontaktujte servis. Kontaktní údaje servisu včetně telefonního čísla se nacházejí v záručním listu. Před kontaktem si připravte výrobní číslo zařízení, nachází se na výrobním štítku. Pro pohodlí si ho přepište níže:

--	--	--	--	--	--	--	--	--	--	--	--	--	--	--

Prohlášení výrobce

Producent tímto prohlašuje, že tento výrobek splňuje základní požadavky níže uvedených evropských směrnic:

- Směrnice pro nízkonapěťová zařízení 2014/35/EU
- Směrnice o elektromagnetické kompatibilitě 2014/30/EU
- Směrnice ErP - 2009/125/EC
- Směrnice RoHS 2011/65/EU

Zařízení je označeno symbolem  a má prohlášení o shodě pro kontrolu příslušným orgánem dozoru nad trhem.

Vážený zákazník

Od dnešného dňa každodenné povinnosti budú jednoduchšie ako kedykoľvek predtým. Zariadenie značky **Amica** spája výnimočne jednoduché používanie a dokonalú efektívnosť. Keď sa oboznámite s užívateľskou príručkou, s používaním zariadenia nebudete mať žiadne problémy.

Zariadenie, ktoré opúšťa továreň, bolo pred konečným zabalením na kontrolných staniciach dôkladne skontrolované, čo sa týka bezpečnosti a funkčnosti zariadenia.

Pred spustením zariadenia sa podrobne a dôkladne oboznámte s užívateľskou príručkou. Dodržiavaním pokynov a odporúčaní, ktoré sú v príručke uvedené, predídete nesprávnemu používaniu zariadenia. Príručku uchovajte a uložte ju na takom mieste, aby bola v prípade potreby ľahko dostupná.

Dôkladne dodržiavajte pokyny a odporúčania uvedené v príručke, vyhnete sa tak nešťastným nehodám či úrazom.

S úctou

Amica

BEZPEČNOSTNÉ POKYNY POUŽÍVANIA

- Odsávač používajte iba po prečítaní tohto návodu!
- Zariadenie je určené iba na domáce, neprofesionálne použitie.
- Výrobca si vyhradzuje právo na vykonávanie zmien, ktoré neovplyvňujú fungovanie zariadenia.
- Výrobca nezodpovedá za prípadné škody alebo požiare spôsobené zariadením následkom nedodržiavania pokynov a odporúčaní, ktoré sú uvedené v tejto príručke.
- Kuchynský odsávač sa používa na odstraňovanie (odsávanie) kuchynských pár. Nepoužívajte ho na iné účely.
- Odsávač, ktorý funguje v režime odsávania, pripojte k príslušnému ventilačnému potrubiu (nepripájajte ku komínovým, dymovým alebo spalinovým potrubiam, ktoré sú v prevádzke). Odsávač vyžaduje inštaláciu potrubia, ktoré odvádza vzduch smerom von z miestnosti. Dĺžka potrubia (najčastejšie rúra Ø 120 alebo 150 mm) nesmie byť dlhšia ako 4-5 m. Potrubie odvádzajúce vzduch sa musí používať aj v prípade teleskopických a vstavaných odsávačov používaných v režime pohlčovania
- Odsávač, ktorý je nastavený režime pohlčovania, vyžaduje inštaláciu filtra s aktívnym uhlím. V tomto prípade sa nevyžaduje inštalácia potrubia odvádzajúceho vzduch von, odporúča sa však montáž usmerňovača prúdu vzduchu (iba komínové odsávače).
- Odsávač má nezávislé osvetlenie a tiež odťahový ventilátor s možnosťou nastaviť jednu z niekoľkých rýchlostí otáčania.

- V závislosti na verzii zariadenia je odsávač určený na trvale pripevnenie na zvislú stenu nad plynovým alebo elektrickým sporákom (komínové a univerzálne odsávače); na strop nad plynovým alebo elektrickým sporákom (ostrovne odsávače); na zvislú stenu v zabudovanom nábytku nad plynovým alebo elektrickým sporákom (teleskopické a vstavané odsávače). Pred inštaláciou sa uistite, či konštrukcia steny / stropu je dostatočná na udržanie odsávača. Niektoré modely odsávačov sú veľmi ťažké.
- Výška inštalácie zariadenia nad elektrickou varnou doskou je uvedená v liste výrobku (technickej špecifikácii zariadenia). Ak je v montážnej príručke plynových zariadení uvedená väčšia vzdialenosť, musí to byť pri montáži zohľadnené (obr. 1).
- Pod kuchynským odsávačom nenechávajte otvorený oheň, pri vyberaní riadu z horáku nastavte minimálny plameň. Vždy skontrolujte, či plameň nepresahuje poza riad, pretože to spôsobuje nežiaduce straty energie a nebezpečnú koncentráciu tepla.
- Jedlá pripravované na tuku/oleji musia byť pod stálym dohľadom, pretože nahriaty olej/tuk sa môže ľahko zapáliť.
- Pred každou manipuláciou, napr. čistenie, výmena filtra alebo pred začatím servisných prác, odsávač pár sa musí odpojiť od elektrického napätia.
- Protitukový filter do kuchynského odsávača sa musí čistiť minimálne raz mesačne, keďže zachytený tuk je ľahko horľavý.
- Ak sa v miestnosti, okrem odsávača, využívajú iné zariadenia s neelektickým spaľovaním (napr. pece na tekuté palivo, prietokové ohrievače), musí sa zabezpečiť dostatočné vetranie (prísun vzduchu). Bezpečné používanie je možné vtedy, ak pri súčasnom používaní odsávača a iných zariadení,

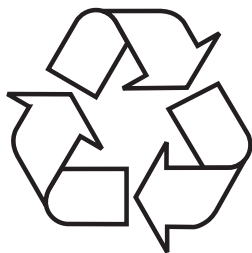
ktoré spotrebúvajú vzduch v danej miestnosti, na mieste používania týchto zariadení je podtlak maximálne 0,004 milibaru (tieto požiadavky sa nemusia splniť v prípade, ak sa odsávač používa v režime pohlcovača pár).

- Odsávač sa nesmie používať ako plocha na opieranie osôb, ktoré sú v kuchyni.
- Odsávač často čistite, tak z vonku ako aj z vnútra (MINIMALNE RAZ MESACNE), pričom dodržiavajte pokyny uvedené v tejto príručke. V prípade nedodržiavania zásad týkajúcich sa čistenia odsávača, ako aj výmeny filtrov, hrozí riziko vzniku požiaru.
- Ak bude napájací kábel bude poškodený, musí byť vymenený v špecializovanom servise.
- Zabezpečte možnosť odpojenia zariadenia od el. napätia vytiahnutím zástrčky z el. zásuvky, alebo vypnutím dvojpólového vypínača.
- Toto zariadenie nie je prispôbené k používaniu osobami (v tom deťmi) s obmedzenou fyzickou, zmyslovou alebo psychickou schopnosťou alebo osobami s nedostatočnými skúsenosťami a znalosťami zariadenia, iba ak je uskutočňované pod dohľadom alebo v súlade s návodom používania zariadenia, odovzdanom osobami odpovedajúcimi za ich bezpečnosť.
- Venujte mimoriadnu pozornosť tomu, aby spotrebič nepoužívali deti ponechané bez dozoru.
- Skontrolujte, či el. napätie uvedené na výrobnom štítku zariadenia sa zhoduje s parametrami el. napätia siete.
- Pred montážou napájací kábel rozviňte a vyrovnajte.
- Dávajte pozor, aby sa obalové materiály (polyetylénové vrecká, kúsky polystyrénu atď.) nedostali do rúk deťom.
- Pred pripojením odsávača k sieťovému napájaniu vždy skontrolujte, či bol napájací kábel správne

nainštalovaný a či NEBOL pritlačený odsávačom počas montážnych prác. Zariadenie nepripájajte k el. napätiu predtým, než úplne skončíte montáž zariadenia.

- Odsávač sa nesmie používať bez namontovaných hliníkových protitukových filtrov.
- Pod odsávačom sa v žiadnom prípade nesmú pripravovať jedlá s použitím otvoreného ohňa (flambovanie). Je to prísne zakázané.
- Čo sa týka dodržiavania požadovaných technických a bezpečnostných prostriedkov a pokynov týkajúcich sa odvádzania spalín, bezpodmienečne dodržujte platné miestne predpisy a normy.
- V prípade, ak skrutky, ako aj montážne a upevňujúce prvky nebudú správne (v súlade s touto príručkou) dotiahnuté (upevnené), hrozí riziko úrazu, či dokonca smrti.
- Visiace odsávače fungujú iba v režime pohlcovania pachov.
- **POZOR!** Chýbajúca inštalácia upevňovacích skrutiek alebo prostriedkov v súlade s týmito pokynmi môže spôsobiť úraz elektrickým prúdom.
- Toto zariadenie môže byť používané deťmi vo veku 8 rokov a starších, osoby s obmedzenými fyzickými alebo mentálnymi schopnosťami, ako aj osobami bez skúseností a bez znalostí zariadenia môžu kanvicu používať, pokiaľ sú dohliadané alebo boli inštruované vzhľadom obsluhy zariadenia bezpečným spôsobom a znajú ohrozenie spojené s používaním zariadenia. Deti si nemôžu so zariadením hrať. Čistenie a konzervácia zariadenia nemôže byť vykonávaná deťmi ledaže ukončili 8 rokov a sú dohliadané zodpovednou osobou.

ROZBALENIE



Zariadenie je chránené pred poškodením počas prepravy. Prosíme Vás, aby ste po vybalení zariadenia zlikvidovali obalové materiály spôsobom neohrozujúcim životné prostredie.

Všetky materiály použité na zabalenie sú neškodné pre životné prostredie, sú 100% recyklovateľné a sú označe-

né príslušným symbolom.

Pozor! Dávajte pozor, aby sa obalové materiály (polyetylenové vrecká, kusky polystyrénu atď.) nedostali do rúk deťom.

LIKVIDÁCIA ZARIADENÍ



Toto zariadenie je označené v súlade s Európskou smernicou 2012/19/ES. Tento symbol informuje, že toto zariadenie sa po opotrebovaní (skončení používania) nešmie vyhodiť do komunálneho odpadu. Užívateľ je povinný zariadenie odovzdať v zbernom mieste opotrebovaných elektrických a elektronických zariadení.









Subjekty, ktoré sa zaoberajú spracovaním opotrebovaných zariadení, tzn. miestne zberné miesta, obchody alebo jednotky štátnej správy, vytvárajú príslušný systém, ktorý každému umožňuje odovzdať takéto zariadenia.

Správny postup pri likvidácii elektrického a elektronického zariadenia predchádza negatívne mu vplyvu škodlivých pre ľudské zdravie a životné prostredie konzekvencií, ktoré vyplývajú z prítomnosti nebezpečných častí ako aj nesprávneho skladovania a recyklácie takýchto zariadení.

OBSLUHA

Ovládanie odsávača

Ovládací panel odsávača je zobrazený na obr. 4, na pripomenutie je uvedený aj nižšie:

-  0 Ovládací panel má nasledujúce tlačidlá (izostat). Keď chcete spustiť odsávač pár, vyberte jednu z nižšie opísaných rýchlostí stlačením príslušného tlačidla:
-  1 1- Najnižšia rýchlosť. Túto rýchlosť používajte, keď sa nevytvára príliš veľa pary.
-  2 2- Stredná rýchlosť. Túto rýchlosť používajte, keď sa vytvára stredne veľké množstvo pary, napr. pri varení niekoľkých jedál súčasne.
-  3 3- Najvyššia rýchlosť. Túto rýchlosť používajte, keď sa vytvára veľké množstvo pary, napr. pri vyprážaní či grilovaní.
-  0- Vypnutie odsávania.
-   Tlačidlo označené ako  je určené na zapínanie/vypínanie osvetlenia. Osvetlenie odsávača funguje nezávisle od úrovne odsávania.

Iné dôležité informácie týkajúce sa používania odsávača

Režim pohlčovania: V tomto režime sa prefiltrovaný vzduch cez otvory, ktoré sú na to určené, vracia späť do miestnosti (recirkulácia). Pri tomto nastavení sa musí namontovať uhlíkový filter, a tiež odporúčame namontovať smerovač (difúzor) vychádzajúceho vzduchu (dostupný pre každý model, používa sa predovšetkým v komínových odsávačoch).

Režim odsávania: V tomto režime odsávač odvádza vzduch vonku špeciálnym potrubím. V tomto režime nepoužívajte uhlíkový filter (ak je vložený, vyberte ho). Odsávač pár sa pripája k ventilačnému komínu pomocou pevných alebo elastický rúr s priemerom 150 mm alebo 120 mm a príslušných spojok, ktoré si môžete zaobstaráť v obchodoch s inštaláčnymi materiálmi. Pripojenie je potrebné zadať kvalifikovanému technikovi.

Rýchlosť ventilátora: Najnižšia a stredná rýchlosť ventilátora sa používa v normálnych podmienkach a pri malej koncentrácii pár. Najvyššia rýchlosť sa používa iba v prípade vysokej koncentrácie kuchynských pár, napr. počas smaženia, grilovania.

Pozor (týka sa iba univerzálnych odsávačov): Univerzálne odsávače sú skonštruované tak, že zmena režimu práce odsávača sa musí vykonať ručne. Spôsob zmeny režimu je znázornený na obrázku 8.

Pozor (týka sa iba vstavaných a teleskopických odsávačov): Vstavané a teleskopické odsávače používané v režime pohlčovania, musia mať namontované potrubie odvádzajúce vzduch. Druhý koniec potrubia je potrebné nasmerovať do miestnosti, tadiaľ bude odvádzaný prefiltrovaný vzduch.

Pozor: Visiace odsávače fungujú iba v režime pohlčovania.

ČISTENIE A ÚDRŽBA

Konzervácia

Pravidelné čistenie a údržba zariadenia zaručujú dobré fungovanie odsávača a zároveň predlžujú jeho životnosť. Dôležité je pravidelné čistenie protitukových filtrov a výmena uhlíkových filtrov v súlade s odporúčaniami výrobcu.

- Nepoužívajte vlhké handričky alebo špongie ani prúd vody.
- Nepoužívajte riedidlá ani alkohol, pretože by mohli zmatnieť lakované povrchy.
- Nepoužívajte leptavé látky, najmä na čistenie povrchov z nerezovej oceli.
- Nepoužívajte tvrdé, drsné handričky
- Odporúčame používať vlhkú a jemnú handričku s použitím jemných saponátov.

Pozor: Po niekoľkých umytiach v umývačke riadu sa farba hliníkového filtra (mriežky) môže zmeniť. Taká zmena farby neznamena, že filter nefunguje správne, a že sa musí vymeniť.

Protitukový filter

Protitukový filter je potrebné čistiť každý mesiac počas normálnej prevádzky odsávača, v umývačke riadu alebo ručne s použitím jemného čistiaceho prostriedku alebo tekutého mydla.

Demontáž protitukového filtra je znázornená na obrázku č. 5.

Pri niektorých modeloch je použitý akrylový filter. Musí byť vymenený aspoň raz za 2 mesiace, alebo častejšie v prípade veľmi intenzívneho používania.

Uhlíkový filter

Uhlíkový filter sa používajú iba vtedy, ak odsávač pár nie je pripojený na ventilačný komín. Uhlíkový filter je schopný absorbovať pachy až určitú absorpčnú hladinu – nasýtenie. Uhlíkové filtre sa nesmú umývať, nie sú vhodné na regeneráciu a musia sa vymieňať, a to aspoň raz na 3-4 mesiace alebo častejšie, ak sa odsávač pár využíva intenzívne. Demontáž uhlíkového filtra je znázornená na obrázku 6.

Osvetlenie

Je potrebné používať žiarovky / halogény / diódové moduly s rovnakými parametrami ako sú nainštalované výrobcom v zariadení. Výmena osvetlenia je znázornená na obrázku č. 7. Ak obrázok nie je v tejto príručke uvedený, modul osvetlenia môže vymeniť iba autorizovaný servis.

Cher Client

À partir d'aujourd'hui les tâches quotidiennes deviennent encore plus faciles. Cet appareil **Amica** combine une facilité d'utilisation exceptionnelle à une efficacité parfaite. Après la lecture du mode d'emploi, l'utilisation de l'appareil ne vous posera aucun problème.

La sécurité et la fonctionnalité de l'équipement sorti d'usine ont été soigneusement vérifiées sur les postes de contrôle avant son emballage.

Prière de lire attentivement le mode d'emploi avant la mise en fonctionnement de l'appareil. Respecter ses indications vous protégera contre toute utilisation incorrecte. Garder le mode d'emploi dans un endroit accessible.

Respecter les instructions de ce mode d'emploi afin d'éviter des accidents.

Respectueusement

Amica

INDICATIONS CONCERNANT LA SÉCURITÉ D'UTILISATION

- La hotte ne doit être utilisée qu'après avoir pris connaissance de la présente notice d'utilisation
- L'appareil n'est destiné qu' à l'usage dans un cadre domestique.
- Le fabricant se garde le droit d'introduire des modifications n'ayant pas d'influence sur l'exploitation générale de l'appareil.
- Le fabricant décline toute responsabilité en cas de dommages ou d'incendies provoqués par l'appareil du fait de non-respect des dispositions contenues dans la présente notice d'utilisation.
- La hotte aspirante est destinée à évacuer les vapeurs de cuisson. Elle ne doit pas être utilisée à d'autres fins.
- L'air ne doit pas être déchargé dans un conduit utilisé pour l'épuisement de vapeur d'appareils à gaz ou autres combustibles. La hotte nécessite l'installation d'un conduit d'évacuation de l'air donnant sur l'extérieur. La longueur de la conduite (le plus souvent un tuyau de Ø 120 mm ou 150 mm) ne doit pas dépasser 4-5 m. La conduite d'évacuation de l'air est également nécessaire pour les hottes télescopiques et les hottes encastrables en mode d'absorption.
- La hotte en mode de recyclage nécessite l'installation d'un filtre à charbon actif. Dans ce cas de figure, il n'est pas nécessaire d'installer un conduit d'évacuation de l'air à l'extérieur, par contre, il est préconisé de monter un déflecteur d'air (présent principalement dans les hottes cheminées).
- La hotte est dotée d'un éclairage indépendant et d'un ventilateur d'extraction offrant la possibilité de régler plusieurs vitesses de rotation.
- En fonction de la version de l'appareil, la hotte est prévue à être fixée à une cloison verticale au-dessus de la table de cuisson à gaz ou électrique (hottes de cheminée ou universelles) ; au

plafond au-dessus de la table de cuisson à gaz ou électrique (hottes îlot) ; sur une cloison verticale des meubles hauts de cuisine au-dessus de la table de cuisson à gaz ou électrique (hottes télescopiques et encastrables). Avant de procéder au montage, assurez-vous que la construction du mur / plafond est adaptée à soutenir la hotte. Certains modèles de hottes ont une masse importante.

- La hauteur de montage de l'appareil au-dessus de la plaque électrique est indiquée sur la fiche technique de l'appareil (spécifications techniques). Dans le cas où les instructions de montage pour les tables de cuisson au gaz spécifieraient une distance plus grande, celle-ci doit être prise en compte (Fig. 1).
- Il est interdit de laisser un feu ouvert sous la hotte de cuisine, en enlevant le récipient de cuisson, régler une petite flamme. Vérifiez toujours si la flamme ne dépasse pas le bord du récipient de cuisson, ceci entraîne des pertes d'énergie et une concentration de la chaleur indésirables.
- Les fritures effectuées sous la hotte doivent faire l'objet d'une surveillance constante, les graisses portées à très haute température peuvent s'enflammer.
- Débrancher l'appareil de la prise de courant avant toute opération de nettoyage, de remplacement du filtre ou d'entretien.
- Le filtre à graisse de la hotte doit être nettoyé au moins une fois par mois, car saturé de graisse, il pourra facilement prendre feu.
- Une ventilation convenable de la pièce doit être prévue (amenée de l'air), lorsque la hotte de cuisine est utilisée simultanément avec des appareils alimentés par une source d'énergie différente de l'énergie électrique (p.ex. combustibles liquides, chaudières, chauffe-eau). En cas d'utilisation simultanée de la hotte et de foyers dépendant de l'air ambiant se trouvant dans la pièce, une exploitation sans danger est possible en respectant une dépression de 0,004 mbar au maximum à l'endroit d'installation de tels appareils (cette

consigne n'est pas applicable lorsque la hotte aspirante est utilisée en version de recyclage).

- La hotte ne doit pas servir d'un plan d'appui pour les personnes se trouvant dans la cuisine.
- La hotte doit être souvent nettoyer à l'extérieur et à l'intérieur (AU MOINS UNE FOIS PAR MOIS, en suivant les consignes relatives à l'entretien indiquées dans le présent mode d'emploi). Il y a un risque d'incendie si le nettoyage n'est pas apporté selon les instructions.
- Si le câble d'alimentation est endommagé, il doit être remplacé par le fabricant, son service après vente ou des personnes de qualification similaire afin d'éviter un danger.
- Il est nécessaire d'assurer la possibilité de débrancher l'appareil du secteur en retirant la fiche de la prise de courant ou en déclenchant l'interrupteur bipolaire
- Cet appareil n'est pas conçu pour être utilisé par des personnes (y compris les enfants) à aptitudes physiques, sensorielles ou mentales réduites ainsi que par des personnes manquant d'expérience et de connaissances à moins que cette utilisation s'effectue sous la surveillance ou en accord avec la notice d'utilisation remise par les personnes responsables de la sécurité.
- Les enfants ne doivent pas jouer avec l'appareil.
- Le nettoyage et l'entretien par l'utilisateur ne doivent pas être effectués par des enfants sans surveillance
- Vérifiez si la tension indiquée sur la plaque signalétique correspond aux paramètres de la section locale du secteur.
- Avant le montage, dérouler et redresser le cordon d'alimentation.
- Lors du déballage, garder les matériaux d'emballage (petits sacs polyéthylène, morceaux de polystyrène, etc.) hors de portée des enfants.
- Avant de brancher la hotte au réseau électrique, assurez-vous toujours que le cordon d'alimentation a été correctement installé et qu'il N'A PAS été écrasé par la hotte lors des opérations de montage. Ne pas brancher l'appareil à l'alimentation électrique avant la fin du montage.

- Il est interdit d'utiliser la hotte sans filtres à graisse en aluminium.
- Il est formellement interdit de flamber des aliments sous la hotte.
- En ce qui concerne les mesures techniques et celles en matière de sécurité nécessaires pour l'évacuation des fumées, respectez impérativement les normes et la législation en vigueur émises par les autorités locales compétentes.
- Le serrage trop faible des vis et des éléments de fixation par rapport aux instructions applicables présente des risques pour la santé et la vie humaine.
- Les hottes suspendues fonctionnent uniquement en mode d'absorption des odeurs
- ATTENTION ! Ne pas suivre les instructions pour l'installation des vis ou dispositifs de fixation peut entraîner des dangers électriques.
- Cet appareil peut être utilisé par des enfants âgés d'au moins 8 ans et par des personnes ayant des capacités physiques, sensorielles ou mentales réduites ou dénuées d'expérience ou de connaissance, s'ils (si elles) sont correctement surveillé(e)s ou si des instructions relatives à l'utilisation de l'appareil en toute sécurité leur ont été données et si les risques encourus ont été appréhendés.
- Cet appareil peut être utilisé par des enfants âgés de 8 ans ou plus, par des personnes avec des capacités motrices, sensorielles ou mentales réduites et par des personnes dénuées d'expérience ou de connaissance de l'équipement uniquement si elles se trouvent sous surveillance et qu'elles aient été instruites auparavant au sujet de l'exploitation de l'appareil de façon sûre et qu'elles connaissent les dangers liés à l'exploitation de l'appareil. Les enfants ne devraient pas jouer avec l'appareil. Le nettoyage et la maintenance de l'appareil ne devraient pas être effectués par des enfants à moins qu'ils n'aient fini leurs 8 ans et ne soient surveillés par une personne appropriée.

DÉBALLAGE



Pour son transport, l'appareil a été emballé afin de le protéger contre les endommagements. Après déballage de l'appareil, prière d'éliminer les éléments de l'emballage d'une façon non nuisible à l'environnement.

Tous les matériaux utilisés pour l'emballage sont inoffensifs pour l'environnement et recyclables à 100% (ils sont marqués par un symbole approprié)

Attention! Lors du déballage, garder les matériaux d'emballage (petits sacs polyéthylène, morceaux de polystyrène, etc.) hors de portée des enfants.

ÉLIMINATION DES APPAREILS USAGÉS



Cet appareil est marqué par le symbole du conteneur à déchets, rayé, conformément à la Directive Européenne 2012/19/CE. Ce symbole signale que le produit, après sa période d'utilisation, ne pourra pas être éliminé avec d'autres déchets ménagers.

L'utilisateur est obligé de le rendre à un point de collecte des appareils électriques et électroniques usagés. De tels points de collecte sont mis en place par les communes, certains magasins et entreprises de ramassage des déchets.

Respecter les règles d'élimination des appareils électriques et électroniques permet d'éviter des conséquences nuisibles à la santé humaine et à l'environnement naturel, à cause de la possibilité de présence de constituants dangereux ou de transformations inappropriées à ce type d'appareil.

EXPLOITATION

Commande de la hotte

Le panneau de commande de la hotte est présenté sur le dessin 4, pour rappel, il est également présenté ci-dessous :



0

Le panneau de commande dispose de touches (isostat).

Pour allumer la hotte, choisir l'un des modes de vitesse décrits ci-dessous en appuyant sur la touche appropriée :



1

1- Vitesse inférieure. Utiliser cette vitesse pour une petite quantité de fumée.



2

2- Vitesse moyenne. Utiliser cette vitesse pour une quantité de fumée moyenne, par exemple lors de la cuisson de plusieurs plats en même temps.




3

3- Vitesse supérieure. Utiliser cette vitesse pour la plus grande quantité de fumée, par exemple lors de la friture ou de la grillade.

0- Arrêt de la hotte



La touche  sert à allumer ou à éteindre l'éclairage. L'éclairage de la hotte fonctionne indépendamment de la vitesse du moteur.

Autres informations importantes relatives à l'utilisation de la hotte

Fonctionnement en mode recyclage: Dans ce mode de fonctionnement, l'air filtré retourne dans la pièce par les orifices prévus à cet effet. Ce réglage nécessite le montage d'un filtre à charbon et d'un élément d'orientation de l'air (disponibilité selon les modèles, présent principalement dans les hottes cheminées).

Fonctionnement en mode évacuation: Lors du fonctionnement en mode évacuation, l'air est sorti vers l'extérieur à travers un conduit d'évacuation spécial. Pour une utilisation sur ce mode, retirez le filtre à charbon s'il y en a. La hotte est raccordée à une bouche d'évacuation de l'air vers l'extérieur à travers un tuyau rigide ou flexible d'un diamètre de 150 ou 120 mm et des colliers de serrage appropriés que vous pouvez acquérir dans un magasin spécialisé. Le raccordement doit être confié à un technicien qualifié.

Vitesses du ventilateur : Les vitesses minimale et moyenne sont utilisées en conditions normales et à des intensités faibles de vapeurs, par contre la vitesse maximale ne doit être utilisée qu'en cas de vapeurs de cuisson intenses, p.ex. les fritures ou grillades.

Remarque (uniquement pour les hottes universelles) : La construction des hottes universelles nécessite un changement manuel du mode de fonctionnement. La méthode de changement du mode est présentée sur le dessin 8. Si le dessin n'est pas présent dans le présent mode d'emploi, cette hotte n'est pas concernée par cette remarque.

Remarque (uniquement pour les hottes encastrables et télescopiques) : Les hottes encastrables et télescopiques fonctionnant en mode recyclage nécessitent l'installation d'un tuyau d'évacuation de l'air. L'autre bout du tuyau doit être orienté vers la cuisine, l'air filtré sera amené par ce bout.

Attention : Les hottes suspendues (ou îlot) fonctionnent uniquement en mode recyclage.

NETTOYAGE ET ENTRETIEN

Entretien

Un entretien et un nettoyage réguliers de l'appareil garantiront le bon fonctionnement de la hotte et prolongeront sa durée de vie. Apportez un soin particulier au nettoyage et au remplacement du filtre à graisse et du filtre à charbon actif conformément aux prescriptions du fabricant.

- N'utilisez ni chiffons ni éponges mouillés ni jets d'eau.
- N'utilisez ni solvants, ni alcool car ils peuvent ternir les surfaces peintes.
- N'utilisez pas de substances caustiques, en particulier pour le nettoyage des surfaces en acier inoxydable.
- N'utilisez pas de chiffons durs, abrasifs
- Il est préconisé de vous servir d'un chiffon humide et de nettoyeurs neutres.

Filtre à graisse

En cas de fonctionnement normal de la hotte, le filtre à graisse doit être nettoyé tous les mois, au lave-vaisselle ou manuellement avec du détergent ou du savon liquide doux.

Le démontage du filtre à graisse est présenté sur la figure 5.

Attention: Après plusieurs lavages au lave-vaisselle, la couleur du filtre en aluminium pourra changer. Le changement de la couleur n'indique pas une anomalie ou la nécessité de son remplacement.

Pour certains modèles de hottes, des filtres acryliques sont installés. Remplacez le filtre au moins tous les 2 mois ou plus fréquemment en cas d'utilisation particulièrement intensive.

Filtre à charbon

Le filtre à charbon ne peut être utilisé que lorsque la hotte n'est pas raccordée au conduit de ventilation. Le filtre à charbon actif est capable d'absorber des odeurs de cuisson jusqu'à saturation. Le filtre n'est ni lavable ni régénérable et il doit être remplacé au moins tous les 3-4 mois ou plus fréquemment en cas d'utilisation particulièrement intensive.

Le démontage du filtre à charbon est présenté sur la figure 6.

Éclairage

Utilisez des ampoules / lampes halogènes / modules à diodes dont les paramètres sont identiques à ceux des lampes installés en usine. Le remplacement des lampes est présenté sur la figure 7. Si le dessin n'est pas présent dans le présent mode d'emploi, le module d'éclairage doit être remplacé uniquement par un service agréé.

GARANTIE, SERVICE APRÈS-VENTE

Garantie

Service de garantie selon la carte de garantie. Le fabricant n'est responsable d'aucun dommage provoqué par une utilisation inappropriée du produit.

Service

- Le fabricant suggère de faire réaliser toute réparation et tout réglage par le Service Interventions ou un centre agréé du fabricant. Pour des raisons de sécurité, il est interdit de réparer vous-même l'appareil.
- Les réparations réalisées par des personnes sans les compétences exigées peuvent constituer un grave danger pour les utilisateurs de l'appareil.
- La période minimale de la garantie sur l'appareil, offerte par le fabricant, l'importateur ou le distributeur agréé est indiquée sur la carte de garantie.
- L'appareil perd sa garantie suite à des transformations, des adaptations, la rupture des scellés ou de tout autre dispositif de sécurité ou de leurs éléments ainsi que suite à toute intervention qui n'est pas conforme aux consignes du mode d'emploi.

Demande de réparation et soutien en cas de défaillance


Si l'appareil nécessite une réparation, contactez le service. Les coordonnées du service et le numéro de contact sont indiqués sur la carte de garantie. Avant tout contact, veuillez préparer le numéro de série de l'appareil que vous pouvez trouver sur la plaque signalétique. Pour faciliter les choses, veuillez le recopier ci-dessous :

--	--	--	--	--	--	--	--	--	--	--	--	--	--	--

Déclaration du fabricant

Par la présente le fabricant déclare que le produit est conforme à toutes les principales dispositions exigées par les directives de la communauté Européenne:

- **directive Basse Tension 2014/35/CE**
- **directive Compatibilité électromagnétique 2014/30/CE**
- **directive 2009/125/CE**
- **directive RoHS 2011/65/CE**

et c'est le pourquoi le produit est désigné par le symbol  ainsi qu'une déclaration de la conformité accessible aux organes chargés de la surveillance du marché a été délivrée.

Beste klant

Vanaf vandaag zijn de dagelijkse klusjes eenvoudiger dan ooit tevoren. Het apparaat **Amica** is een combinatie van uitzonderlijk bedieningsgemak en perfecte effectiviteit. Na het lezen van de gebruiksaanwijzing kent de bediening voor u geen geheimen meer.

Ieder apparaat dat de fabriek verlaat is vóór het inpakken op controleplekken grondig gecontroleerd op veiligheid en functionaliteit.

Wij vragen u deze gebruiksaanwijzing zorgvuldig door te lezen voordat u het apparaat inschakelt. Naleving van de aanwijzingen die erin zijn opgenomen beschermt u tegen onjuist gebruik. Bewaar de gebruiksaanwijzing en zorg dat u hem altijd binnen handbereik heeft.

Volg de gebruiksaanwijzing nauwkeurig op om ongevallen te voorkomen.

Hoogachtend

Amica

AANWIJZINGEN VOOR VEILIG GEBRUIK

- Gebruik de afzuigkap pas nadat u deze handleiding hebt doorgelezen.
- Het apparaat is uitsluitend bestemd voor huishoudelijk gebruik.
- De producent behoudt zich het recht voor om wijzigingen aan te brengen die het gebruik van het apparaat niet beïnvloeden.
- De producent is niet aansprakelijk voor eventuele schade of brand die is ontstaan door het apparaat die het resultaat is van het niet in acht nemen van de aanwijzingen uit deze gebruiksaanwijzing.
- De afzuigkap dient voor het verwijderen van keukendampen. Gebruik hem niet voor andere doeleinden.
- De afzuigkap als afzuiginstallatie moet worden aangesloten op een geschikt ventilatiekanaal (niet aansluiten op schoorsteenkanalen, rookkanalen of afvoerkanalen voor verbrandingsgassen die in gebruik zijn). Voor de afzuigkap moet een afvoerkanal worden geïnstalleerd om de lucht naar buiten af te voeren. De lengte van het kanaal (meestal een buis van \varnothing 120 of 150 mm) mag niet langer zijn dan 4-5 m. Ook bij telescoopafzuigkappen en inbouwafzuigkappen die werken in de absorptiemodus is een luchtafvoerkanal nodig.
- In een afzuigkap die werkt in de absorptiemodus moet u een actieve-koolfilter aanbrengen. In dat geval is installatie van een afvoerkanal voor de lucht niet nodig. We bevelen dan wel aan om een besturing van de luchtblazer te monteren (alleen schouwkappen).
- De afzuigkap is uitgerust met onafhankelijke verlichting en een aanzuigventilator die op een aantal snelheden kan worden ingesteld.
- Afhankelijk van de versie is de afzuigkap bedoeld voor permanente bevestiging aan een vertica-

le wand boven een gasfornuis of elektrisch fornuis (schouwkappen en universele kappen); op het plafond boven een gasfornuis of elektrisch fornuis (afzuigkappen voor kookeilanden); aan een verticale wand in keukenmeubels boven een gasfornuis of elektrisch fornuis (telescoop- en inbouwkappen). Controleer voor de montage of de wand-/plafondconstructie geschikt is voor montage van de afzuigkap. Sommige afzuigkapmodellen zijn erg zwaar.

- De montagehoogte van het apparaat boven een elektrische kookplaat staat vermeld op de productkaart (technische specificatie van het apparaat). Wanneer in de installatie-instructie van gastoestellen een grotere afstand staat vermeld, moet u deze aanhouden (Afb. 1a/b/c).
- Het is niet toegestaan om onder de afzuigkap een vlam op vol vermogen te laten branden. Zet voor het afnemen van de pan de brander op een kleine vlam. Controleer altijd of de vlam niet voorbij de rand van de pan komt. Dit veroorzaakt ongewenst energieverlies en onveilige warmteconcentraties.
- Houd continu toezicht als u gerechten bereidt met vetten. Oververhit vet kan makkelijk in brand vliegen.
- Haal steeds de stekker uit het stopcontact voordat u het apparaat schoonmaakt, het filter verwisselt of reparaties uitvoert.
- Maak het anti-vetfilter van de afzuigkap minimaal een keer per maand schoon, omdat een met olie verzadigd filter bijzonder brandbaar is.
- Indien in de ruimte naast de afzuigkap ook andere apparaten worden gebruikt die niet door elektriciteit worden aangedreven (bijv. ovens op vloeibare brandstoffen, waterverwarmers, geisers), dan moet u zorgen voor voldoende ventilatie (aanvoer van lucht). Er is sprake van veilig gebruik bij gelijktijdige werking van de afzuigkap en verbrandingsapparaten die afhankelijk zijn van de lucht in de ruimte, wanneer op de plaats waar deze apparaten zijn geïnstalleerd een onderdruk heerst van maximaal 0,004 millibar (dit punt geldt niet wanneer de afzuigkap wordt ge-

- bruikt voor de absorptie van geurtjes).
- De afzuigkap mag niet dienen als ondersteuning voor personen die zich in de keuken bevinden.
 - Maak de afzuigkap regelmatig van binnen en van buiten schoon (MINIMAAL EENMAAL PER MAAND, met inachtneming van de aanwijzingen over onderhoud uit deze gebruiksaanwijzing). Als u zich niet houdt aan de aanwijzingen voor het schoonmaken van de afzuigkap en het verwisselen van de filters, ontstaat brandgevaar.
 - Als de voedingskabel beschadigd raakt, dan moet deze vervangen worden bij een specialistische service.
 - Zorg ervoor dat het apparaat makkelijk losgekoppeld kan worden van het elektriciteitsnetwerk door de stekker uit het stopcontact te trekken of de dipoolschakelaar uit te schakelen.
 - Dit apparaat is niet bestemd voor gebruik door personen (waaronder kinderen) met lichamelijke of geestelijke beperkingen of personen zonder ervaring met of kennis van het apparaat, tenzij dit gebruik plaatsvindt onder toezicht of overeenkomstig de gebruiksaanwijzing van het apparaat, door personen die verantwoordelijk zijn voor hun veiligheid.
 - Zorg ervoor dat u het apparaat niet door kinderen zonder toezicht kan worden gebruikt.
 - Controleer of de spanning die staat aangegeven op het typeplaatje overeenkomt met de parameters van het elektriciteitsnet op de plaats van aansluiting.
 - Voorafgaand aan de montage de voedingskabel uitrollen en rechte trekken.
 - Het verpakkingsmateriaal (polyethyleenzakjes, stukken polystyreen etc.) bij het uitpakken buiten het bereik van kinderen houden.
 - Voordat u de afzuigkap aansluit op het lichtnet dient u altijd eerst te controleren of de voedingskabel op de juiste wijze is geïnstalleerd en of hij tijdens de montagewerkzaamheden NIET bekneld is komen te zitten door de afzuigkap. Sluit het apparaat niet aan op het elektriciteitsnet voordat u klaar bent met de montage.

- Het is verboden om de afzuigkap te gebruiken zonder gemonteerde aluminium vetfilters.
- Het is streng verboden om onder de afzuigkap gerechten klaar te maken met gebruik van open vuur (flamberen).
- Houd u op het gebied van de noodzakelijke toepassing van technische middelen en beveiligingen bij het afvoeren van verbrandingsgassen strikt aan de voorschriften van de bevoegde lokale autoriteiten.
- Het niet volgens deze instructie aandraaien van de schroeven en bevestigingselementen kan levensbedreigend zijn en gevaar opleveren voor de gezondheid.
- Hangende afzuigkappen werken uitsluitend in de modus geurabsorptie.
- **WAARSCHUWING!** Wanneer niet de in deze instructies vermelde schroeven worden gebruikt of als het apparaat niet volgens deze instructies wordt bevestigd, kunnen elektrische risico's ontstaan.
- Dit apparaat mag gebruikt worden door kinderen van 8 jaar en ouder, door personen met een lichamelijke, zintuiglijke of verstandelijke beperkingen en personen zonder ervaring of kennis van het apparaat wanneer op hen gelet wordt of ze geïnstrueerd zijn over het veilig gebruik van het apparaat en ze de gevaren kennen in verband met het gebruik van het apparaat. Kinderen mogen niet met het apparaat spelen. Reiniging en onderhoud mogen niet door kinderen gedaan worden tenzij ze 8 jaar zijn of ouder en er toezicht wordt gehouden door een juiste persoon.

UITPAKKEN



Het apparaat is beveiligd tegen transportschade. Na het uitpakken moet het verpakkingsmateriaal zo verwerkt worden dat er geen risico voor het milieu ontstaat.

Al het materiaal dat voor de verpakking is gebruikt is milieuvriendelijk, het kan voor 100% hergebruikt worden en het is gelabeld met het bijbehorende symbool.

Attentie! Het verpakkingsmateriaal (polyethyleenzakjes, stukken polystyreen etc.) bij het uitpakken buiten het bereik van kinderen houden.

VERWIJDERING VAN GEBRUIKTE APPARATUUR



Dit product is overeenkomstig met de Europese richtlijn 2012/19/EG. Dit merkteken informeert dat dit apparaat na afloop van zijn levensduur niet samen met ander huishoudelijk afval verwijderd mag worden.

De gebruiker is verplicht om het aan te bieden bij een inzamelpunt voor gebruikte elektrische en elektronische apparatuur. De inzamelende instanties, waaronder lokale inzamelpunten, winkels en gemeentelijke instanties vormen een geschikt systeem voor de inzameling van deze apparatuur.

De juiste behandeling van gebruikte elektrische en elektronische apparatuur leidt tot het vermijden van consequenties die schadelijk zijn voor de menselijke gezondheid en de natuurlijke omgeving en voortkomen uit de aanwezigheid van gevaarlijke bestanddelen en verkeerde opslag en verwerking van dergelijke apparatuur.

BEDIENING

Bediening van de afzuigkap

Het bedieningspaneel van de afzuigkap staat weergegeven op afbeelding 4. Om het u makkelijk te maken staat hij ook hieronder:



0

Het bedieningspaneel is uitgerust met knoppen (isostat).

Schakel de afzuigkap in door een van de hieronder beschreven snelheden te kiezen en de betreffende knop in te drukken:



1

1- Laagste snelheid. Gebruik deze snelheid bij een kleine hoeveelheid dampen.



2

2- Gemiddelde snelheid. Gebruik deze snelheid bij een gemiddelde hoeveelheid dampen, bijvoorbeeld bij het tegelijkertijd koken van meerdere gerechten.



3

3- Hoogste snelheid. Gebruik deze snelheid bij de hoogste hoeveelheid dampen, bijvoorbeeld bij het bakken of grillen.



0- Uitschakelen van de afzuigkap

De knop die is aangeduid met  dient voor het inschakelen of uitschakelen van de verlichting. De verlichting in de afzuigkap werkt onafhankelijk van de snelheid van de motor.

Andere belangrijk informatie over de bediening van de afzuigkap

Werking als absorptieapparaat: Bij deze optie wordt de gefilterde lucht weer teruggeblazen in de ruimte door de openingen die hiervoor geschikt zijn gemaakt. Bij deze instelling moet u een koolfilter installeren. Ook bevelen wij de installatie van een stuurmechanisme voor het uitblazen van de lucht aan (verkrijgbaar afhankelijk van het model, komt hoofdzakelijk voor bij schouwkappen).

Werking als luchtafzuiger: Bij gebruik van de afzuigfunctie wordt de lucht via een speciale leiding naar buiten afgevoerd. Bij deze instelling moet u het eventuele koolfilter verwijderen. De afzuigkap is aangesloten op een afvoeropening met behulp van een stijve of flexibele buis met een doorsnede van 150 mm of 120 mm en speciale buisklemmen die verkrijgbaar zijn in een winkel met installatiematerialen. Laat de aansluiting uitvoeren door een installateur

Snelheid van de ventilator: De laagste en middelste snelheid gebruikt u onder normale omstandigheden en als er zich weinig dampen vormen. De hoogste snelheid alleen toepassen als er zich veel keukendampen vormen, bijv. tijdens het bakken of grillen.

Opgelet (betreft alleen universele afzuigkappen): De constructie van de universele afzuigkap vereist handmatige wijziging van de werkingsmodus van de afzuigkap. De manier waarop u deze modus wijzigt staat weergegeven op afbeelding 8.

Opgelet (betreft alleen inbouw- en telescoopafzuigkappen): Inbouw- en telescoopafzuigkappen die werken in de absorptiemodus vereisen de montage van een luchtafvoerbuis. Het tweede uiteinde van de buis moet in de ruimte zijn gericht voor de afvoer van gefilterde lucht.

Attentie: Hangende afzuigkappen werken uitsluitend in de modus geurabsorptie.

REINIGING EN ONDERHOUD

Onderhoud

Regelmatig onderhoud en reiniging van het apparaat garandeert een goede en storingsvrije werking van de afzuigkap en verlengt zijn levensduur. Let er vooral op dat het anti-vetfilter en het actieve koolfilter volgens de aanbevelingen van de producent worden schoongemaakt en vervangen.

- Gebruik geen drijfnatte doekjes of sponsjes, of een waterstraal;
- Gebruik geen oplosmiddelen of alcohol, hierdoor kunnen gelakte oppervlakten mat worden;
- Gebruik geen bijtende middelen, met name niet voor roestvrijstalen oppervlakten;
- Gebruik geen harde, ruwe doekjes.
- Aanbevolen wordt het gebruik van een vochtig doekje en een neutraal schoonmaakmiddel.

Attentie: Het aluminiumfilter kan verkleuren als het enige malen in de afwasmachine is gewassen. De verkleuring betekent niet dat het beschadigd is of vervangen moet worden.

Antivetfilter

Bij normale werking van de afzuigkap moet het antivetfilter eenmaal per maand worden schoongemaakt. Dit kan in de afwasmachine of met de hand, met behulp van een mild afwasmiddel of vloeibare zeep.

Op afbeelding 5 ziet u hoe u het antivetfilter moet vervangen.

In sommige modellen is een acrylfilter toegepast. Dit moet minimaal eenmaal per 2 maanden vervangen worden, of vaker bij intensief gebruik.

Actieve koolfilter

Het actieve-koolfilter uitsluitend gebruiken wanneer de afzuigkap niet is verbonden met een ventilatiekanaal. Het actieve-koolfilter absorbeert geurtjes totdat het verzadigd is. Het kan niet gewassen of geregeneerd worden en het moet minimaal eenmaal per 3-4 maanden vervangen worden, of vaker bij intensief gebruik.

Op afbeelding 6 ziet u hoe u het koolfilter moet vervangen.

Verlichting

Gebruik lampjes / halogeenlampjes / led-modules met dezelfde parameters als degenen die fabrieksmatig zijn geïnstalleerd. Op afbeelding 7 ziet u hoe u de verlichting moet vervangen. Indien de afbeelding niet voorkomt in deze gebruiksaanwijzing, mag de verlichtingsmodule alleen worden vervangen door de geautoriseerde service.

GARANTIE, SERVICE

Garantie

De garantieverplichtingen blijken uit het garantiebewijs. De producent is niet aansprakelijk voor schade die is veroorzaakt door oneigenlijk gebruik van het product.

Service

- De producent van het apparaat raadt aan om alle reparaties en afstelwerkzaamheden uit te laten voeren door de fabrieksservice of de geautoriseerde service van de producent. Om veiligheidsredenen mag u het apparaat niet zelf repareren.
- Reparaties die zijn uitgevoerd door personen die niet over de vereiste kwalificaties beschikken, kunnen een ernstig gevaar opleveren voor de gebruiker van het apparaat.
- De minimale garantieperiode voor het apparaat die door de fabrikant, importeur of gevolmachtigde wordt aangeboden, staat vermeld op het garantiebewijs.
- Het apparaat verliest zijn garantie als gevolg van eigenhandige aanpassingen, wijzigingen, schending van de verzegeling of andere beveiligingen van het apparaat of onderdelen daarvan, en andere eigenhandige interventie in de apparatuur die niet in overeenstemming is met de gebruiksaanwijzing.

Reparatiemelding en assistentie bij storingen


Als het apparaat gerepareerd moet worden, moet u contact opnemen met de klantenservice. De adresgegevens en het telefoonnummer van de klantenservice vindt u op het garantiebewijs. Als u contact opneemt, zorg er dan voor dat u het serienummer van het apparaat bij de hand heeft, dit staat op het typeplaatje. Voor uw gemak kunt u het hieronder noteren:

--	--	--	--	--	--	--	--	--	--	--	--	--	--	--	--	--	--	--	--	--	--	--

Verklaring van de producent

Hierbij verklaart de producent, dat het product aan de eisen van de onderstaande Europese richtlijnen voldoet:

- Laagspanningsrichtlijn 2014/35/EC
- Richtlijn elektromagnetische compatibiliteit 2014/30/EC
- Richtlijn 2009/125/EC
- Richtlijn RoHS 2011/65/EC

en over de certificering  en de conformiteitsverklaring voor organen die toezicht op de markt houden beschikt.

Szanowny Kliencie

Od dziś codzienne obowiązki staną się prostsze niż kiedykolwiek. Urządzenie **Amica** to połączenie wyjątkowej łatwości obsługi i doskonałej efektywności. Po przeczytaniu instrukcji, obsługa nie będzie problemem.

Sprzęt, który opuścił fabrykę był dokładnie sprawdzony przed zapakowaniem pod względem bezpieczeństwa i funkcjonalności na stanowiskach kontrolnych.

Prosimy Państwa o uważną lekturę instrukcji obsługi przed uruchomieniem urządzenia. Przestrzeganie zawartych w niej wskazówek uchroni Państwa przed niewłaściwym użytkowaniem. Instrukcję należy zachować i przechowywać tak, aby mieć ją zawsze pod ręką.

Należy dokładnie przestrzegać instrukcji obsługi w celu uniknięcia nieszczęśliwych wypadków.

Z poważaniem

Amica

WSKAZÓWKI DOTYCZĄCE BEZPIECZEŃSTWA

- Okap należy używać dopiero po przeczytaniu tej instrukcji
- Urządzenie przeznaczone jest wyłącznie do użytku domowego.
- Producent zastrzega sobie możliwość dokonywania zmian niewpływających na działanie urządzenia.
- Producent nie ponosi żadnej odpowiedzialności za ewentualne szkody lub pożary spowodowane przez urządzenie wynikające z nieprzestrzegania zaleceń podanych w niniejszej instrukcji.
- Okap nadkuchenny służy do usuwania oparów kuchennych. Nie należy go używać do innych celów.
- Okap pracujący w trybie wyciągu należy podłączyć do odpowiedniego kanału wentylacyjnego (nie podłączać do kanałów kominowych, dymowych lub spalinowych, będących w eksploatacji). Okap wymaga zainstalowania przewodu odprowadzającego powietrze na zewnątrz. Długość przewodu (najczęściej rura \varnothing 120 mm lub 150 mm) nie powinna być dłuższa niż 4-5 m. Przewód odprowadzający powietrze jest również wymagany przy okapach teleskopowych i meblowych w trybie pochłaniacza.
- Okap pracujący w trybie pochłaniacza wymaga zainstalowania filtra z węglem aktywnym. W tym przypadku nie wymaga się instalowania przewodu odprowadzającego powietrze na zewnątrz, zaleca się natomiast montaż kierownicy wydmuchu powietrza (występuje głównie w okapach kominowych).
- Okap posiada niezależne oświetlenie oraz wentylator wyciągowy z możliwością ustawienia jednej z kilku prędkości obrotowych.
- W zależności od wersji urządzenia, okap jest przeznaczony do trwałego zamocowania na pionowej

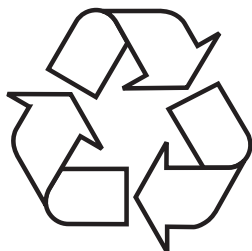
ścianie ponad kuchenką gazową lub elektryczną (okapy kominowe i uniwersalne); na suficie ponad kuchenką gazową lub elektryczną (okapy wyspowe); na pionowej ścianie w zabudowie meblowej ponad kuchenką gazową lub elektryczną (okapy teleskopowe i do zabudowy). Przed montażem należy się upewnić czy konstrukcja ściany / sufitu jest odpowiednia do utrzymania okapu. Niektóre modele okapów są bardzo ciężkie.

- Wysokość montażu urządzenia nad płytą elektryczną podana jest w karcie produktu (specyfikacji technicznej urządzenia). Jeżeli w instrukcjach instalowania urządzeń gazowych podano większą odległość, należy to uwzględnić (Rys. 1);
- Pod okapem kuchennym nie wolno pozostawiać odkrytego płomienia, podczas zdejmowania naczyń znad palnika, należy ustawić minimalny płomień. Zawsze należy sprawdzać czy płomień nie wykracza poza naczynie, gdyż powoduje to niepożądane straty energii i niebezpieczną koncentrację ciepła.
- Potrawy przygotowywane na tłuszczach powinny być stale nadzorowane, gdyż przegrzany tłuszcz może się łatwo zapalić.
- Przed każdą operacją czyszczenia, wymianą filtra lub przed podjęciem prac naprawczych, należy wyjąć wtyczkę urządzenia z gniazdka.
- Filtr przeciw tłuszczowy do okapu kuchennego należy czyścić, co najmniej, raz na 1 miesiąc, gdyż nasycony tłuszczem jest łatwopalny.
- Jeżeli w pomieszczeniu, oprócz okapu, eksploatuje się inne urządzenia o zasilaniu nieelektrycznym (np. piece na paliwa ciekłe, grzejniki przepływowe, termy), należy zadbać o wystarczającą wentylację (dopływ powietrza). Bezpieczna eksploatacja jest możliwa, gdy przy jednoczesnej pracy okapu i urządzeń spalających, zależnych od powietrza w pomieszczeniu, w miejscu ustawienia tych urządzeń panuje podciśnienie najwyżej 0,004 milibara (ten punkt nie obowiązuje, gdy okap nadkuchenny jest użytkowany jako pochłaniacz zapachów).

- Okap nie powinien służyć jako płaszczyzna podparcia dla osób znajdujących się w kuchni.
- Okap powinien być często czyszczony zarówno na zewnątrz jak i od wewnątrz (PRZYNAJMNIEJ RAZ W MIESIĄCU, z zachowaniem wskazówek dotyczących konserwacji podanych w niniejszej instrukcji). Nieprzestrzeganie zasad dotyczących czyszczenia okapu oraz wymiany filtrów powoduje powstanie zagrożenia pożarem.
- Jeżeli przewód zasilający ulegnie uszkodzeniu, to powinien być wymieniony w specjalistycznym zakładzie naprawczym.
- Należy zapewnić możliwość odłączenia urządzenia od sieci elektrycznej, poprzez wyjęcie wtyczki lub wyłączenie wyłącznika dwubiegunowego.
- Niniejszy sprzęt nie jest przeznaczony do użytkowania przez osoby (w tym dzieci) o ograniczonej zdolności fizycznej, czuciowej lub psychicznej, lub osoby o braku doświadczenia lub znajomości sprzętu, chyba że odbywa się to pod nadzorem lub zgodnie z instrukcją użytkowania sprzętu, przekazaną przez osoby odpowiadające za ich bezpieczeństwo.
- Należy zwrócić szczególną uwagę, aby z urządzenia nie korzystały pozostawione bez opieki dzieci.
- Sprawdzić, czy napięcie podane na tabliczce znamionowej odpowiada miejscowym parametrom zasilania.
- Przed montażem rozwinąć i wyprostować przewód sieciowy.
- Materiały opakowaniowe (woreczki polietylenowe, kawałki styropianu itp.) należy w trakcie rozpakowywania trzymać z dala od dzieci.
- Przed podłączeniem okapu do zasilania sieciowego należy zawsze skontrolować czy kabel zasilania został prawidłowo zainstalowany i NIE został przygnieciony przez okap w trakcie czynności montażowych. Nie podłączać urządzenia do sieci elektrycznej przed ukończeniem montażu.
- Zabrania się użytkować okap bez zamontowanych aluminiowych filtrów przeciwłuszczych.

- Surowo zabrania się przygotowywania pod okapem potraw z użyciem otwartego ognia (flambrowanie).
- W zakresie koniecznych do zastosowania środków technicznych i bezpieczeństwa dotyczących odprowadzania spalin należy ściśle przestrzegać przepisów wydanych przez kompetentne władze lokalne.
- Niedokręcenie śrub oraz elementów mocujących zgodnie z niniejszymi instrukcjami może spowodować zagrożenia zdrowia i życia.
- Okapy wiszące działają tylko w trybie pochłaniania zapachów
- UWAGA! Instalacja śrub i elementów mocujących niezgodnie z instrukcją może spowodować zagrożenia elektryczne.
- Montaż okapu wykonany w sposób niezgodny z rysunkami i zaleceniami niniejszej instrukcji będzie miał wpływ na jakość pracy urządzenia, może być również podstawą do nieuznania reklamacji.
- To urządzenie może być używane przez dzieci w wieku 8 lat i starsze, przez osoby o ograniczonej zdolności fizycznej, czuciowej lub psychicznej oraz osoby o braku doświadczenia lub znajomości sprzętu, gdy są one nadzorowane lub zostały poinformowane na temat korzystania z urządzenia w sposób bezpieczny i znają zagrożenia związane z użytkowaniem urządzenia. Dzieci nie powinny bawić się urządzeniem. Czyszczenie i konserwacja urządzenia nie powinna być wykonywana przez dzieci chyba że ukończyły 8 lat i są nadzorowane przez odpowiednią osobę.

ROZPAKOWANIE



Urządzenie na czas transportu zostało zabezpieczone przed uszkodzeniem. Po rozpakowaniu urządzenia prosimy Państwa o usunięcie elementów opakowania w sposób niezagrażający środowisku.

Wszystkie materiały zastosowane do opakowania są nieszkodliwe dla środowiska naturalnego, w 100% nadają się do odzysku i oznakowano je odpowiednim symbolem.

Uwaga! Materiały opakowaniowe (woreczki polietylenowe, kawałki styropianu itp.) należy w trakcie rozpakowywania trzymać z dala od dzieci.

USUWANIE ZUŻYTYCH URZĄDZEŃ



To urządzenie jest oznaczone zgodnie z Dyrektywą Europejską 2012/19/UE oraz polską Ustawą o zużytym sprzęcie elektrycznym i elektronicznym symbolem przekreślonego kontenera na odpady. Takie oznakowanie informuje, że sprzęt ten, po okresie jego użytkowania, nie może być umieszczany łącznie z innymi odpadami pochodzącymi z gospodarstwa domowego.








Użytkownik jest zobowiązany do oddania go prowadzącym zbieranie zużytego sprzętu elektrycznego i elektronicznego. Prowadzący zbieranie, w tym lokalne punkty zbiórki, sklepy oraz gminne jednostki, tworzą odpowiedni system umożliwiający oddanie tego sprzętu.

Właściwe postępowanie ze zużytym sprzętem elektrycznym i elektronicznym przyczynia się do uniknięcia szkodliwych dla zdrowia ludzi i środowiska naturalnego konsekwencji, wynikających z obecności składników niebezpiecznych oraz niewłaściwego składowania i przetwarzania takiego sprzętu.

OBSŁUGA

Sterowanie okapem

Panel sterowania okapu jest przedstawiony na rysunku 4, dla przypomnienia znajduje się on również poniżej:

-  0 Panel sterowania wyposażony jest w przyciski (izostat). Aby włączyć okap wybierz jeden z poniżej opisanych biegów poprzez naciśnięcie odpowiedniego przycisku:
-  1 1- Bieg najniższy. Stosuj ten bieg przy niezbyt dużej ilości oparów.
2- Bieg średni. Stosuj ten bieg przy średniej ilości oparów, przykładowo podczas gotowania wielu potraw jednocześnie.
-  2 3- Bieg najwyższy. Stosuj ten bieg przy największej ilości oparów, przykładowo podczas smażenia czy grillowania.
-  3 0- Wyłącza okap
-   Przycisk oznaczony jako  służy do włączenia lub wyłączenia oświetlenia. Oświetlenie w okapie działa niezależnie od biegu silnika.

Inne ważne informacje dotyczące obsługi okapu

Praca jako pochłaniacz: W tej opcji pracy przefiltrowane powietrze wraca z powrotem do pomieszczenia poprzez otwory do tego przystosowane. Przy tym ustawieniu należy zamontować filtr węglowy oraz zaleca się zamontować kierownicę wydmuchu powietrza (dostępność w zależności od modelu, występuje głównie w okapach kominowych).

Praca jako wyciąg: W trakcie wyciągowego trybu pracy okapu powietrze odprowadzane jest na zewnątrz specjalnym przewodem. Przy tym ustawieniu należy usunąć ewentualny filtr węglowy. Okap jest podłączony do otworu odprowadzającego powietrze na zewnątrz za pomocą sztywnego lub elastycznego przewodu o średnicy 150 mm lub 120 mm i odpowiednich zacisków do przewodów, które należy nabyć w placówkach z materiałami instalacyjnymi. Podłączenie należy zlecić wykwalifikowanemu instalatorowi.

Prędkość wentylatora: Prędkości najniższą i średnią stosuje się przy normalnych warunkach oraz małym natężeniu oparów, natomiast prędkość najwyższą stosować tylko przy dużym stężeniu oparów kuchennych, np. podczas smażenia, czy grillowania.

Uwaga (dotyczy tylko okapów uniwersalnych): Konstrukcja okapów uniwersalnych wymaga ręcznej zmiany trybu pracy okapu. Sposób zmiany tego trybu zobrazowany jest na rysunku 8.

Uwaga (dotyczy tylko okapów meblowych i teleskopowych): Okapy meblowe i teleskopowe pracujące w trybie pochłaniacza wymagają montażu rury odprowadzającej powietrze. Drugi koniec rury należy skierować na pomieszczenie, przez nią będzie odprowadzane przefiltrowane powietrze.

Uwaga: Okapy wiszące pracują tylko w trybie pochłaniacza.

CZYSZCZENIE I KONSERWACJA

Konserwacja

Regularna konserwacja i czyszczenie urządzenia zapewni dobrą i bezawaryjną pracę okapu oraz przedłuży jego żywotność. Należy zwracać szczególną uwagę, aby filtr przeciwłuszczowy i filtr z węglem aktywnym były czyszczone i wymieniane zgodnie z zaleceniami producenta.

- Nie używać namoczonych szmatek lub gąbek ani strumienia wody.
- Nie stosować rozpuszczalników ani alkoholu, ponieważ mogą one zmatowić lakierowane powierzchnie.
- Nie stosować substancji żrących, zwłaszcza do czyszczenia powierzchni wykonanych ze stali nierdzewnej.
- Nie używać twardej, szorstkiej szmatki
- Zaleca się stosowanie wilgotnej szmatki oraz obojętnych środków myjących.

Uwaga: Po kilku myciach w zmywarce, kolor filtra aluminiowego może ulec zmianie. Zmiana koloru nie oznacza nieprawidłowości oraz konieczności jego wymiany.

Filtr przeciwłuszczowy

Filtr przeciwłuszczowy powinien być czyszczony co jeden miesiąc podczas normalnej pracy okapu, w zmywarce lub ręcznie przy użyciu delikatnego detergentu lub mydła w płynie.

Demontaż filtra przeciwłuszczowego pokazany jest na rysunku 5.

W niektórych modelach zastosowany jest filtr akrylowy. Należy go wymieniać co najmniej raz na 2 miesiące lub częściej w wypadku wyjątkowo intensywnego użycia.

Filtr węglowy

Filtr węglowy stosuje się wyłącznie wtedy, kiedy okap nie jest podłączony do przewodu wentylacyjnego. Filtr z węglem aktywnym posiada zdolność pochłaniania zapachów aż do swego nasycenia. Nie nadaje się także do mycia ani do regeneracji i powinien być wymieniany, co najmniej raz na 3-4 miesiące lub częściej w wypadku wyjątkowo intensywnego użycia.

Demontaż filtra węglowego pokazany jest na rysunku 6.

Oświetlenie

Należy stosować żarówki / halogeny / moduły diodowe o takich samych parametrach jak fabrycznie zamontowane w urządzeniu. Wymiana oświetlenia jest pokazana na rysunku 7. Jeżeli rysunek nie występuje w niniejszej instrukcji, wymiany modułu oświetlenia może dokonać jedynie autoryzowany serwis.

GWARANCJA, OBSŁUGA POSPRZEDAŻOWA

Gwarancja

Świadczenia gwarancyjne wg karty gwarancyjnej. Producent nie odpowiada za jakiegokolwiek szkody spowodowane nieprawidłowym postępowaniem z wyrobem.

Serwis

- Producent sprzętu sugeruje, by wszelkie naprawy i czynności regulacyjne były wykonywane przez Serwis Fabryczny lub Serwis Autooryzowany producenta. Ze względu na bezpieczeństwo nie należy naprawiać urządzenia we własnym zakresie.
- Naprawy, wykonywane przez osoby nie posiadające wymaganych kwalifikacji mogą stanowić poważne niebezpieczeństwo dla użytkownika urządzenia.
- Minimalny okres obowiązywania gwarancji na urządzenie oferowane przez producenta, importera lub upoważnionego przedstawiciela jest podany w karcie gwarancyjnej.
- Urządzenie traci gwarancję w wyniku samowolnych adaptacji, przeróbek, naruszenia plomb lub innych zabezpieczeń sprzętu lub jego części oraz innych samowolnych ingerencji w sprzęt niezgodnych z instrukcją obsługi.

Zgłoszenie naprawy oraz pomoc w razie usterki

Jeżeli urządzenie wymaga naprawy, należy skontaktować się z serwisem. Dane adresowe serwisu jak i kontaktowy numer telefonu znajduje się w karcie gwarancyjnej. Przed kontaktem należy przygotować numer seryjny urządzenia, znajduje się on na tabliczce znamionowej. Dla wygody przepisz go poniżej:

--	--	--	--	--	--	--	--	--	--	--	--	--	--	--

Oświadczenie producenta

Producent deklaruje niniejszym, że wyrób ten spełnia zasadnicze wymagania wymienionych poniżej dyrektyw europejskich:

- Dyrektywy niskonapięciowej 2014/35/EU
- Dyrektywy kompatybilności elektromagnetycznej 2014/30/EU
- Dyrektywy ekoprojektowania 2009/125/EC
- Dyrektywy RoHS 2011/65/EU

i dlatego wyrób został oznakowany  oraz została wystawiona dla niego deklaracja zgodności udostępniana organom nadzorującym rynek.

Štovani Klijenti

Od danas svakodnevne obveze nikad nisu bile jednostavnije. Uređaj **Amica** je spoj iznimno jednostavnog rukovanja i savršene učinkovitosti. Uporaba je jednostavna nakon čitanja uputa.

Oprema koja je izašla iz tvornice je prije pakiranja rigorozno provjerena na kontrolnim točkama na području sigurnosti i funkcionalnosti.

Molimo Vas da prije pokretanja uređaja pažljivo pročitate upute za uporabu. Pridržavanje pravila iz uputa štiti Vas od nepravilne eksploatacije. Upute sačuvati i čuvati na mjestu koje je uvijek pri ruci.

Pozorno pročitati upute za uporabu da bismo izbjegli nezgode.

Sa štovanjem

Amica

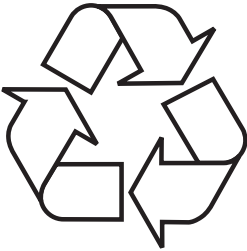
SIGURNOSNE NAPOMENE

- Napu koristiti tek nakon čitanja uputa za uporabu.
- Uređaj je namijenjen isključivo za kućansku uporabu.
- Proizvođač pridržava pravo na promjene koje ne utječu na rad uređaja.
- Proizvođač ne snosi nikakvu odgovornost za potencijalne štete ili požare koje je prouzrokovao uređaj zbog nepridržavanja uputa za uporabu.
- Kuhinjske nape služe za odvođenje onečišćenog zraka, pare i dima iz kuhinje. Ne koristiti u druge svrhe.
- Napu u usisnoj verziji priključiti u odgovarajući kanal za ventilaciju (napu se ne smije priključiti na dimnjake kotlova, kamina, odvoda koji služe za odvod dima nastalog uslijed sagorijevanja. Napa zahtijeva montažu ispušne cijevi za zrak. Dužina voda (najčešće cijev \varnothing 120 mm ili 150 mm) ne bi trebala prekoračiti 4-5 m. Crijevo za odvod zraka je neophodno i kod teleskopskih i ugradbenih napa s režimom recirkulacije zraka.
- Napa u verziji s cirkuliranjem zraka zahtijeva instalaciju filtera s aktivnim ugljenom. U tom slučaju nije neophodna montaža cijevj koja odvodi zrak u vanjsku ventilaciju, preporučena je instalacija poklopca usmjeravanje zraka (samo kaminske nape).
- Napa posjeduje neovisnu rasvjetu i usisni ventilator s mogućnosti podešavanja nekoliko brzina okretaja.
- Ovisno o verziji napa je namijenjena za trajnu montažu na okomitom zidu iznad plinskog ili električnog štednjaka (kaminske ili univerzalne nape); na stropu iznad električnog ili plinskog štednjaka (otocna); na okomitom zidu u namještaju iznad plinskog ili električnog štednjaka (teleskopske i ugradne nape). Prije montaže provjeriti da li je konstrukcija zida/stropa dovoljno jaka da izdrži napu. Neki modeli kuhinjskih napa su jako teški.

- Visina montaže uređaja iznad električne ploče je navedena u specifikaciji uređaja (u tehničkim podacima). Ako je u uputama za instalaciju plinskih uređaja navedena veća udaljenost, uzeti u obzir veći razmak (Crt.1).
- Ispod kuhinjske nape ne ostavljati otkriveni plamen, tijekom skidanja posuda s plamenika podesiti minimalni plamen. Uvijek provjeriti da li plamen ne izlazi ispod posude, jer to uzrokuje nepoželjne gubitke energije i opasnu koncentraciju topline.
- Jela koja su pripremana na masnoć stalno nadzirati, jer se pregrijana masnoća može lako upaliti.
- Prije svakog čišćenja, promjene filtera ili popravaka izvući utikač iz mrežne utičnice.
- Filter za masnoću čistiti najmanje jednom, mjesečno, jer je zapaljiv kad je zasićen masnoćom.
- Ako su u prostoriji osim nape korišteni neki drugi neelektrični uređaji (peći na tekuća goriva, radijatori, terme) pobrinuti se za dovoljnu ventilaciju (dovod zraka). Ako napu koristite u istovremeno s uređajima koji se ne napajaju električnom energijom, podtlak u prostoriji ne smije prelaziti 0,004 mbar, čime se sprječava da napa povuče ispusne plinove natrag u prostoriju. (ova napomena ne obvezuje kad je napa korištena u filter verziji).
- Na kuhinjsku napu se ne mogu naslanjati osobe koje se nalaze u kuhinji.
- Napa treba često čistiti kako izvana, tako i iznutra (NAJMANJE JEDNOM MJESEČNO), pridržavati se napomena o održavanju navedenih u ovim uputama). Nepridržavanje pravila čišćenja nape i promjene filtera može stvoriti opasnost od požara.
- Ako se kabel za napajanje ošteti, promijeniti ga na ovlaštenom servisnom mjestu.
- Mora postojati mogućnost isključivanja uređaja iz električne mreže, izvlačenjem utikača ili isključivanjem dvopolnog prekidača.
- Ovaj uređaj ne mogu koristiti osobe (uključujući djecu), smanjenih tjelesnih, osjetilnih i mentalnih mogućnosti ili osobe koje ne raspolažu znanjem ili iskustvom, ako nisu su pod nadzorom odrasle osobe koja je odgovorna za njihovu sigurnost.

- Posebno paziti da uređaj ne koriste djeca ostavljena bez nadzora.
- Provjeriti odgovara li napon električne mreže podacima navedenim na natpisnoj pločici.
- Prije montaže razviti i izravnati kabel za napajanje.
- Elemente pakiranja (polietilenske vrećice, komadići stiropora itd.) prilikom uklanjanja ambalaze držati daleko od djece.
- Prije priključivanja nape na električnu mrežu uvijek provjeriti da li je kabel za napajanje pravilno instaliran i da ga NISMO prignječili napom tijekom montaže. Ne uključivati uređaj u električnu mrežu prije završetka montaže.
- Zabranjena je uporaba nape bez montiranih aluminijskih filtera za masnoću.
- Strogo je zabranjeno pripremanje hrane na otvorenom plamenu ispod kuhinjske nape (flambiranje).
- Što se tiče tehničkih i sigurnosnih mjera za odvodnju dima, strogo se pridržavati lokalnih propisa.
- Vijke pričvrstiti i montirati pričvrstne elemente u skladu s uputama za uporabu. U suprotnom napa može opasna po zdravlje i život.
- Višeće nape djeluju samo u recirkulacijskom režimu
- **PAZNJA!** Neuspješna instalacija vijaka i zatvarača u skladu s ovim uputama, može rezultirati opasnostima električne naravi.
- Ovim uređajem mogu rukovati djeca starija od 8 godina, osobe smanjenih fizičkih, osjetilnih ili mentalnih sposobnosti, kao i osobe s nedovoljnim iskustvom i znanjem, ukoliko su pod nadzorom ili su dobili upute za rad s uređajem na siguran način te razumiju opasnost kojoj su izloženi. Deca se ne smiju igrati uređajem. Djeca mlađa od 8 godina ne smiju čistiti i održavati uređaj, osim ako su ispunila 8 godina i ako nisu pod nadzorom odgovorne osobe

UKLANJANJE PAKIRANJA



Uređaj je za vrijeme transporta zaštićen od oštećenja. Nakon vađenja uređaja iz pakiranja molimo Vas da elemente ambalaze uklonite na način koji ne ugrožava okoliš. Svi materijali korišteni za pakiranje nisu štetni za okoliš, 100% materijala je prikladno za recikliranje, stoga su označeni odgovarajućim simbolom. Pozor! Elemente pakiranja (polietilenske vrećice, komadići stiropora itd.) prilikom uklanjanja ambalaze držati daleko od djece.

ZBRINJAVANJE POTROŠENIH UREĐAJA



Ovaj uređaj je označen u skladu s europskom uredbom 2012/19/EU. Oznaka na proizvodu pokazuje da ovaj proizvod nakon njegovog životnog vijeka ne može biti tretiran kao obični kućanski otpad. Korisnik ima obvezu ovaj proizvod predati na odgovarajuće sabirno mjesto za recikliranje potrošene električne i elektroničke opreme. Ustanove za prikupljanje ovakvog otpada, uključujući lokalne sabirne točke, kupovna mjesta, općinske jedinice, stvaraju odgovarajući sustav koji omogućava zbrinjavanje ovakve opreme. Pravilno odlaganje potrošene električne i elektroničke opreme sprečava potencijalne negativne posljedice za okoliš i ljudsko zdravlje, koje inače mogu biti uzrokovane neodgovarajućim odlaganjem i preradom ovog proizvoda.

UPORABA

Upravljanje napom

Upravljačka ploča nape je predstavljena na crtežu 4, koji se također nalazi niže:



0

Upravljačka ploča je opremljena tipkama (isostat). Za uključivanje nape izabrati jednu od niže opisanih brzina pritiskanjem odgovarajuće tipke:



1

1- Najniža brzina. Ovu brzinu koristiti kod male količine isparenja.
2- Srednja brzina. Ovu brzinu koristiti kod srednje količine isparenja, na primjer tijekom istovremenog kuhanja više jela.



2

3- Najviša brzina. Ovu brzinu koristiti kod najveće količine isparenja, na primjer tijekom prženja ili grilanja.

 - Isključuje napu



3

Tipka označena kao  služi za uključivanje ili isključivanje rasvjete. Rasvjeta nape djeluje neovisno od brzine motora.



Izabrani modeli napa dodatno posjeduju diodu koja mijenja svoju boju ovisno od izabrane brzine motora.

Ostale važne informacije o uporabi nape

Recirkulacijski režim: U ovoj opciji rada filtrirani zrak se opet vraća u prostoriju kroz prilagođene otvore. U ovom režimu treba montirati ugljeni filter i preporučena je montaža usmjerivača odvoda zraka (ovisno o modelu, pojavljuje se uglavnom u napama s dimnjakom).

Odzračni režim: U usisnoj verziji nape zrak je odvođen napolje specijalnim vodom. Izvadite ugljeni filter ako je u napi. Napa je priključena na otvor vanjskog ventilacijskog odvoda preko čvrste ili savitljive cijevi promjera 150 ili 120 mm i odgovarajućih obujmica za cijevi, koje treba kupiti u prodavaonicama s instalacijskim materijalima. Priključivanje obavlja kvalificirani instalater.

Brzine ventilatora Najnižu i srednju brzinu koristiti u normalnim uvjetima male koncentracije isparenja, a najvišu koristimo samo kad je koncentracija kuhinjskih isparenja visoka, np. tijekom prženja i grilanja.

Pozor (tiče se samo univerzalnih napa): Konstrukcija univerzalnih napa zahtijeva ručno mijenjanje režima rada nape. Način promjene tog režima je prikazan na crtežu 8.

Pozor (tiče se samo ugradbenih i teleskopskih napa): Ugradbene i teleskopske nape koje rade u cirkulacijskoj verziji zahtijevaju montažu cijevi za odvod zraka. Drugi kraj cijevi usmjeriti prema prostoriji, kroz cijev je odvođen filtrirani zrak.

Pozor: Viseće nape rade samo u recirkulacijskom režimu.

ČIŠĆENJE I ODRŽAVANJE

Održavanje

Redovito održavanje i čišćenje uređaja jamči dobar i pouzdan rad nape i produžava njezin životni vijek. Posebno paziti da filter za masnoću i filter s aktivnim ugljenom čistimo i mijenjamo u skladu s preporukama proizvođača.

- Ne koristiti krpe namočene u vodi, spužve niti mlaz vode.
- Ne koristiti razrjeđivače niti alkohol, jer mogu zatamniti lakirane površine.
- Ne koristiti korozivne tvari, posebno tijekom čišćenja površina od nehrđajućeg čelika.
- Ne koristiti tvrde, hrapave krpe
- Preporučena je uporaba vlažne krpe i neutralnih sredstava za pranje.

Pozor: Nakon nekoliko pranja u perilici za posuđe boja aluminijskog filtera može se promijeniti. Promjena boje ne znači da je uređaj neispravan ili da je neophodna njegova zamjena.

Filter protiv masnoće

Filter za masnoću čistiti najmanje jednom mjesečno kod normalnog rada nape; u perilici za posuđe ili ručno pomoću delikatnog deterdženta ili tekućeg sapuna.

Demontaža filtera za masnoću pokazana je na crtežu 5.

U nekim modelima je primijenjen akrilni filter. Moramo ga mijenjati maksimalno svaka 2 mjeseca ili češće u slučaju intenzivne uporabe.

Ugljeni filter

Ugljeni filter se koristi samo kad je napa nije priključena u ventilacijsku cijev. Filter s aktivnim ugljenom upija mirise dok se ne zasiti. Nije prikladan za pranje niti za regeneraciju i mijenjamo ga najmanje jednom svaka 3-4 mjeseca ili češće u slučaju intenzivne uporabe.

Demontaža ugljenog filtera je prikazana na crtežu 6.

Rasvjeta

Koristiti žarulje/ halogene / diodne module s istim parametrima kao te koje su tvornički montirane u uređaju. Zamjena žarulje je prikazana na crtežu 7. Ako se crtež ne pojavljuje u uputama, promjenu modula rasvjete obavlja isključivo ovlašteni servis.

JAMSTVO, POSLIJEPRODAJNE AKTIVNOSTI

Jamstvo

Jamstvene usluge u skladu s jamstvenim listom. Proizvođač ne snosi odgovornost za bilo kakvu štetu prouzrokovanu nepravilnom uporabom proizvoda.

Servis

- Proizvođač sugerira da sve popravke i regulacijske djelatnosti obavlja Tvornički Servis ili Ovlašteni Servis proizvođača. Iz sigurnosnih razloga samostalno ne popravljati uređaj.
- Popravci koje obavljaju osobe bez odgovarajućih kvalifikacija uzrokuju ozbiljnu opasnost za korisnika uređaja.
- Minimalno razdoblje jamstva za uređaj, koji nudi proizvođač, uvoznik ili ovlašteni predstavnik, navedeno je u jamstvenom listu.
- Uređaj gubi jamstvo u slučaju samovoljnih promjena ili prepravaka, skidanja plombi ili druge zaštite s uređaja ili njegovih dijelova, ili drugog samovoljnog uplitanja u konstrukciju uređaja koje nije u skladu s uputama za uporabu.

Prijavljivanje popravka i pomoć u slučaju kvara


Ako uređaj zahtijeva popravak, kontaktirati servis. Adresni podaci i kontaktni broj telefona nalaze se u jamstvenom listu. Prije stupanja u kontakt, pripremite serijski broj uređaja koji se nalazi na natpisnoj pločici. Prepišite ga nize kako biste ga imali pri ruci:

--	--	--	--	--	--	--	--	--	--	--	--	--	--	--	--	--	--	--	--

Izjava proizvođača

Proizvođač nižim izjavljuje da ovaj proizvod ispunjava osnovne uvjete niže navedenih europskih uredbi:

- niskonaponske uredbe 2014/35/UE
- uredbe elektromagnetne kompatibilnosti 2014/30/UE
- uredbe ekodizajna 2009/125/EC
- uredbe RoHS 2011/65/EC

i zato je proizvod označen  te je izdana izjava o sukladnosti koja je dostupna ustanovama za nadzor tržišta.

Уважаеми потребителю,

От днес ежедневните задължения ще бъдат по-лесни от всякога. Уредът **Amica** съчетава изключително лесно обслужване и отлична ефективност. След като прочетете инструкцията, обслужването му няма да бъде трудно.

Още в завода, преди да бъде опакован, уредът е старателно тестван за безопасност и функционалност в контролните стендове.

Моля, прочетете внимателно тази инструкция, преди да включите уреда. Спазването на посочените в нея препоръки ще Ви предпази от неправилно използване на уреда. Запазете тази инструкция и я съхранявайте така, че винаги да имате достъп до нея.

Спазвайте стриктно правилата на инструкцията за употреба, за да избегнете нещастни случаи.

С уважение

Amica

ПРЕПОРЪКИ ОТНОСНО БЕЗОПАСНОСТТА

- Преди да използвате аспиратора, трябва да се запознаете с настоящата инструкция
- Уредът е предназначен за използване само в домакинството.
- Производителят запазва правото си да въвежда промени нямащи влияние на действието на уреда.
- Производителят не носи никаква отговорност за евентуални щети или пожари, причинени от уреда, възникнали в резултат на неспазване на указанията от настоящата инструкция.
- Кухненският аспиратор е предназначен за отвеждане на парата от помещението. Не бива да се използва за други цели.
- Аспиратор, работещ в режим на отвеждане на парата, трябва да бъде присъединен към съответен вентилационен канал (не бива да се присъединява към комини и канали за отвеждане на дим или изгорели газове, които се използват). За правилната работа на аспиратора е необходим монтаж на канал, отвеждащ въздуха навън. Дължината на канала (обикновено тръба Ø 120 mm или 150 mm) не трябва да бъде по-голяма от 4-5 метра. При телескопичните и мебелните аспиратори, работещи в режим абсорбатор, също се изисква канал за отвеждане на въздуха.
- За правилната работа на аспиратор, работещ в режим абсорбиране, е необходимо инсталирането на филтър с активен въглен. В този случай не е необходимо инсталирането на отвеждащ въздуха навън канал, но се препоръчва монтаж на направляваща клапа на въздушния поток (само за коминни аспиратори).
- Аспираторът е оборудван с независимо осветление и смукателен вентилатор с възможност за настройка на една от няколко достъпни скорости на работа.

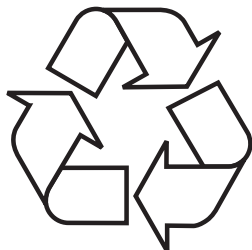
- В зависимост от версията на уреда аспираторът е предназначен за стационарен монтаж върху вертикална стена над газова или електрическа печка (коминни и универсални аспиратори); върху тавана над газова или електрическа печка (аспиратори за кухненски остров); върху вертикална стена с вграждане в кухненски шкаф над газова или електрическа печка (телескопични аспиратори и аспиратори за вграждане). Преди монтажа трябва да се уверите, дали конструкцията на стената / тавана е подходяща да издържи теглото на аспиратора. Някои от моделите аспиратори са много тежки.
- Височината на монтаж на уреда над електрически кухненски плот е посочена в картата на продукта (техническа спецификация на уреда). Ако в инструкциите за инсталиране на газовите устройства е посочено по-голямо разстояние, това условие трябва да се спази (Фиг. 1).
- Под кухненския аспиратор не бива да се оставя открит пламък. По време на снемане на съдовете от газовата горелка пламъкът трябва да е настроен на минимум. Винаги трябва да се провери, дали пламъкът не излиза извън дъното на съда, тъй като това причинява сериозни загуби на енергия и опасно кумулиране на топлина.
- Ястията, приготвяни върху мазнини трябва да бъдат под непрекъснат надзор, тъй като нагорещената мазнина може лесно да се запали.
- Преди всяко почистване, смяна на филтъра или провеждане на ремонтни дейности трябва да изключите щепсела на уреда от контакта.
- Филтърът срещу мазнини на кухненския аспиратор трябва да се почиства най-малко веднъж месечно, тъй като напоен с мазнина е леснозапалим.
- Ако в помещението, освен аспиратора, се използват други уреди, които не се хранят от електричество (например печки за течни горива, радиатори, водни нагреватели), трябва да осигурите съответна вентилация на помещението (приток на въздух). Безопасната екс-

плоатация е възможна, ако при едновременната работа на аспиратора и изгарящите уреди, зависими от въздуха в помещението, в мястото на инсталирането на тези уреди стойността на подналягането не надвишава 0,004 милибара (това условие не важи, когато кухненският аспиратор се използва като абсорбатор на мизирми).

- Аспираторът не бива да се използва като подпорна повърхност от лицата, намиращи се в кухнята.
- Аспираторът трябва да се почиства често както отвън, така и отвътре (ПОНЕ ВЕДНЪЖ МЕСЕЧНО със спазване на указанията, посочени в настоящата инструкция). Неспазването на правилата за почистване на аспиратора и подмяна на филтрите може да доведе до опасност от пожар.
- В случай на увреждане на хранящия кабел трябва да го подмените в специализиран сервиз.
- Трябва да бъде осигурена възможност за изключване на уреда от хранящата мрежа чрез изваждане на щепсела или изключване на двуполусния прекъсвач.
- Това оборудване не е предназначено за използване от лица (включително деца) с намалени физически, сетивни или умствени способности или лица без опит или познания, освен ако те са под наблюдение или са инструктирани относно използването на оборудването от лицата, отговорни за тяхната безопасност.
- Трябва да обърнете особено внимание, уредът да не се ползва от деца без надзор.
- Проверете, дали посоченото върху информационната табела на уреда напрежение е в съответствие с параметрите на местната храняща мрежа.
- Преди монтажа развийте и изправете хранящия кабел.
- По време на разопаковане опаковъчните материали (торби от полиетилен, стиропор и т.н.) трябва да се държат далеч от деца.

- Преди включване на аспиратора към хранващата мрежа винаги трябва да проверите, дали хранващият кабел е инсталиран правилно и НЕ е смачкан от аспиратора по време на монтажните дейности. Не включвайте уреда към електрическата мрежа преди завършване на монтажа.
- Ползването на аспиратора без монтирани алуминиеви филтри срещу мазнини е забранено.
- Строго е забранено приготвянето на ястия под аспиратора с използване на открит пламък (фламбиране).
- Следва стриктно да се спазват издадените от местните власти разпоредби, отнасящи се за необходимите за прилагане технически средства и средства за безопасност в областта на отвеждането на изгорели газове.
- Недостатъчното затягане на винтовете и закрепващите елементи в съответствие с настоящата инструкция може да доведе до опасност за здравето и живота.
- Всяките аспиратори работят само в режим за абсорбиране на миризми
- **ВНИМАНИЕ!** Неинсталирането на болтовете и механизмите за фиксиране в съответствие с настоящите инструкции може да доведе до рискове от електрическо естество.
- Това устройство може да се използва от деца на възраст от 8 години и по-големи, от лица с ограничени физически, сетивни или умствени способности или с липса на опит и познания, ако те са под надзор или са били инструктирани, как да използват уреда по безопасен начин и познават опасностите, свързани с използването на уреда. Децата не бива да си играят с уреда. Почистването и поддръжката на уреда не бива да се извършва от деца освен, ако са навършили 8 години и са под надзор на съответно лице.

РАЗОПАКОВАНЕ



Устройството е защитено от повреди по време на транспорт. След разопаковане на устройството, моля, не забравяйте да премахнете опаковъчните материали по екологично съобразен начин.

Всички материали, използвани за опаковане, са безопасни за околната среда, 100% рециклируеми и затова са отбелязани със съответния символ.

Внимание! По време на разопаковане опаковъчните материали (торби от полиетилен, стиропор и т.н.) трябва да се държат далеч от деца.

ОБЕЗВРЕЖДАНЕ НА ИЗНОСЕНИ УРЕДИ



Това устройство е маркирано в съответствие с Европейската директива 2012/19/ЕС. Тази маркировка показва, че това оборудване, след определен период на ползване, не може да се изхвърля заедно с другите битови отпадъци.









Потребителят е длъжен да го предаде там, където се събират отпадъци от електрическо и електронно оборудване. Събирателните пунктове, в това число местни пунктове за събиране, магазини или общински структури създават система, която позволява предаване на оборудването.

Подходящото третиране на отпадъците от електрическо и електронно оборудване помага за избягване на вредни за човешкото здраве и околната среда последици, произтичащи от наличието на опасни вещества, както и неправилно съхранение и обработка на такова оборудване.

ОБСЛУЖВАНЕ

Управление на абсорбатора

Панелът за управление на абсорбатора е представен върху фиг. 4, намира се също така и по-долу:

-  0 Панелът за управление е оборудван с бутони (izostat).
За да включите абсорбатора, трябва да изберете една от описаните по-долу скорости чрез натискане на съответния бутон:
-  1 1- Най-ниска скорост. Тази скорост се използва при малко количество пара.
-  2 2- Средна скорост. Тази скорост се използва при средна интензивност на парата, например по време на готвене на много ястия наведнъж.
-  3 3- Най-висока скорост. Тази скорост е предназначена за използване при най-висока интензивност на парата - например по време на пържене или печене на грил.
-  0- Изключва абсорбатора
-   Бутонът, означен като  е предназначен за включване или изключване на осветлението. Осветлението в абсорбатора функционира независимо от двигателя.

Други важни информации за обслужването на абсорбатора

Работа като абсорбатор: При тази опция филтрираният въздух се връща обратно в помещението посредством предвидените за това отвори. При този режим на работа трябва да монтирате въглен филтър и се препоръчва монтиране на направляващ потока на въздуха елемент (достъпен в зависимост от модела, среща се главно в абсорбаторите от коминен тип).

Работа като аспиратор: В режим за отвеждане на въздуха аспираторът отвежда въздуха навън през специален канал. При този режим на работа трябва да отстраните евентуалния въглен филтър. Аспираторът е присъединен към отвеждащия въздуха отвор с помощта на твърда или еластична тръба с диаметър 150мм или 120мм и съответни скоби за тези тръби, които трябва да се закупят в магазините за инсталационни материали. Свързването на аспиратора към отвора трябва да бъде извършено от квалифициран инсталатор.

Скорост на вентилатора Най-ниската и средната скорост се използват при нормални условия и малка интензивност на парата. Най-високата скорост да се използва само при висока интензивност на парата в кухнята, например при пържене или печене на скара.

Забележка (отнася се само за универсалните абсорбатори): Конструкцията на универсалните абсорбатори изисква ръчна смяна на режима на работа на уреда. Начинът на смяна на режима е показан върху фигура 8.

Забележка (отнася се само за вградени в мебели и телескопични аспиратори): В случай на аспираторите за вграждане в кухненски шкаф и телескопичните аспиратори, които работят в режим абсорбатор, трябва да се инсталира тръба, отвеждаща въздуха. Вторият край на тръбата трябва да насочите към помещението, през нея ще бъде отвеждан филтрирания въздух.

Забележка: Висящите аспиратори работят само в режим абсорбатор.

ПОЧИСТВАНЕ И ПОДДРЪЖКА

Поддръжка

Редовната поддръжка и почистване на уреда ще осигурят добра и безаварийна работа на аспиратора и ще удължат неговия експлоатационен живот. Трябва да се обърне особено внимание почистването и смяната на филтъра за мазнини и въгления филтър да се изпълнява съгласно препоръките на производителя.

- Да не се използват овлажнени кърпи или гъби, нито водна струя.
- Да не се използват разтворители, нито алкохол, тъй като могат да причинят матиране на лакираните повърхности.
- Да не се използват разяждащи вещества, особено за почистване на повърхности, изработени от неръждаема стомана.
- Да не се използва твърда, драскаща кърпа
- Препоръчва се използването на влажна кърпа и неутрални миещи препарати.

Забележка: След няколкократно миене в съдомиялна машина цветът на алуминиевия филтър може да се промени. Промияната на цвета не означава несъответствие и не е необходима смяна на филтъра.

Филтър за мазнини

Филтър за мазнини трябва да се почиства ежемесечно при нормална работа на аспиратора. Да се мие в съдомиялна машина или ръчно с използване на неагресивен миещ препарат или течен сапун.

Демонтажът на филтър за мазнини е показан върху фигура 5.

В някои от моделите е използван акрилен филтър. Трябва да се сменява поне веднъж на 2 месеца или по-често в случай на изключително интензивно използване.

Въглен филтър

Въгленият филтър се използва само тогава, когато аспираторът не е присъединен към вентилационен канал. Филтърът с активен въглен има способност да поглъща миризмите, докато се насити. Не е подходящ за миене, нито за регенериране и трябва да се сменява поне веднъж на 3-4 месеца или по-често в случай на изключително интензивно използване.

Демонтажът на въгления филтър е показан върху фигура 6.

Осветление

Трябва да използвате крушки / халогенни лампи / диодни модули със същите параметри, както фабрично монтираните в уреда. Начинът на смяна на осветителните тела е показан върху фигура 7. Ако в настоящата инструкция тази фигура не е показана, това означава, че осветлението може да бъде подменено само от оторизиран сервиз.

ГАРАНЦИЯ, СЛЕД ПРОДАЖБЕНО ОБСЛУЖВАНЕ

Гаранция

Гаранционна поддръжка според гаранционната карта. Производителят не отговаря за повреди и каквито и да било щети, настъпили в резултат от неправилното използване на уреда.

Сервиз

- Производителят на оборудването препоръчва всички ремонти и дейности по настройка да се извършват от Фабричния Сервиз или от Оторизиран Сервиз на Производителя. С оглед на безопасност не бива да ремонтирате уреда самостоятелно.
- Ремонти, изпълнени от неквалифицирани лица, могат да представляват сериозна опасност за потребителя на уреда.
- Минималният срок на валидност на гаранцията на уреда, предоставена от производителя, вносителя или упълномощения представител е посочен в гаранционната карта.
- Уредът губи своята гаранция в случай на извършени самостоятелни адаптации, модификации, нарушения на пломбите или на други обезопасителни средства на съоръжението или на негови части и на други своеволно въведени промени в съоръжението, които са в несъответствие с инструкцията за обслужване.

Заявка за ремонт и помощ в случай на повреда

Ако уредът изисква ремонт, трябва да се свържете със сервиз. Адресните данни на сервиза, както и телефонният номер за контакт са посочени в гаранционната карта. Преди да се свържете със сервиза, трябва да пригответе серийния номер на уреда, посочен върху информационната табелка. За Ваше удобство можете да го запишете по-долу:

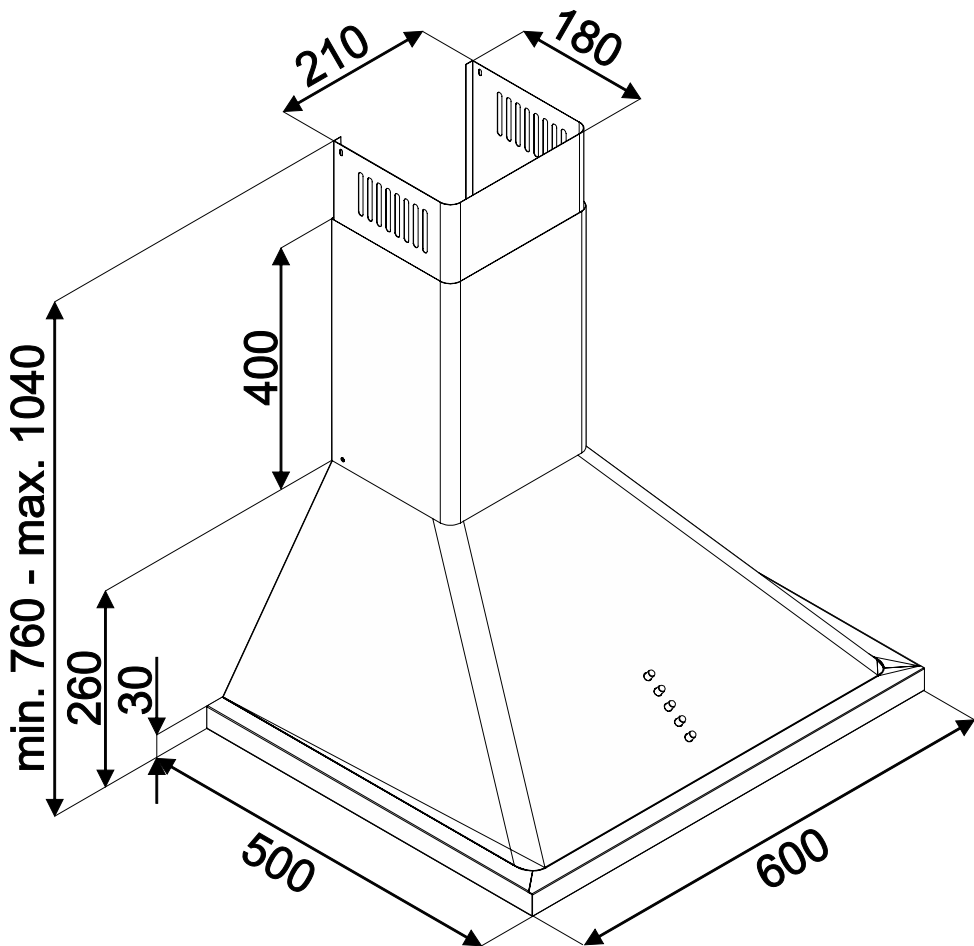
--	--	--	--	--	--	--	--	--	--	--	--	--	--	--	--	--	--	--	--

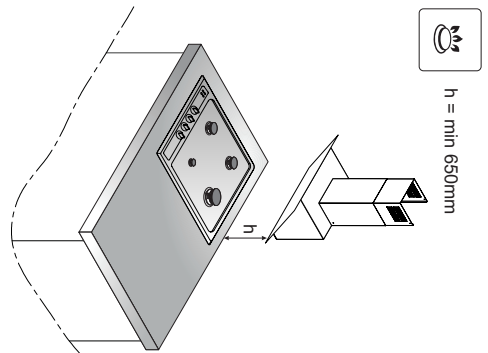
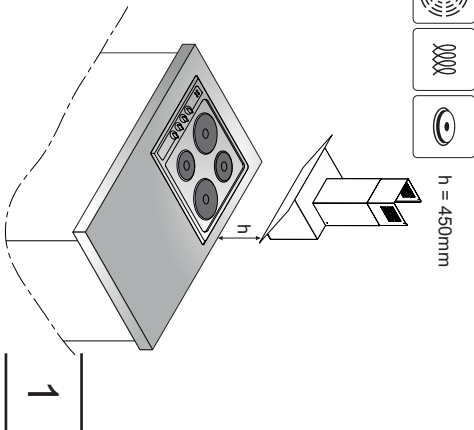
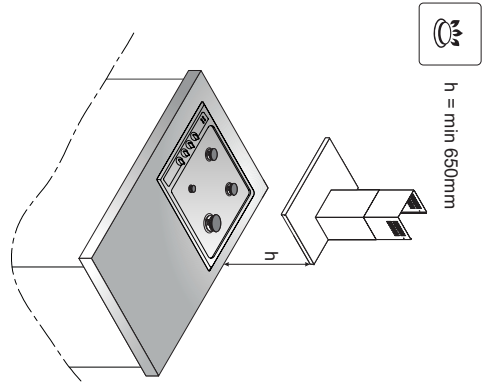
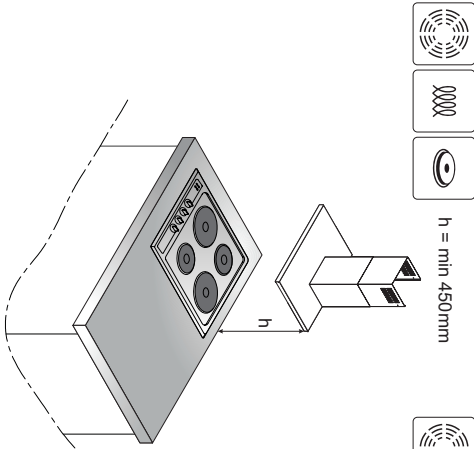
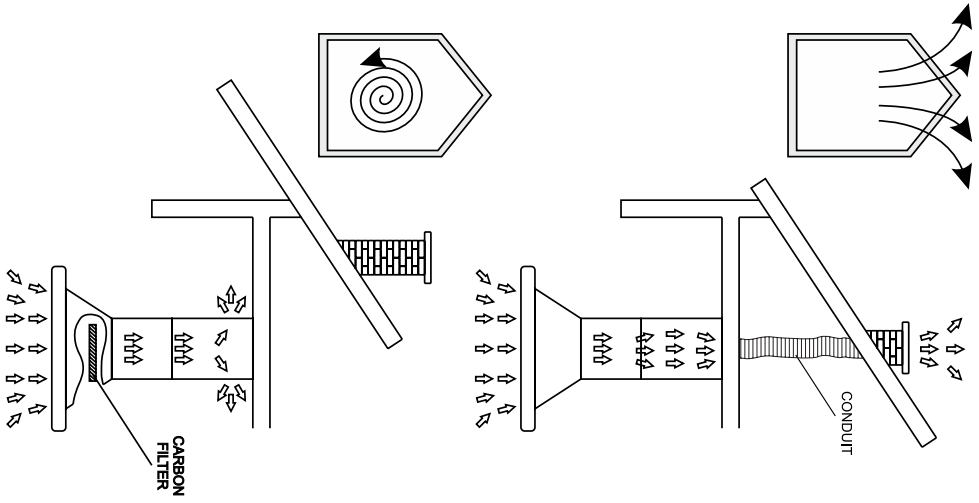
Декларация на производителя

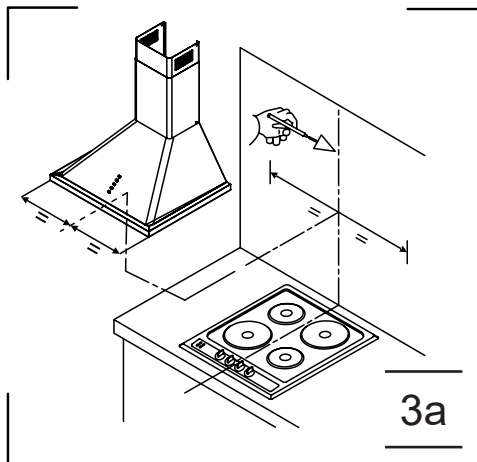
Производителят декларира, че продуктът отговаря на съществените изисквания на европейските директиви, изброени по-долу:

- Директива 2014/35/ЕО за ниско напрежение
- Директива 2014/30/ЕО за електромагнетична компатибилност
- Директива 2009/125/ЕО
- Директива RoHS 2011/65/ЕО

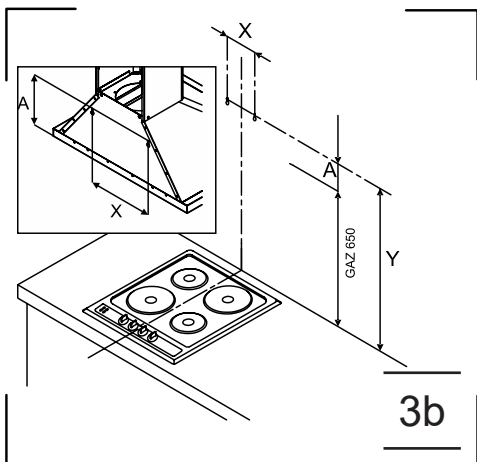
и поради това продуктът е маркиран с **CE** и му е издадена декларация за съответствие на разположение на надзорните органи на пазара.



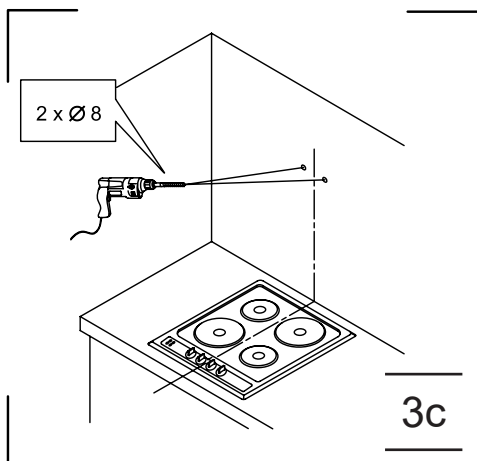




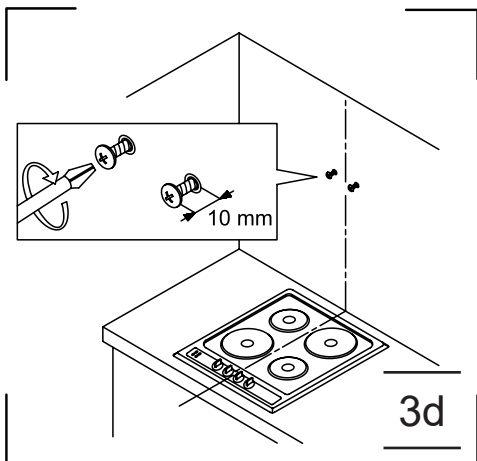
3a



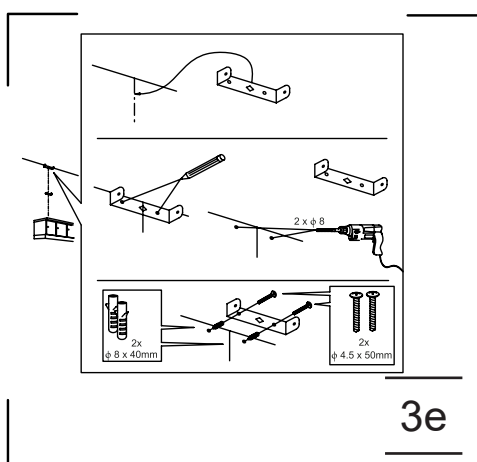
3b



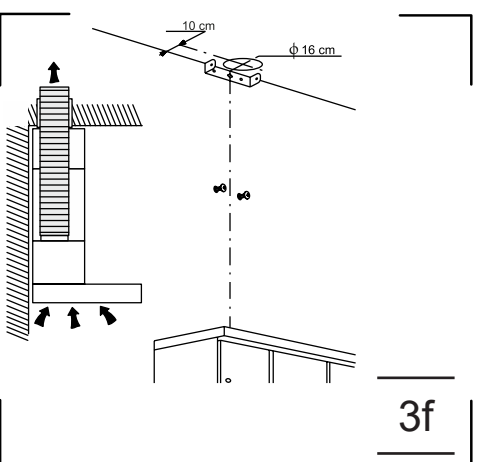
3c



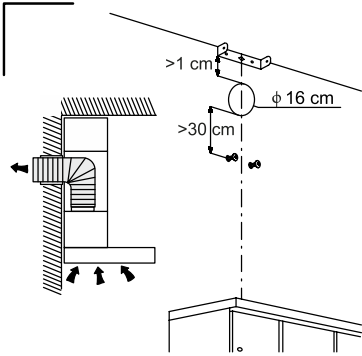
3d



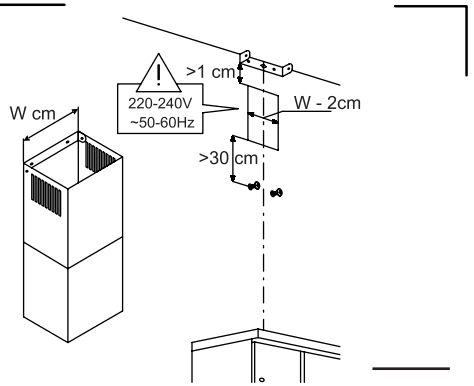
3e



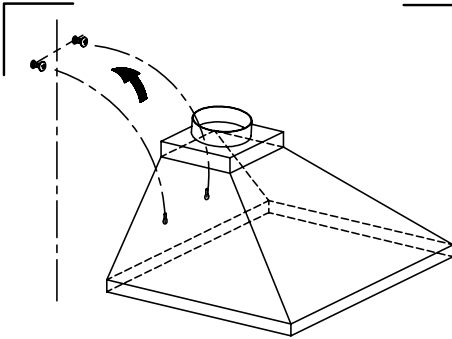
3f



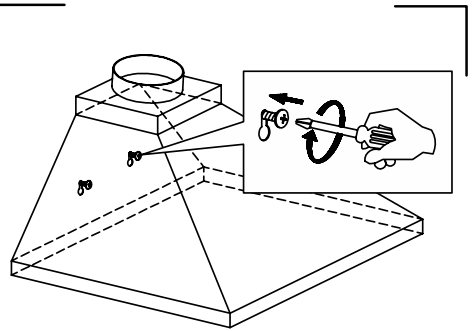
3g



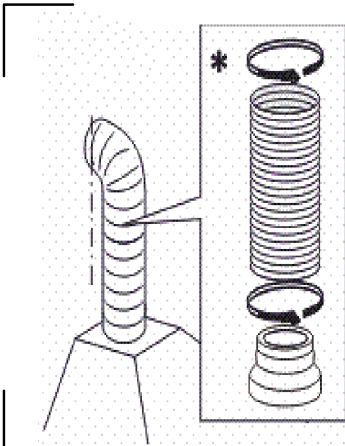
3h



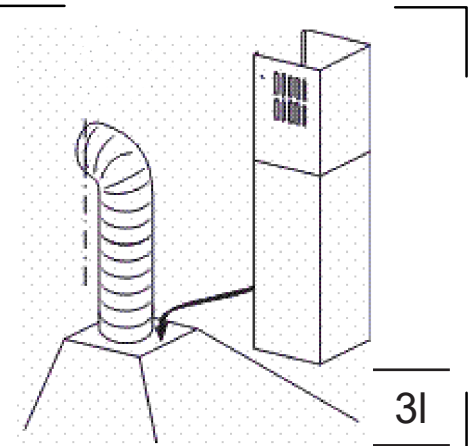
3i



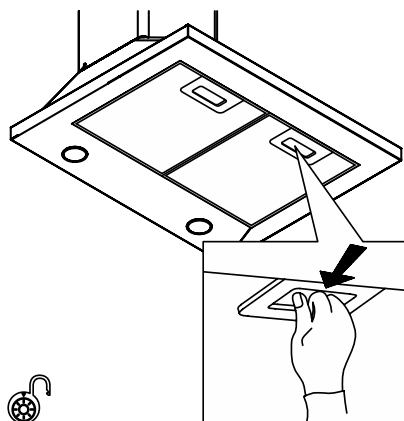
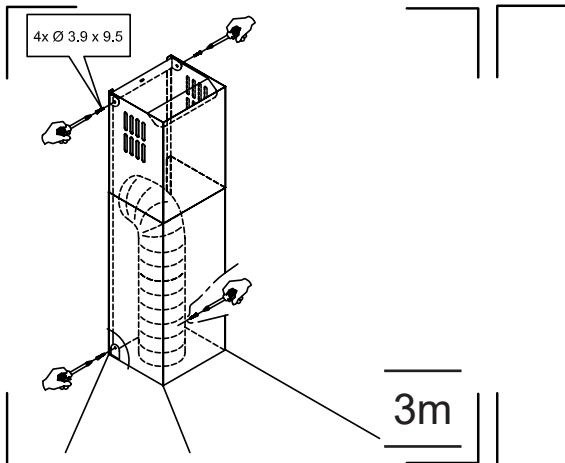
3j



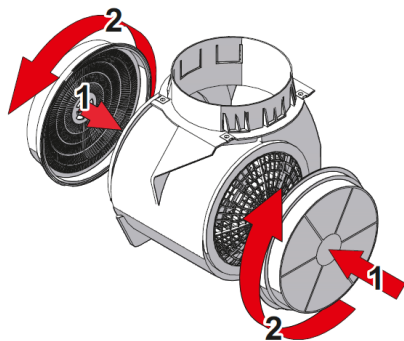
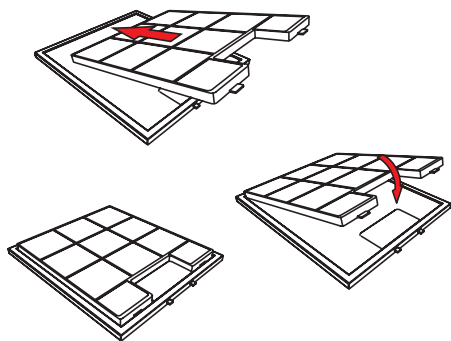
3k



3l



5



6

* According to the model

Amica S.A.
ul . Mickiewicza 52 / 64-510 Wronki
tel. 67 25 46 100 / fax 67 25 40 320
www.amica.pl

Amica International GmbH
Lüdinghauser Str. 52
D-59387 Ascheberg
Tel: 0 25 93 - 95 67-0
www.amica-group.de