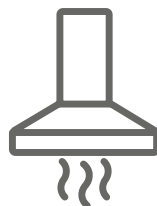


Amica

OPERATING INSTRUCTIONS
INSTRUKCJA OBSŁUGI
NÁVOD K OBSLUZE
NÁVOD NA OBSLUHU
INSTRUCȚIUNE DE DESERVIRE
HASZNÁLATI UTASÍTÁS
ИНСТРУКЦИЯ ЗА ОБСЛУЖВАНЕ
UPUTSTVO ZA UPOTREBU
NOTICE D'UTILISATION
UPUTE ZA UPORABU

EN
PL
CS
SK
RO
HU
BG
SR
FR
HR

**Kitchen extractor hood / okap nadkuchenny /
kuchyňského odsavače / kuchynského odsávača
/ Hotă de bucătărie / tűzhely feletti páraelszívó
/ кухненски аспиратор / Korpus nape / Hotte
aspirante / Kuhinja napa**



**OMP6552BG / OMP9552BG /
OMP6555BG / OMP6554BG /
OMP9554BG / SIO 655***



IO-HOO-0784/12
(02.2022)

EN- Table of contents

NOTES ON SAFETY	8
UNPACKING	11
DISPOSAL OF OLD APPLIANCE	11
OPERATION	12
COOKER HOOD CONTROLS	12
OFF-TIMER	12
GESTURE CONTROL	13
OTHER IMPORTANT INFORMATION CONCERNING THE OPERATION OF THE HOOD	14
CLEANING AND MAINTENANCE	15
MAINTENANCE	15
GREASE FILTER	15
ACTIVATED CHARCOAL FILTER	15
LIGHT	15
WARRANTY AND AFTER SALES SERVICE	16
WARRANTY	16

PL- Spis treści

WSKAZÓWKI DOTYCZĄCE BEZPIECZEŃSTWA	18
ROZPAKOWANIE	22
USUWANIE ZUŻYTYCH URZĄDZEŃ	22
OBSŁUGA	23
STEROWANIE OKAPEM	23
TIMER (OPÓŹNIONE WYŁĄCZENIE OKAPU)	23
STEROWANIE GESTAMI	24
INNE WAŻNE INFORMACJE DOTYCZĄCE OBSŁUGI OKAPU	25
CZYSZCZENIE I KONSERWACJA	26
KONSERWACJA	26
FILTR PRZECIWTŁUSZCZOWY	26
FILTR WĘGLOWY	26
OŚWIETLENIE	26
GWARANCJA, OBSŁUGA POSPRZEDAŻOWA	27
GWARANCJA	27

CS- Obsah

BEZPEČNOSTNÍ POKYNY	29
VYBALENÍ	32
LÍKVIDACE OPOTŘEBOVANÝCH ZAŘÍZENÍ	32
OBSLUHA	33
OVLÁDÁNÍ ODSAVAČE	33
TIMER (OPOŹDĚNÉ VYPNUTÍ ODSAVAČE)	33
OVLÁDÁNÍ GESTY	34
JINÉ DŮLEŽITÉ INFORMACE O OBSLUZE ODSAVAČE	35
ČISTĚNÍ A ÚDRŽBA	36
ÚDRŽBA	36
PROTITUKOVÝ FILTR	36
UHLÍKOVÝ FILTR	36
OSVĚTLENÍ	36
ZÁRUKA, POPRODEJNÍ SERVIS	37
ZÁRUKA	37

SK- Obsah

BEZPEČNOSTNÉ POKYNY POUŽÍVANIA	39
ROZBALENIE	43
LIKVIDÁCIA ZARIADENÍ	43
POUŽÍVANIE	44
OVLÁDANIE ODSÁVAČA	44
ČASOVAČ (ONESKORENÉ VYPNUTIE ODSÁVANIA)	44
OVLÁDANIE GESTAMI	45
INÉ DÔLEŽITÉ INFORMÁCIE TÝKAJÚCE SA POUŽÍVANIA ODSÁVAČA	46
ČISTENIE A UDRŽBA	47
KONZERVÁCIA	47
PROTITUKOVÝ FILTER	47
UHLÍKOVÝ FILTER	47
OSVETLENIE	47
ZÁRUKA, POPREDAJNÝ SERVIS	48
ZÁRUKA	48

RO - Cuprins

INDICAȚII PRIVIND SIGURANȚA	50
DESPAȚHETARE	54
ÎNDEPĂRTAREA DISPOZITIVELOR UZATE	54
OPERARE	55
CONTROL HOTĂ	55
TIMER (ÎNTĂRZIE OPRIREA HOTEI)	55
CONTROUL PRIN GESTURI	56
ALTE INFORMAȚII IMPORTANTE PENTRU OPERAREA HOTEI	57
CURĂȚAREA ȘI ÎNTREȚINEREA	58
ÎNȚEȚINERE	58
FILTRUL ÎMPOTRIVA GRĂSIMILOR	58
FILTRUL DE CARBON	58
SISTEM DE ILUMINARE	58
GARANȚIE, SERVICII POSTVÂNZARE	59
GARANȚIA	59

HU - Tartalomjegyzék

BIZTONSÁGI UTASÍTÁSOK	61
KICSOMAGOLÁS	65
A HASZNÁLT KÉSZÜLÉKEK ELTÁVOLÍTÁSA	65
HASZNALAT	66
PÁRAELSZÍVÓ VEZÉRLÉSE	66
TIMER (A PÁRAELSZÍVÓ KÉSLELTETETT KIKAPCSOLÁSA)	66
GESZTUSVEZÉRLÉS	67
A PÁRAELSZÍVÓ MŰKÖDÉSÉVEL KAPCSOLATOS EGYÉB FONTOS INFORMÁCIÓK	68
TISZTÍTÁS ÉS KARBANTARTÁS	69
KARBANTARTÁS	69
ZSÍRSZŰRŐ	69
SZÉNSZŰRŐ	69
VILÁGÍTÁS	69
GARANCIA	70

BG - Съдържание

ПРЕПОРЪКИ ОТНОСНО БЕЗОПАСНОСТТА	72
РАЗОПАКОВАНЕ	76
ОБЕЗВРЕЖДАНЕ НА ИЗНОСЕНИ УРЕДИ	76
ОБСЛУЖВАНЕ	77
УПРАВЛЕНИЕ НА АБСОРБАТОРА	77
ТАЙМЕР (ИЗКЛЮЧВАНЕ НА АБСОРБАТОРА СЪС ЗАКЪСНЕНИЕ)	78
УПРАВЛЕНИЕ С ЖЕСТОВЕ	78
ДРУГИ ВАЖНИ ИНФОРМАЦИИ ЗА ОБСЛУЖВАНЕТО НА АБСОРБАТОРА	80
ПОЧИСТВАНЕ И ПОДДРЪЖКА	81
ПОДДРЪЖКА	81
ФИЛТЪР ЗА МАЗНИНИ	81
ВЪГЛЕН ФИЛТЪР	81
ОСВЕТЛЕНИЕ	81
ГАРАНЦИЯ, СЛЕД ПРОДАЖБЕНО ОБСЛУЖВАНЕ	82
ГАРАНЦИЯ	82

SR- Sadržaj

BEZBEDNOSNE NAPOMENE	84
UKLANJANJE PAKOVANJA	87
ODLAGANJE ISTROSENIH UREĐAJA	87
UPOTREBA	88
UPRAVLJANJE NAPOM	88
TAJMER (ODGOĐENO ISKLJUČENJE NAPE)	88
UPRAVLJANJE POKRETIMA	89
OSTALE VAŽNE INFORMACIJE O UPOTREBI NAPE	90
ČIŠĆENJE I ODRŽAVANJE	91
ODRŽAVANJE	91
FILTER ZA MASNOĆU	91
UGLJENI FILTER	91
OSVETLJENJE	91
GARANCIJA, USLUGE POSLE PRODAJE	92
GARANCIJA	92

FR- Table des matières

INDICATIONS CONCERNANT LA SÉCURITÉ D'UTILISATION	94
DÉBALLAGE	98
ÉLIMINATION DES APPAREILS USAGÉS	98
UTILISATION	99
COMMANDE DE LA HOTTE	99
MINUTERIE (ARRÊT DIFFÉRÉ DE LA HOTTE)	100
COMMANDE PAR LES GESTES	100
AUTRES INFORMATIONS IMPORTANTES RELATIVES À L'UTILISATION DE LA HOTTE	102
NETTOYAGE ET ENTRETIEN	103
ENTRETIEN	103
FILTRE À GRAISSE	103
FILTRE À CHARBON	103
ÉCLAIRAGE	103
GARANTIE, SERVICE APRÈS-VENTE	104
GARANTIE	104

HR- Kazalo

SIGURNOSNE NAPOMENE	106
UKLANJANJE PAKIRANJA	109
ZBRINJAVANJE POTROŠENIH UREĐAJA	109
UPORABA	110
UPRAVLJANJE NAPOM	110
TIMER (ODGODA ISKLJUČENJA NAPE)	110
UPRAVLJANJE POKRETIMA	111
OSTALE VAŽNE INFORMACIJE O UPORABI NAPE	112
ČIŠĆENJE I ODRŽAVANJE	113
ODRŽAVANJE	113
FILTER PROTIV MASNOĆE	113
UGLJENI FILTER	113
RASVJETA	113
JAMSTVO, POSLIJEPRODAJNE AKTIVNOSTI	114
JAMSTVO	114

Dear customer,

From now on, your daily housework will be easier than ever before. Your appliance **Amica** is exceptionally easy to use and extremely efficient. After reading these Operating Instructions, operating the appliance will be easy.

Before being packaged and leaving the manufacturer, the appliance was thoroughly checked with regard to safety and functionality.

Before using the appliance, please carefully read these Operating Instructions. By following these instructions carefully you will be able to avoid any problems in using the appliance. It is important to keep these Operating Instructions and store them in a safe place so that they can be consulted at any time.

Follow these instructions carefully in order to avoid possible accidents.

Sincerely,

Amica

NOTES ON SAFETY

- Before using the appliance, please carefully read this manual!
- The appliance is designed for household use only.
- The manufacturer reserves the right to introduce changes, which do not affect operation of the appliance.
- The manufacturer shall not be liable for any damage or fire caused by the appliance resulting from failure to follow instructions in this manual.
- Cooker hood is designed to remove cooking odours. Do not use cooker hood for other purposes.
- Connect the cooker hood operating in extraction mode to a suitable ventilation duct (do NOT connect the cooker to smoke or flue gas ducts, which are in use). It requires installation of the air extraction duct to the outside. The length of the duct (usually a pipe of Ø 120 or 150 mm) should not be longer than 4-5 m. An air extraction duct is also required for telescopic and furniture hoods in absorption mode.
- Cooker hood operating in air recirculation mode requires the installation of an activated charcoal filter. In this case, installing an extractor duct is not required, however it is recommended to install an air guide vane (Mainly in chimney cooker hoods).
- The cooker hood features independent lighting and exhaust fan that can be operated at one of several speeds.
- Depending on the type, the hood is designed to be permanently attached to a vertical wall over a gas or electric stove (chimney and universal hoods); on the ceiling over a gas or electric stove (island hoods); on the vertical built in furniture over a gas or electric stove (telescopic and built-in hoods). Before installing, make sure that the

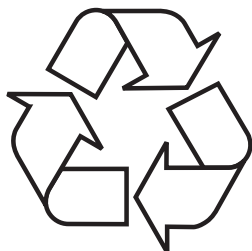
wall/ceiling structure is strong enough to suspend the hood. Some hoods are very heavy.

- For details of the installation distance above an electric hob please refer to product technical sheet. If the installation instructions of the gas cooker specify a greater distance, this must be taken into account (Fig. 1).
- Do not leave an open flame under the hood. When the pots are removed from the burner, set the minimum flame. Always make sure that the flame does not extend outside the pot, because it causes unwanted loss of energy and a dangerous concentration of heat.
- When cooking on fat, supervise the pans constantly, because overheated fat can ignite.
- Unplug the appliance before any cleaning, replacing the filter or repair work.
- Cooker hood grease filter should be cleaned at least once a month, because the filter saturated with fat is flammable.
- Ensure adequate ventilation (air flow) if other equipment such as liquid fuel stoves or heaters are operated in the room in addition to the cooker hood. When the cooker hood is simultaneously operated with burning appliances requiring adequate fresh air from the room to work properly, their safe operation is possible if under pressure around these appliances is a maximum of 0.004 mbar (this does not apply when the cooker hood is used as an odour filter)
- Do not lean on the hood.
- The hood should be cleaned regularly both inside and out (AT LEAST ONCE A MONTH, following the indications concerning maintenance provided in this manual).. Failure to adhere to the rules concerning cleaning the hood and replacing filters results in a fire risk.
- If the power cord is damaged it should be replaced by a specialised service centre.
- Ensure that it is possible to disconnect the ap-

pliance from the mains by removing the plug or switching off the bi-polar switch.

- This appliance is not intended for use by persons (including children) with physical, mental or sensory handicaps, or by persons inexperienced or unfamiliar with the appliance, unless under supervision or in accordance with the instructions as communicated to them by persons responsible for their safety.
- Particular attention should be paid not to allow unaccompanied children to use the appliance.
- Make sure voltage indicated on the nameplate corresponds to the local mains supply voltage.
- Before use, extend and straighten the power cord.
- Packaging materials (bags, polyethylene, polystyrene, etc.) should be kept away from children during unpacking.
- Before connecting the hood to the mains power supply always check that the power cord is properly installed and is not trapped by the appliance. Do not connect the appliance to the mains until assembly is complete.
- Do not operate your kitchen hood without the aluminium grease filters.
- It is strictly forbidden to cook dishes under on an open flame (flambé) under your kitchen hood.
- Always strictly adhere to regulations issued by the competent local authorities regarding the technical and safety requirements for fume extraction.
- Failing to tighten bolts and fasteners in accordance with these instructions may endanger life and health.
- Hanging kitchen hoods operate only in air circulation / odour absorber mode
- **WARNING!** Failure to install the screws or fixing device in accordance with these instructions may result in electrical hazards.

UNPACKING



During transportation, protective packaging was used to protect the appliance against any damage. After unpacking, please dispose of all elements of packaging in a way that will not cause damage to the environment.

All materials used for packaging the appliance are environmentally friendly; they are 100% recyclable and are marked with the appropriate symbol.

Important! Packaging materials (bags, polyethylene, polystyrene, etc.) should be kept away from children during unpacking.

DISPOSAL OF OLD APPLIANCE



In accordance with European Directive 2012/19/EU and local legislation regarding used electrical and electronic goods, this appliance is marked with the symbol of the crossed-out waste container. This marking indicates that the appliance must not be disposed of together with other household waste

after it has been used.

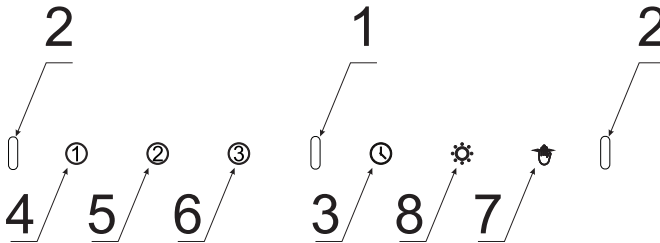
The user is obliged to hand it over to waste collection centre collecting used electrical and electronic goods. The collectors, including local collection points, shops and local authority departments provide recycling schemes.

Proper handling of used electrical and electronic goods helps avoid environmental and health hazards resulting from the presence of dangerous components and the inappropriate storage and processing of such goods.

OPERATION

Cooker hood controls

Control Panel is shown in Figure 4, for reference it is also shown below:



This appliance features gesture control:

- 1- Light on/off gesture control sensor
- 2- Fan speed gesture control sensors

The control panel is equipped with touch controls: Control functions are described below:

- 3- Off-Timer sensor
- 4- Low speed- Use this speed when cooking a little food with hardly any fumes.
- 5- Medium speed- Use this speed when cooking multiple dishes at the same time with moderate amount of fumes.
- 6- High speed- Use this speed when frying or grilling, with large amount of fumes.
- 7- Gesture control on/off
- 8- Light control sensor

When you plug in the appliance to power, it will emit a short beep and all sensors will light for a brief moment.

Touch sensor 1, 2 or 3 to start the fan. Touch the sensor corresponding to current fan speed to turn off the fan.

Touch ⚙️ to turn the lighting on. Touch ⚙️ again to turn the lighting off. The lighting operates independently of fan.

Off-Timer

Use Off-Timer to turn off the hood after a specified time. Use Off-Timer to filter the fumes out of the air after cooking. The fan will turn off after 15 minutes. Touch ⌚ to activate the Off-Timer at any time. Sensor flashes. Touch ⌚ to deactivate the Off-Timer at any time and ⌚ will stop flashing.

Gesture control

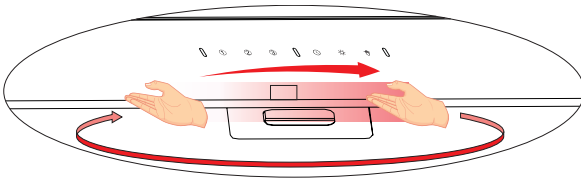
Touch  to turn gesture control on/off.

You can use gestures to control the fan speed and lighting. When gesture control is active, you can also control the appliance using the touch sensors.

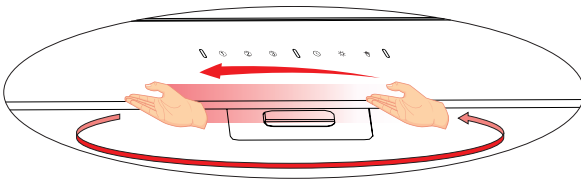
Gesture control works correctly when you move your open hand about 3 to 10 cm from the surface of the control panel.

Note: When controlling the fan speed, the hand motion must cover both motion sensors (Figure 4, item 2, or the hand must be stationary within the light control sensor (Figure 4, item 1).

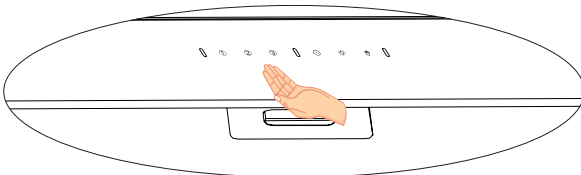
If activating a certain function (such as fan speed 3) requires multiple hand gestures, reposition your hand for another gesture away from the control panel to avoid triggering the motion sensors). Hand movements must not be too fast. Preferably, a single gesture should take about 1 second.




To turn on the fan or increase fan speed, move your hand from left to right several times. With hand movement, current fan speed sensor will light up.



To turn off the fan or reduce fan speed, move your hand from right to left several times until sensor 1 lights up. Move your hand one more time and the fan will turn off (gesture control will still be active)



To turn the lighting on or off, position your hand near the centre of the control panel (under the sensor labelled 1) for about 2 seconds. The  symbol will light up.

Other important information concerning the operation of the hood

Operation in air circulation / odour filter mode. In this mode, the filtered air returns to the room through the outlets. Install activated charcoal filter in this setting. It is recommended to install the air guide (available depending on the model, mainly in chimney cooker hoods).

Air extraction operation: When cooker hood operates in extraction mode, air is discharged outside through an extraction duct. Remove activated charcoal filter in this setting. The cooker hood is connected to the air outlet opening using a rigid or flexible extraction duct with a diameter of 150 or 120 mm, and the appropriate clamps, which must be purchased at a hardware store. The appliance should be installed by a qualified installer.

Fan speed: Lowest and medium fan speed is used in normal conditions and less intense odours, while the highest speed is used only when cooking odours are very intense, such as during frying or grilling.

Note (applies to universal hoods only): Due to the design of universal hoods you need to manually change the mode of operation. See Figure 8 for instructions on how to change the mode.

Note (only applies to telescopic and in-built kitchen hoods): Furniture and telescopic cooker hoods operating in air recirculation mode require installation of the exhaust duct. The other end of the duct should be directed to the room as it will discharge filtered air.

Note: Hanging kitchen hoods operate only in air circulation / odour absorber mode

CLEANING AND MAINTENANCE

Maintenance

Regular maintenance and cleaning of the appliance will ensure trouble-free operation of the cooker hood and extend its life. Especially make sure that the grease filter and activated charcoal filter are replaced according to manufacturer's recommendations.

- Do not use a soaked cloth, sponge, or water jet.
- Do not use solvents or alcohol, as they may tarnish lacquered surfaces.
- Do not use caustic substances, especially for cleaning stainless steel.
- Do not use a rough or abrasive cloth.
- It is recommend to use a damp cloth and a neutral detergent.

Note: After several washes in the dishwasher, the colour of the aluminium filter may change. The change of colour does not indicate improprieties or the necessity to change it.

Grease filter

For normal hood operation, grease filter should be cleaned every month in the dishwasher or by hand using a mild detergent or liquid soap.

Dismantling of grease filter is shown on Figure 5.

Acrylic filter is used in some models. This filter should be replaced at least once every 2 months or more frequently if the appliance is used intensively.

Activated charcoal filter

Charcoal filter is used only when the cooker hood is not connected to the ventilation duct. Activated charcoal filter can absorb odours until saturated. Charcoal filter is not suitable for washing or regeneration and should be replaced at least once every 3-4 months or more frequently if the appliance is used intensively.

Dismantling of charcoal filter is shown on Figure 6.

Light

Use incandescent / halogen / LED modules of the same specification as those factory-installed in the appliance. See Figure 7 for details how to replace lights. If there is no such figure in this manual, please contact authorised service to replace the lighting module.

WARRANTY AND AFTER SALES SERVICE

Warranty

Warranty service as stated on the warranty card. The manufacturer shall not be held liable for any damage caused by improper use of the product.

Service

- The manufacturer recommends that all repairs and adjustments be carried out by the Factory Service Technician or the Manufacturer's Authorized Service Point. For safety reasons, repairs should be referred to professionals.
- Repairs carried out by unqualified persons may seriously endanger the appliance user.
- The minimum warranty period for the appliance offered by the manufacturer, importer or authorized representative is given in the warranty card.
- The warranty shall be void if you make any independent adaptations or alterations, tamper with seals or other appliance safety devices or its parts or interfere with the appliance contrary to operating instructions.

In the event of appliance malfunction, request assistance or repair.

If your appliance needs repair, please contact the service centre. Please see warranty card for address and contact details of our service centre. Before contacting us, please have ready the appliance serial number, which can be found on the identification sticker: For your convenience, please write it down below:

--	--	--	--	--	--	--	--	--	--	--	--	--	--	--	--	--	--	--	--

Manufacturer's Declaration

The manufacturer hereby declares that this product meets the requirements of the following European directives:

- **Low Voltage Directive 2014/35/EC**
- **Electromagnetic Compatibility (EMC) Directive 2014/30/EC**
- **ErP Directive 2009/125/EC**
- **Directive RoHS 2011/65/EC**

and has thus been marked with the  symbol and been issued with a declaration of compliance made available to market regulators.

Szanowny Kliencie

Od dziś codzienne obowiązki staną się prostsze niż kiedykolwiek. Urządzenie **Amica** to połączenie wyjątkowej łatwości obsługi i doskonałej efektywności. Po przeczytaniu instrukcji, obsługa nie będzie problemem.

Sprzęt, który opuścił fabrykę był dokładnie sprawdzony przed zapakowaniem pod względem bezpieczeństwa i funkcjonalności na stanowiskach kontrolnych.

Prosimy Państwa o uważną lekturę instrukcji obsługi przed uruchomieniem urządzenia. Przestrzeganie zawartych w niej wskazówek uchroni Państwa przed niewłaściwym użytkowaniem. Instrukcję należy zachować i przechowywać tak, aby mieć ją zawsze pod ręką.

Należy dokładnie przestrzegać instrukcji obsługi w celu uniknięcia nieszczęśliwych wypadków.

Z poważaniem

Amica

WSKAZÓWKI DOTYCZĄCE BEZPIECZEŃSTWA

- Okap należy używać dopiero po przeczytaniu tej instrukcji
- Urządzenie przeznaczone jest wyłącznie do użytku domowego.
- Producent zastrzega sobie możliwość dokonywania zmian niewpływających na działanie urządzenia.
- Producent nie ponosi żadnej odpowiedzialności za ewentualne szkody lub pożary spowodowane przez urządzenie wynikające z nieprzestrzegania zaleceń podanych w niniejszej instrukcji.
- Okap nadkuchenny służy do usuwania oparów kuchennych. Nie należy go używać do innych celów.
- Okap pracujący w trybie wyciągu należy podłączyć do odpowiedniego kanału wentylacyjnego (nie podłączać do kanałów kominowych, dymowych lub spalinowych, będących w eksploatacji). Okap wymaga zainstalowania przewodu odprowadzającego powietrze na zewnątrz. Długość przewodu (najczęściej rura \varnothing 120 mm lub 150 mm) nie powinna być dłuższa niż 4-5 m. Przewód odprowadzający powietrze jest również wymagany przy okapach teleskopowych i meblowych w trybie pochłaniacza.
- Okap pracujący w trybie pochłaniacza wymaga zainstalowania filtra z węglem aktywnym. W tym przypadku nie wymaga się instalowania przewodu odprowadzającego powietrze na zewnątrz, zaleca się natomiast montaż kierownicy wydmuchu powietrza (występuje głównie w okapach kominowych).
- Okap posiada niezależne oświetlenie oraz wenty-

lator wyciągowy z możliwością ustawienia jednej z kilku prędkości obrotowych.

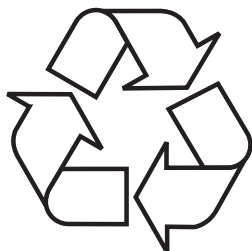
- W zależności od wersji urządzenia, okap jest przeznaczony do trwałego zamocowania na pionowej ścianie ponad kuchenką gazową lub elektryczną (okapy kominowe i uniwersalne); na suficie ponad kuchenką gazową lub elektryczną (okapy wyspowe); na pionowej ścianie w zabudowie meblowej ponad kuchenką gazową lub elektryczną (okapy teleskopowe i do zabudowy). Przed montażem należy się upewnić czy konstrukcja ściany / sufitu jest odpowiednia do utrzymania okapu. Niektóre modele okapów są bardzo ciężkie.
- Wysokość montażu urządzenia nad płytą elektryczną podana jest w karcie produktu (specyfikacji technicznej urządzenia). Jeżeli w instrukcjach instalowania urządzeń gazowych podano większą odległość, należy to uwzględnić (Rys. 1).
- Pod okapem kuchennym nie wolno pozostawiać odkrytego płomienia, podczas zdejmowania naczyń znad palnika, należy ustawić minimalny płomień. Zawsze należy sprawdzać czy płomień nie wykracza poza naczynie, gdyż powoduje to niepożądane straty energii i niebezpieczną koncentrację ciepła.
- Potrawy przygotowywane na tłuszczach powinny być stale nadzorowane, gdyż przegrzany tłuszcz może się łatwo zapalić.
- Przed każdą operacją czyszczenia, wymianą filtra lub przed podjęciem prac naprawczych, należy wyjąć wtyczkę urządzenia z gniazdka.
- Filtr przeciw tłuszczowy do okapu kuchennego należy czyścić, co najmniej, raz na 1 miesiąc, gdyż nasycony tłuszczem jest łatwopalny.
- Jeżeli w pomieszczeniu, oprócz okapu, eksploatuje się inne urządzenia o zasilaniu nieelektrycznym (np. piece na paliwa ciekłe, grzejniki przepływowe, termy), należy zadbać o wystarczającą

wentylację (dopływ powietrza). Bezpieczna eksploatacja jest możliwa, gdy przy jednoczesnej pracy okapu i urządzeń spalających, zależnych od powietrza w pomieszczeniu, w miejscu ustawienia tych urządzeń panuje podciśnienie najwyżej 0,004 milibara (ten punkt nie obowiązuje, gdy okap nadkuchenny jest użytkowany jako pochłaniacz zapachów).

- Okap nie powinien służyć jako płaszczyzna podparcia dla osób znajdujących się w kuchni.
- Okap powinien być często czyszczony zarówno na zewnątrz jak i od wewnątrz (PRZYNAJMNIEJ RAZ W MIESIĄCU, z zachowaniem wskazówek dotyczących konserwacji podanych w niniejszej instrukcji). Nieprzestrzeganie zasad dotyczących czyszczenia okapu oraz wymiany filtrów powoduje powstanie zagrożenia pożarem.
- Jeżeli przewód zasilający ulegnie uszkodzeniu, to powinien być wymieniony w specjalistycznym zakładzie naprawczym.
- Należy zapewnić możliwość odłączenia urządzenia od sieci elektrycznej, poprzez wyjęcie wtyczki lub wyłączenie wyłącznika dwubiegunowego.
- Niniejszy sprzęt nie jest przeznaczony do użytkowania przez osoby (w tym dzieci) o ograniczonej zdolności fizycznej, czuciowej lub psychicznej, lub osoby o braku doświadczenia lub znajomości sprzętu, chyba że odbywa się to pod nadzorem lub zgodnie z instrukcją użytkowania sprzętu, przekazaną przez osoby odpowiadające za ich bezpieczeństwo.
- Należy zwrócić szczególną uwagę, aby z urządzenia nie korzystały pozostawione bez opieki dzieci.
- Sprawdzić, czy napięcie podane na tabliczce znamionowej odpowiada miejscowym parametrom zasilania.
- Przed montażem rozwinąć i wyprostować przewód sieciowy.

- Materiały opakowaniowe (woreczki polietylenowe, kawałki styropianu itp.) należy w trakcie rozpakowywania trzymać z dala od dzieci.
- Przed podłączeniem okapu do zasilania sieciowego należy zawsze skontrolować czy kabel zasilania został prawidłowo zainstalowany i NIE został przygnieciony przez okap w trakcie czynności montażowych. Nie podłączać urządzenia do sieci elektrycznej przed ukończeniem montażu.
- Zabrania się użytkować okap bez zamontowanych aluminiowych filtrów przeciwtłuszczowych.
- Surowo zabrania się przygotowywania pod okapem potraw z użyciem otwartego ognia (flambrowanie).
- W zakresie koniecznych do zastosowania środków technicznych i bezpieczeństwa dotyczących odprowadzania spalin należy ściśle przestrzegać przepisów wydanych przez kompetentne władze lokalne.
- Niedokręcenie śrub oraz elementów mocujących zgodnie z niniejszymi instrukcjami może spowodować zagrożenia zdrowia i życia.
- Okapy wiszące działają tylko w trybie pochłaniania zapachów
- UWAGA! Instalacja śrub i elementów mocujących niezgodnie z instrukcją może spowodować zagrożenia elektryczne.
- Montaż okapu wykonany w sposób niezgodny z rysunkami i zaleceniami niniejszej instrukcji będzie miał wpływ na jakość pracy urządzenia, może być również podstawą do nieuznania reklamacji.

ROZPAKOWANIE



Urządzenie na czas transportu zostało zabezpieczone przed uszkodzeniem. Po rozpakowaniu urządzenia prosimy Państwa o usunięcie elementów opakowania w sposób niezagrażający środowisku.

Wszystkie materiały zastosowane do opakowania są nieszkodliwe dla środowiska naturalnego, w 100% nadają się do odzysku i oznakowano je odpowiednim symbolem.

Uwaga! Materiały opakowaniowe (woreczki polietylenowe, kawałki styropianu itp.) należy w trakcie rozpakowywania trzymać z dala od dzieci.

USUWANIE ZUŻYTYCH URZĄDZEŃ



To urządzenie jest oznaczone zgodnie z Dyrektywą Europejską 2012/19/UE oraz polską Ustawą o zużyтым sprzęcie elektrycznym i elektronicznym symbolem przekreślonego kontenera na odpady. Takie oznakowanie informuje, że sprzęt ten, po okresie jego użytkowania, nie może być umieszczany łącznie z innymi odpadami pochodzącymi z gospodarstwa domowego.

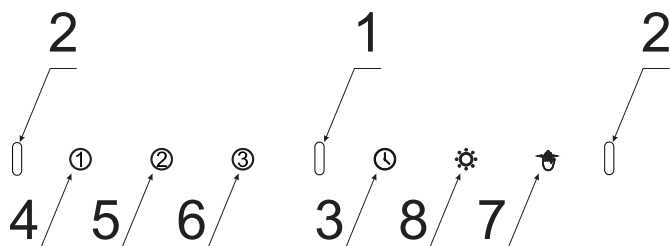
Użytkownik jest zobowiązany do oddania go prowadzącym zbieranie zużytego sprzętu elektrycznego i elektronicznego. Prowadzący zbieranie, w tym lokalne punkty zbiórki, sklepy oraz gminne jednostki, tworzą odpowiedni system umożliwiający oddanie tego sprzętu.

Właściwe postępowanie ze zużyтым sprzętem elektrycznym i elektronicznym przyczynia się do uniknięcia szkodliwych dla zdrowia ludzi i środowiska naturalnego konsekwencji, wynikających z obecności składników niebezpiecznych oraz niewłaściwego składowania i przetwarzania takiego sprzętu.

OBSŁUGA

Sterowanie okapem

Panel sterowania okapu jest przedstawiony na rysunku 4, dla przypomnienia znajduje się on również poniżej:



Urządzenie jest wyposażone w czujniki sterowania gestami:

- 1- Czujnik ruchu odpowiedzialny za włączenie / wyłączenie oświetlenia
- 2- Czujniki ruchu odpowiedzialne za zmianę biegu urządzenia

Panel sterowania wyposażony jest w sensory. Ich funkcje opisane są poniżej:

- 3- Sensor Timer (opóźnione wyłączenie okapu)
- 4- Bieg najniższy- Stosuj ten bieg przy niezbyt dużej ilości oparów.
- 5- Bieg średni- Stosuj ten bieg przy średniej ilości oparów, przykładowo podczas gotowania wielu potraw jednocześnie.
- 6- Bieg najwyższy- Stosuj ten bieg przy największej ilości oparów, przykładowo podczas smażenia czy grilowania.
- 7- Sensor aktywacji i dezaktywacji sterowania gestami
- 8- Sensor sterowania oświetleniem

Po podłączeniu urządzenia do zasilania, okap wyda krótki sygnał dźwiękowy, oraz zapalą się na chwilę wszystkie sensory.

Aby włączyć turbinę urządzenia, dotknij sensor 1,2 lub 3. Wyłączenie turbiny następuje po dotknięciu sensora aktywnego biegu.

Aby włączyć oświetlenie, dotknij sensor . Aby wyłączyć oświetlenie, dotknij sensor kolejny raz. Oświetlenie działa niezależnie od silnika.

Timer (opóźnione wyłączenie okapu)

Funkcja ta służy do opóźnionego wyłączenia silnika okapu. Użyj tej funkcji po zakończonym gotowaniu, by oczyścić powietrze z oparów w pomieszczeniu. Wyłączenie silnika nastąpi po 15 minutach. Aby włączyć funkcję opóźnienia, podczas pracy okapu na dowolnym biegu dotknij sensor jednokrotnie. Sensor zacznie migać, Aby wyłączyć funkcję opóźnienia, w dowolnym momencie dotknij sensor powtórnie, wówczas przestanie migać sensor .

Sterowanie gestami

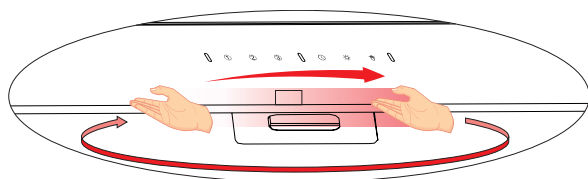
Aby włączyć / wyłączyć funkcję sterowania gestami, dotknij sensor , symbol podświetli się.

Używając gestów możesz sterować prędkością turbiny okapu oraz oświetleniem. Kiedy aktywna jest funkcja sterowania gestami, możesz również sterować urządzeniem w sposób tradycyjny, poprzez użycie odpowiednich sensorów.

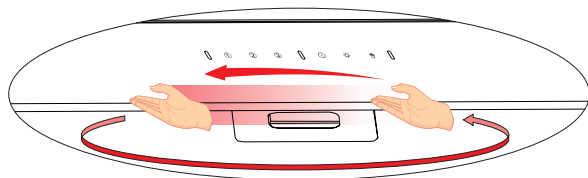
Sterowanie gestami działa poprawnie, gdy wykonujesz ruchy dłonią w odległości około 3-10 cm od powierzchni panelu sterowania.

Uwaga: Podczas sterowania prędkością turbiny, ruch dłonią musi obejmować oba czujniki ruchu (Rysunek 4, poz. 2, lub ręka musi być nieruchomo w obrębie czujnika sterowania światłem (Rysunek 4, poz. 1).

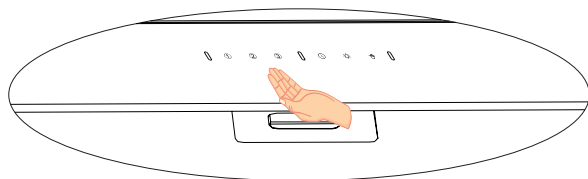
Gdy włączenie określonej funkcji (przykładowo biegu 3) wymaga wielokrotnego przesunięcia dłonią, ruch powrotny wykonuj w dalszej odległości od panelu sterowania lub z ominięciem czujników). Ruchy dłonią nie mogą być zbyt szybkie. Najlepiej, gdy pojedynczy gest trwa około 1 sekundy.




Aby włączyć turbinę urządzenia lub zwiększyć jej bieg, przesunij dłonią od lewej do prawej kilka-krotnie. Z każdym ruchem dłoni podświetli się sensor aktywnego biegu.



Aby wyłączyć turbinę urządzenia lub zmniejszyć jej bieg, przesuwaj dłonią od prawej do lewej kilka-krotnie, aż podświetli się sensor 1. Przesuń dłonią jeszcze jeden raz, silnik okapu wyłączy się całkowicie (funkcja sterowania gestami będzie nadal aktywna)



Aby włączyć lub wyłączyć oświetlenie, ustaw dłoń na około 2 sekundy w okolicach środka panelu (pod czujnikiem oznaczonym jako 1). Symbol  podświetli się.

Inne ważne informacje dotyczące obsługi okapu

Praca jako pochłaniacz: W tej opcji pracy przefiltrowane powietrze wraca z powrotem do pomieszczenia poprzez otwory do tego przystosowane. Przy tym ustawieniu należy zamontować filtr węglowy oraz zaleca się zamontować kierownicę wydmuchu powietrza (dostępność w zależności od modelu, występuje głównie w okapach kominowych).

Praca jako wyciąg: W trakcie wyciągowego trybu pracy okapu powietrze odprowadzane jest na zewnątrz specjalnym przewodem. Przy tym ustawieniu należy usunąć ewentualny filtr węglowy. Okap jest podłączony do otworu odprowadzającego powietrze na zewnątrz za pomocą sztywnego lub elastycznego przewodu o średnicy 150 mm lub 120 mm i odpowiednich zacisków do przewodów, które należy nabyć w placówkach z materiałami instalacyjnymi. Podłączenie należy zlecić wykwalifikowanemu instalatorowi.

Prędkość wentylatora: Prędkości najniższą i średnią stosuje się przy normalnych warunkach oraz małym natężeniu oparów, natomiast prędkość najwyższą stosować tylko przy dużym stężeniu oparów kuchennych, np. podczas smażenia, czy grillowania.

Uwaga (dotyczy tylko okapów uniwersalnych): Konstrukcja okapów uniwersalnych wymaga ręcznej zmiany trybu pracy okapu. Sposób zmiany tego trybu zobrazowany jest na rysunku 8.

Uwaga (dotyczy tylko okapów meblowych i teleskopowych): Okapy meblowe i teleskopowe pracujące w trybie pochłaniacza wymagają montażu rury odprowadzającej powietrze. Drugi koniec rury należy skierować na pomieszczenie, przez nią będzie odprowadzane przefiltrowane powietrze.

Uwaga: Okapy wiszące pracują tylko w trybie pochłaniacza.

CZYSZCZENIE I KONSERWACJA

Konserwacja

Regularna konserwacja i czyszczenie urządzenia zapewni dobrą i bezawaryjną pracę okapu oraz przedłuży jego żywotność. Należy zwracać szczególną uwagę, aby filtr przeciwłuszczowy i filtr z węglem aktywnym były czyszczone i wymieniane zgodnie z zaleceniami producenta.

- Nie używać namoczonych szmatek lub gąbek ani strumienia wody.
- Nie stosować rozpuszczalników ani alkoholu, ponieważ mogą one zmatowić lakierowane powierzchnie.
- Nie stosować substancji żrących, zwłaszcza do czyszczenia powierzchni wykonanych ze stali nierdzewnej.
- Nie używać twardej, szorstkiej szmatki
- Zaleca się stosowanie wilgotnej szmatki oraz obojętnych środków myjących.

Uwaga: Po kilku myciach w zmywarce, kolor filtra aluminiowego może ulec zmianie. Zmiana koloru nie oznacza nieprawidłowości oraz konieczności jego wymiany.

Filtr przeciwłuszczowy

Filtr przeciwłuszczowy powinien być czyszczony co jeden miesiąc podczas normalnej pracy okapu, w zmywarce lub ręcznie przy użyciu delikatnego detergentu lub mydła w płynie.

Demontaż filtra przeciwłuszczowego pokazany jest na rysunku 5.

W niektórych modelach zastosowany jest filtr akrylowy. Należy go wymieniać co najmniej raz na 2 miesiące lub częściej w wypadku wyjątkowo intensywnego użycia.

Filtr węglowy

Filtr węglowy stosuje się wyłącznie wtedy, kiedy okap nie jest podłączony do przewodu wentylacyjnego. Filtr z węglem aktywnym posiada zdolność pochłaniania zapachów aż do swego nasycenia. Nie nadaje się także do mycia ani do regeneracji i powinien być wymieniany, co najmniej raz na 3-4 miesiące lub częściej w wypadku wyjątkowo intensywnego użycia.

Demontaż filtra węglowego pokazany jest na rysunku 6.

Oświetlenie

Należy stosować żarówki / halogeny / moduły diodowe o takich samych parametrach jak fabrycznie zamontowane w urządzeniu. Wymiana oświetlenia jest pokazana na rysunku 7. Jeżeli rysunek nie występuje w niniejszej instrukcji, wymiany modułu oświetlenia może dokonać jedynie autoryzowany serwis.

GWARANCJA, OBSŁUGA POSPRZEDAŻOWA

Gwarancja

Świadczenia gwarancyjne wg karty gwarancyjnej. Producent nie odpowiada za jakiegokolwiek szkody spowodowane nieprawidłowym postępowaniem z wyrobem.

Serwis

- Producent sprzętu sugeruje, by wszelkie naprawy i czynności regulacyjne były wykonywane przez Serwis Fabryczny lub Serwis Autooryzowany producenta. Ze względu na bezpieczeństwo nie należy naprawiać urządzenia we własnym zakresie.
- Naprawy, wykonywane przez osoby nie posiadające wymaganych kwalifikacji mogą stanowić poważne niebezpieczeństwo dla użytkownika urządzenia.
- Minimalny okres obowiązywania gwarancji na urządzenie oferowane przez producenta, importera lub upoważnionego przedstawiciela jest podany w karcie gwarancyjnej.
- Urządzenie traci gwarancję w wyniku samowolnych adaptacji, przeróbek, naruszenia plomb lub innych zabezpieczeń sprzętu lub jego części oraz innych samowolnych ingerencji w sprzęt niezgodnych z instrukcją obsługi.

Zgłoszenie naprawy oraz pomoc w razie usterki

Jeżeli urządzenie wymaga naprawy, należy skontaktować się z serwisem. Dane adresowe serwisu jak i kontaktowy numer telefonu znajduje się w karcie gwarancyjnej. Przed kontaktem należy przygotować numer seryjny urządzenia, znajduje się on na tabliczce znamionowej. Dla wygody przepisz go poniżej:

--	--	--	--	--	--	--	--	--	--	--	--	--	--	--	--	--	--	--	--

Oświadczenie producenta

Producent deklaruje niniejszym, że wyrób ten spełnia zasadnicze wymagania wymienionych poniżej dyrektyw europejskich:

- **dyrektywy niskonapięciowej 2014/35/UE**
- **dyrektywy kompatybilności elektromagnetycznej 2014/30/UE**
- **dyrektywy ekoprojektowania 2009/125/UE**
- **dyrektywy RoHS 2011/65/UE**

i dlatego wyrób został oznakowany **CE** oraz została wystawiona dla niego deklaracja zgodności udostępniana organom nadzorującym rynek.

Vážený kliente,

počínaje dnešním dnem jsou každodenní povinnosti jednodušší než kdykoli jindy. Zařízení **Amica** je spojením výjimečně snadné obsluhy a vynikající efektivity. Po přečtení návodu nebudete mít problém s obsluhou.

Zařízení, které opustilo továrnu, bylo důkladně zkontrolováno před zabalením z hlediska bezpečnosti a funkčnosti na kontrolních stanovištích.

Před uvedením zařízení do provozu si pozorně přečtěte návod k obsluze. Dodržováním pokynů uvedených v návodu předejdete nesprávnému používání. Návod si ponechte a uschovejte tak, abyste jej měli vždy při ruce.

Dodržujte přesně návod k obsluze, abyste zabránili nešťastným událostem.

S úctou

Amica

BEZPEČNOSTNÍ POKYNY

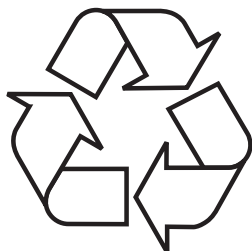
- Odsavač používejte teprve po přečtení tohoto návodu!
- Zařízení je určeno výlučně pro domácí použití.
- Výrobce si vyhrazuje možnost provádění změn, které nemají vliv na funkčnost zařízení.
- Výrobce nenesе žádnou odpovědnost za eventuální škody nebo požár způsobené zařízením, vyplývající z nedodržování pokynů uvedených v tomto návodu.
- Kuchyňský odsavač slouží k odstraňování kuchyňských výparů. Nepoužívejte jej pro jiné účely.
- Odsavač pracující v odtahovém režimu napojte na příslušný ventilační kanál (nenapojujte na komínové, kouřové nebo spalinové kanály, které jsou v provozu). Odsavač musí mít namontované potrubí odvádějící vzduch ven. Délka potrubí (nejčastěji roura Ø 120 nebo 150 mm) nesmí být delší než 4–5 m. Potrubí odvádějící vzduch se rovněž vyžaduje u teleskopických a nábytkových odsavačů v režimu pohlčovače.
- Odsavač pracující jako pohlčovač vyžaduje filtr s aktivním uhlím. V tomto případě není nutná montáž potrubí odvádějícího vzduch ven, zato se doporučuje namontovat zpětnou klapku vzduchu (pouze komínové odsavače).
- Odsavač má nezávislé osvětlení a odtahový ventilátor s možností nastavení jedné z několika rychlostí otáček.
- V závislosti na verzi zařízení je odsavač určen pro trvalé připevnění na svislou stěnu nad plynový nebo elektrický sporák (komínové a univerzální odsavače); na strop nad plynový nebo elektrický sporák (ostrůvkové odsavače); na svislou stěnu v kuchyňské lince nad plynový nebo elektrický sporák (teleskopické a vestavné odsavače). Před montáží se ujistěte, že konstrukce stěny/stropu

udrží hmotnost odsavače. Některé modely odsavačů jsou velmi těžké.

- Montážní výška zařízení nad elektrickou deskou je uvedena v technickém listu (technické specifikaci zařízení). Pokud v montážních návodech plynových zařízení je uvedena větší vzdálenost, zohledněte to (Obr. 1).
- Pod kuchyňským odsavačem nenechávejte otevřený plamen při sundávání nádobí z hořáku, nastavte minimální plamen. Vždy zkontrolujte, zda plamen nepřesahuje přes okraj nádoby, protože to způsobuje nežádoucí ztráty energie a nebezpečnou koncentraci tepla.
- Na pokrmy připravované na tuku neustále dohlížejte, protože rozehřátý tuk se může snadno vznítit.
- Před každým čištěním, výměnou filtru nebo před zahájením opravy vyjměte zástrčku zařízení ze zásuvky.
- Protitukový filtr do kuchyňského odsavače čistěte alespoň jednou za měsíc, protože nasáknutý tukem je lehce hořlavý.
- Pokud jsou v místnosti v provozu kromě odsavače jiná zařízení s neelektrickým napájením (např. kamna na kapalné palivo, průtokové ohřivače, termy), zajistěte dostatečné větrání (přívod vzduchu). Bezpečné používání je možné, když při současném provozu odsavače a spalovacích zařízení, závislých na vzduchu v místnosti, je v místě postavení těchto zařízení podtlak nanejvýš 0,004 milibarů (tento bod neplatí, pokud kuchyňský odsavač používáte jako pohlcovač pachů).
- Odsavač nemá sloužit jako plocha pro opření se osob nacházejících se v kuchyni.
- Okap často čistěte jak z vnějšku, tak i uvnitř (ALESPŇ JEDNOU ZA MĚSÍC, s dodržením pokynů ohledně údržby uvedených v tomto návodu). Nedodržování zásad týkajících se čištění odsavače a výměny filtrů způsobuje nebezpečí požáru.
- Pokud se napájecí kabel poškodí, musí být vyměněn ve specializovaném servisu.

- Zajistěte možnost odpojení zařízení od elektrického napájení vytažením zástrčky nebo vypnutím dvoupólového vypínače.
- Toto zařízení není přizpůsobeno používání osobami (včetně dětí) s omezenou fyzickou, smyslovou nebo psychickou schopností nebo osobami s nedostatečnými zkušenostmi a znalostí zařízení, ledaže jej používají pod dohledem nebo v souladu s návodem k používání zařízení, předaným osobami zodpovídajícími za jejich bezpečnost.
- Všimněte si pozorně, aby zařízení nepoužívaly děti ponechané bez dozoru.
- Zkontrolujte, zda napětí uvedené na výrobním štítku odpovídá místním parametrům napájení.
- Před montáží roztáhněte a vyrovnejte síťový kabel.
- Obalové materiály (polyetylenové sáčky, pěnový polystyren apod.) nenechávejte při vybalování v dosahu dětí.
- Před připojením odsavače k elektrickému napájení vždy zkontrolujte, zda je síťový kabel správně nainstalován a zda NEBYL přimáčknutý odsavačem při montáži. NEPRIPOJUJTE zařízení k elektrické síti před ukončením montáže.
- Je zakázáno používat odsavač bez namontovaných hliníkových protitukových filtrů.
- Přísně je zakázáno připravovat pod odsavačem pokrmy na otevřeném ohni (flambování).
- V rámci nutnosti použití technických a bezpečnostních opatření týkajících se odvádění spalin dodržujte přesně předpisy vydané kompetentními místními orgány.
- Neutažení šroubů a upevňovacích prvků podle těchto pokynů může vést k ohrožení zdraví a života.
- Závěsné odsavače fungují pouze v režimu pohlcovače pachů.
- **POZOR!** V případě chybějící instalace šroubů a úchytných prvků dle pokynů uvedených v tomto návodu může dojít k vzniku nebezpečí elektrické povahy.

VYBALENÍ



Zařízení bylo po dobu přepravy zabezpečeno proti poškození. Po vybalení zařízení odstraňte části obalu způsobem, který neohrožuje životní prostředí.

Všechny materiály použité na obal jsou stoprocentně neškodné pro životní prostředí a jsou vhodné pro zpětné získání a byly označeny příslušným symbolem. Upozornění! Obalové materiály (polyetylenové sáčky, pěnový polystyren apod.) nenechávejte při vybalování v dosahu dětí.

LIKVIDACE OPOTŘEBOVANÝCH ZAŘÍZENÍ



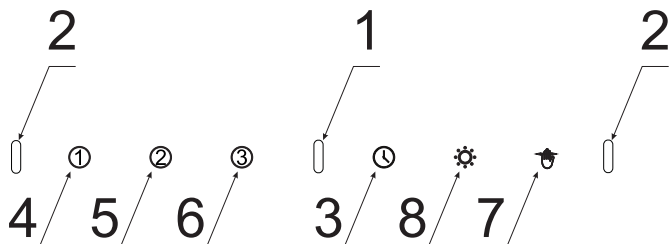
Toto zařízení je označeno v souladu s evropskou směrnicí 2012/19/ES. Takové označení znamená, že toto zařízení se po ukončení životnosti nesmí vyhazovat společně s jiným domácím odpadem.

Uživatel je povinen odevzdat jej do sběrný použitých elektrických a elektronických zařízení. Provádějící sběr, včetně místních sběren, obchodů a obecních úřadů, tvoří systém umožňující odevzdávání těchto zařízení. Příslušné nakládání s použitými elektrickými a elektronickými zařízeními zabranuje negativním následkům pro lidské zdraví a životní prostředí, vznikajícím z přítomnosti nebezpečných složek a nesprávného skladování a zužitkování takových zařízení.

OBSLUHA

Ovládání odsavače

Ovládací panel odsavače je znázorněn na obrázku 4, pro připomenutí se nachází také níže:



Zařízení je vybaveno senzory gest:

- 1- Pohybové senzory zodpovědné za zapnutí/vypnutí osvětlení
- 2- Pohybové senzory zodpovědné za změnu rychlosti zařízení

Ovládací panel je vybaven senzory. Jejich funkce jsou popsány níže:

- 3- Senzor Timer (opožděné vypnutí digestoře)
- 4- Nejnižší rychlost - Tuto rychlost používejte při malém množství páry.
- 5- Střední rychlost - Tuto rychlost používejte při středním množství páry, například při vaření více pokrmů najednou.
- 6- Nejvyšší rychlost - Tuto rychlost používejte při největším množství páry, například při smažení nebo grilování.
- 7- Snímač aktivace a deaktivace ovládání pomocí gest
- 8- Senzor ovládání osvětlení

Po připojení zařízení ke zdroji energie, digestoř vydá krátký zvukový signál a všechny senzory se na chvíli rozsvítí.

Aby zapnout turbínu zařízení, dotkněte se senzoru 1,2 nebo 3. K vypnutí turbíny dojde po dotknutí se aktivního senzoru rychlosti.

Chcete-li zapnout osvětlení, dotkněte se senzoru . Chcete-li vypnout osvětlení, dotkněte se senzoru podruhé. Osvětlení funguje nezávisle na motoru.

Timer (opožděné vypnutí odsavače)

Tato funkce slouží k opožděnému vypnutí motoru odsavače. Tuto funkci použijte po ukončení vaření, abyste očistili vzduch v místnosti od výparů. Vypnutí motoru nastane po 15 minutách. Chcete-li zapnout funkci opoždění, během práce digestoře v libovolné rychlosti, dotkněte se senzoru jednou. Senzor začne blikat, Aby vypnout funkci opoždění, dotkněte se v libovolném momentu senzoru opakovaně a přestane blikat senzor .

Ovládání gesty

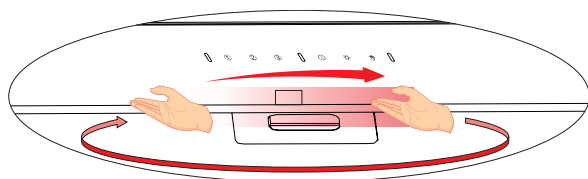
Aby zapnout / vypnout funkci ovládání pomocí gest, dotkněte se senzoru , symbol se podsvítí.

Pomocí gest můžete ovládat rychlost turbíny odsavače a osvětlení. Když je aktivní funkce ovládání gesty, můžete také ovládat zařízení klasickým způsobem, použitím vhodných senzorů.

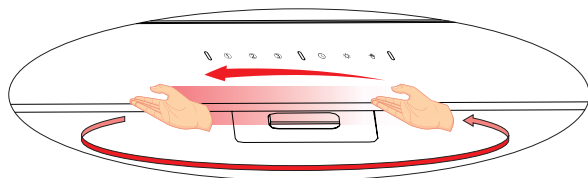
Ovládání gesty funguje správně, když provádíte mávnutí otevřenou dlaní ve vzdálenosti asi 3-10 cm od povrchu ovládacího panelu.

Upozornění: Během ovládání rychlosti turbíny, musí pohyb ruky pokrýt oba snímače pohybu (obrázek 4, položka 2) nebo ruka musí být v dosahu snímače ovládání světla bez pohybu (obrázek 4, položka 1).

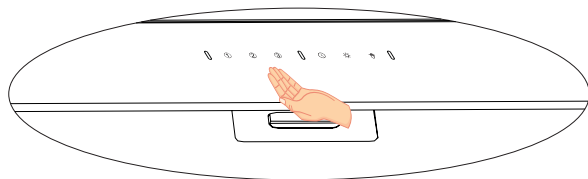
Při zapnutí určité funkce (např. rychlosti 3), je třeba opakovaný pohyb rukou, zpětný pohyb by měl být prováděn dále od ovládacího panelu nebo mimo dosah senzorů). Mávnutí dlaní nesmí být příliš rychlé. Nejlépe, když jedno mávnutí trvá asi 1 sekundu.




Chcete-li zapnout turbínu zařízení nebo zvýšit její rychlost, několikrát pohybujte rukou zleva doprava. S každým pohybem dlaně se podsvítí senzor aktivní rychlosti.



Pro vypnutí turbíny zařízení nebo snížení její rychlosti několikrát posuňte dlaň zprava doleva, dokud se nerozsvítí senzor 1. Ještě jednou přesuňte dlaní, motor digestoře se zcela vypne (funkce ovládání pomocí gest bude stále aktivní)



Chcete-li zapnout nebo vypnout osvětlení, nastavte ruku asi na 2 sekundy v blízkosti středu panelu (pod senzorem označeným jako 1). Symbol  se podsvítí.

Jiné důležité informace o obsluze odsavače

Provoz jako pohlčovač: V tomto provozním režimu se přefiltrovaný vzduch vrací zpět do místnosti k tomu přizpůsobenými otvory. Při tomto nastavení nainstalujte uhlíkový filtr a doporučuje se montáž zpětné vzduchové klapky (dostupnost v závislosti na modelu, vyskytuje se hlavně v komínových odsavačích).

Provoz jako odtah: Během odtahového provozního režimu odsavače je vzduch odváděn vně speciálním potrubím. Při tomto nastavení odstraňte eventuální uhlíkový filtr. Odsavač je připojen k otvoru odvádějícímu vzduch ven pomocí tuhého nebo pružného potrubí o průměru 150 mm nebo 120 mm a vhodných svorek k potrubím, které je třeba zakoupit v prodejnách s instalačním materiálem. Připojení svěřte kvalifikovanému pracovníkovi.

Rychlost ventilátoru: Nejnižší a střední rychlost používejte za normálních podmínek a při nízké koncentraci výparů, zatímco nejvyšší rychlost používejte pouze při vysoké koncentraci kuchyňských výparů, např. při smažení nebo grilování.

Poznámka (týká se pouze univerzálních odsavačů): Konstrukce univerzálních odsavačů vyžaduje manuální změnu provozního režimu odsavače. Způsob změny tohoto režimu je znázorněn na obrázku 8.

Poznámka (týká se pouze nábytkových a teleskopických odsavačů): Nábytkové a teleskopické odsavače pracující jako pohlčovač vyžadují montáž roury odvádějící vzduch. Druhý konec roury nasměrujte do místnosti, rourou bude odváděn filtrovaný vzduch.

Upozornění: Závěsné odsavače pracují pouze jako pohlčovač.

ČIŠTĚNÍ A ÚDRŽBA

Údržba

Pravidelná údržba a pravidelné čištění zařízení zajistí správný a bezporuchový provoz odsavače a prodlouží jeho životnost. Věnujte zvláštní pozornost tomu, aby se protitukový filtr a filtr s aktivním uhlím čistily a měnily podle pokynů výrobce.

- Nepoužívejte navlhčené hadříky nebo houby a také proud vody.
- Nepoužívejte rozpouštědla a alkohol, protože by mohly zmatnit lakované povrchy.
- Nepoužívejte leptavé látky, zejména na čištění povrchů z nerezové oceli.
- Nepoužívejte tvrdý, drsný hadřík.
- Doporučuje se používat vlhký hadřík a neutrální čisticí přípravky.

Upozornění: Po několika mytích v myčce se může změnit barva hliníkového filtru. Změna barvy neznamená odchylku a nutnost jeho výměny.

Protitukový filtr

Protitukový filtr čistěte jednou za měsíc během normálního provozu odsavače, v myčce nebo ručně jemným čisticím přípravkem nebo tekutým mýdlem.

Demontáž protitukového filtru je znázorněna na obrázku 5.

U některých modelů se používá akrylový filtr. Měňte jej alespoň jednou za dva měsíce nebo častěji v případě výjimečně intenzivního používání.

Uhlíkový filtr

Uhlíkový filtr používejte pouze v případě, když odsavač není připojen k ventilačnímu kanálu. Filtr s aktivním uhlím má schopnost pohlcovat pachy až do svého nasycení. Není vhodný také k mytí a regeneraci a musí se měnit alespoň jednou za 3-4 měsíce nebo častěji v případě výjimečně intenzivního používání.

Demontáž uhlíkového filtru je znázorněna na obrázku 6.

Osvětlení

Používejte žárovky / halogeny / diodové moduly se stejnými parametry jako u původních namontovaných v zařízení. Výměna žárovek je znázorněna na obrázku 7. Pokud obrázek není v tomto návodu, výměnu osvětlovacího modulu může provést pouze autorizovaný servis.

ZÁRUKA, POPRODEJNÍ SERVIS

Záruka

Záruční plnění podle záručního listu. Výrobce neodpovídá za žádné škody způsobené nesprávným zacházením s výrobkem.

Servis

- Výrobce zařízení doporučuje, aby všechny opravy a seřizovací činnosti prováděl tovární servis nebo autorizovaný servis výrobce. Z bezpečnostních důvodů neopravujte zařízení vlastními silami.
- Opravy osobami bez požadované kvalifikace mohou představovat vážné nebezpečí pro uživatele zařízení.
- Minimální doba platnosti záruky na zařízení nabízené výrobcem, dovozcem nebo oprávněným zástupcem je uvedena v záručním listu.
- Zařízení ztrácí záruku v důsledku svépomocných adaptací, upravy, porušení plomb nebo dalších zabezpečení přístroje nebo jeho částí a dalších svépomocných zásahů do zařízení v rozporu s návodem k obsluze.

Oznámení poruchy a pomoc v případě závady

Potřebuje-li zařízení opravit, kontaktujte servis. Kontaktní údaje servisu včetně telefonního čísla se nacházejí v záručním listu. Před kontaktem si připravte výrobní číslo zařízení, nachází se na výrobním štítku. Pro pohodlí si ho přepište níže:

--	--	--	--	--	--	--	--	--	--	--	--	--	--	--

Prohlášení výrobce

Producent tímto prohlašuje, že tento výrobek splňuje základní požadavky níže uvedených evropských směrnic:

- směrnice pro nízkonapěťová zařízení 2014/35/EC
- směrnice o elektromagnetické kompatibilitě 2014/30/EC
- směrnice ErP - 2009/125/EC
- směrnice RoHS 2011/65/EC

Zařízení je označeno symbolem **CE** a má prohlášení o shodě pro kontrolu příslušným orgánem dozoru nad trhem.

Vážený zákazník

Od dnešného dňa každodenné povinnosti budú jednoduchšie ako kedykoľvek predtým. Zariadenie značky **Amica** spája výnimočne jednoduché používanie a dokonalú efektívnosť. Keď sa oboznámite s užívateľskou príručkou, s používaním zariadenia nebudete mať žiadne problémy.

Zariadenie, ktoré opúšťa továreň, bolo pred konečným zabalením na kontrolných staniciach dôkladne skontrolované, čo sa týka bezpečnosti a funkčnosti zariadenia.

Pred spustením zariadenia sa podrobne a dôkladne oboznámte s užívateľskou príručkou. Dodržiavaním pokynov a odporúčaní, ktoré sú v príručke uvedené, predídete nesprávnemu používaniu zariadenia. Príručku uchovajte a uložte ju na takom mieste, aby bola v prípade potreby ľahko dostupná.

Dôkladne dodržiavajte pokyny a odporúčania uvedené v príručke, vyhnete sa tak nešťastným nehodám či úrazom.

S úctou

Amica

BEZPEČNOSTNÉ POKYNY POUŽÍVANIA

- Odsávač používajte iba po prečítaní tohto návodu!
- Zariadenie je určené iba na domáce, neprofesionálne použitie.
- Výrobca si vyhradzuje právo na vykonávanie zmien, ktoré neovplyvňujú fungovanie zariadenia.
- Výrobca nezodpovedá za prípadné škody alebo požiare spôsobené zariadením následkom nedodržiavania pokynov a odporúčaní, ktoré sú uvedené v tejto príručke.
- Kuchynský odsávač sa používa na odstraňovanie (odsávanie) kuchynských pár. Nepoužívajte ho na iné účely.
- Odsávač, ktorý funguje v režime odsávania, pripojte k príslušnému ventilačnému potrubiu (nepripájajte ku komínovým, dymovým alebo spalinovým potrubiam, ktoré sú v prevádzke). Odsávač vyžaduje inštaláciu potrubia, ktoré odvádza vzduch smerom von z miestnosti. Dĺžka potrubia (najčastejšie rúra Ø 120 alebo 150 mm) nesmie byť dlhšia ako 4-5 m. Potrubie odvádzajúce vzduch sa musí používať aj v prípade teleskopických a vstavaných odsávačov používaných v režime pohlčovania
- Odsávač, ktorý je nastavený režime pohlčovania, vyžaduje inštaláciu filtra s aktívnym uhlím. V tomto prípade sa nevyžaduje inštalácia potrubia odvádzajúceho vzduch von, odporúča sa však montáž usmerňovača prúdu vzduchu (iba komínové odsávače).
- Odsávač má nezávislé osvetlenie a tiež odťahový ventilátor s možnosťou nastaviť jednu z niekoľkých rýchlostí otáčania.

- V závislosti na verzii zariadenia je odsávač určený na trvale pripevnenie na zvislú stenu nad plynovým alebo elektrickým sporákom (komínové a univerzálne odsávače); na strop nad plynovým alebo elektrickým sporákom (ostrovne odsávače); na zvislú stenu v zabudovanom nábytku nad plynovým alebo elektrickým sporákom (teleskopické a vstavané odsávače). Pred inštaláciou sa uistite, či konštrukcia steny / stropu je dostatočná na udržanie odsávača. Niektoré modely odsávačov sú veľmi ťažké.
- Výška inštalácie zariadenia nad elektrickou varnou doskou je uvedená v liste výrobku (technickej špecifikácii zariadenia). Ak je v montážnej príručke plynových zariadení uvedená väčšia vzdialenosť, musí to byť pri montáži zohľadnené (obr. 1).
- Pod kuchynským odsávačom nenechávajte otvorený oheň, pri vyberaní riadu z horáku nastavte minimálny plameň. Vždy skontrolujte, či plameň nepresahuje poza riad, pretože to spôsobuje nežiaduce straty energie a nebezpečnú koncentráciu tepla.
- Jedlá pripravované na tuku/oleji musia byť pod stálym dohľadom, pretože nahriaty olej/tuk sa môže ľahko zapáliť.
- Pred každou manipuláciou, napr. čistenie, výmena filtra alebo pred začatím servisných prác, odsávač pár sa musí odpojiť od elektrického napätia.
- Protitukový filter do kuchynského odsávača sa musí čistiť minimálne raz mesačne, keďže zachytený tuk je ľahko horľavý.
- Ak sa v miestnosti, okrem odsávača, využívajú iné zariadenia s neelektickým spaľovaním (napr. pece na tekuté palivo, prietokové ohrievače), musí sa zabezpečiť dostatočné vetranie (prísun vzduchu). Bezpečné používanie je možné vtedy, ak pri súčasnom používaní odsávača a iných zariadení,

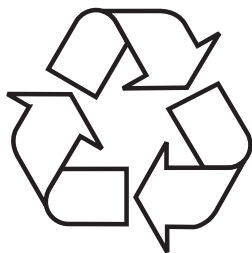
ktoré spotrebúvajú vzduch v danej miestnosti, na mieste používania týchto zariadení je podtlak maximálne 0,004 milibaru (tieto požiadavky sa nemusia splniť v prípade, ak sa odsávač používa v režime pohlcovača pár).

- Odsávač sa nesmie používať ako plocha na opieranie osôb, ktoré sú v kuchyni.
- Odsávač často čistite, tak z vonku ako aj z vnútra (MINIMALNE RAZ MESACNE), pričom dodržiavajte pokyny uvedené v tejto príručke. V prípade nedodržiavania zásad týkajúcich sa čistenia odsávača, ako aj výmeny filtrov, hrozí riziko vzniku požiaru.
- Ak bude napájací kábel bude poškodený, musí byť vymenený v špecializovanom servise.
- Zabezpečte možnosť odpojenia zariadenia od el. napätia vytiahnutím zástrčky z el. zásuvky, alebo vypnutím dvojpólového vypínača.
- Toto zariadenie nie je prispôbené k používaniu osobami (v tom deťmi) s obmedzenou fyzickou, zmyslovou alebo psychickou schopnosťou alebo osobami s nedostatočnými skúsenosťami a znalosťami zariadenia, iba ak je uskutočňované pod dohľadom alebo v súlade s návodom používania zariadenia, odovzdanom osobami odpovedajúcimi za ich bezpečnosť.
- Venujte mimoriadnu pozornosť tomu, aby spotrebič nepoužívali deti ponechané bez dozoru.
- Skontrolujte, či el. napätie uvedené na výrobnom štítku zariadenia sa zhoduje s parametrami el. napätia siete.
- Pred montážou napájací kábel rozviňte a vyrovnajte.
- Dávajte pozor, aby sa obalové materiály (polyetylénové vrecká, kúsky polystyrénu atď.) nedostali do rúk deťom.
- Pred pripojením odsávača k sieťovému napájaniu vždy skontrolujte, či bol napájací kábel správne

nainštalovaný a či NEBOL pritlačený odsávačom počas montážnych prác. Zariadenie nepripájajte k el. napätiu predtým, než úplne skončíte montáž zariadenia.

- Odsávač sa nesmie používať bez namontovaných hliníkových protitukových filtrov.
- Pod odsávačom sa v žiadnom prípade nesmú pripravovať jedlá s použitím otvoreného ohňa (flambovanie). Je to prísne zakázané.
- Čo sa týka dodržiavania požadovaných technických a bezpečnostných prostriedkov a pokynov týkajúcich sa odvádzania spalín, bezpodmienečne dodržujte platné miestne predpisy a normy.
- V prípade, ak skrutky, ako aj montážne a upevňujúce prvky nebudú správne (v súlade s touto príručkou) dotiahnuté (upevnené), hrozí riziko úrazu, či dokonca smrti.
- Visiace odsávače fungujú iba v režime pohlcovania pachov.
- **POZOR!** Chýbajúca inštalácia upevňovacích skrutiek alebo prostriedkov v súlade s týmito pokynmi môže spôsobiť úraz elektrickým prúdom.

ROZBALENIE



Zariadenie je chránené pred poškodením počas prepravy. Prosíme Vás, aby ste po vybalení zariadenia zlikvidovali obalové materiály spôsobom neohrozujúcim životné prostredie.

Všetky materiály použité na zabalenie sú neškodné pre životné prostredie, sú 100% recyklovateľné a sú označe-

né príslušným symbolom.

Pozor! Dávajte pozor, aby sa obalové materiály (polyetylenové vrecká, kusky polystyrénu atď.) nedostali do rúk deťom.

LIKVIDÁCIA ZARIADENÍ



Toto zariadenie je označené v súlade s Európskou smernicou 2012/19/ES. Tento symbol informuje, že toto zariadenie sa po opotrebovaní (skončení používania) nešmie vyhodiť do komunálneho odpadu. Užívateľ je povinný zariadenie odovzdať v zbernom mieste opotrebovaných elektrických a elektronických zariadení. Sub-

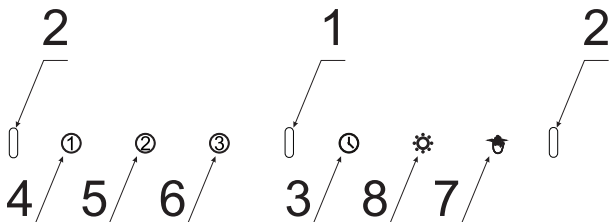
jekty, ktoré sa zaoberajú spracovaním opotrebovaných zariadení, tzn. miestne zberné miesta, obchody alebo jednotky štátnej správy, vytvárajú príslušný systém, ktorý každému umožňuje odovzdať takéto zariadenia.

Správny postup pri likvidácii elektrického a elektronického zariadenia predchádza negatívne mu vplyvu škodlivých pre ľudské zdravie a životné prostredie konzekvencií, ktoré vyplývajú z prítomnosti nebezpečných častí ako aj nesprávneho skladovania a recyklácie takýchto zariadení.

POUŽÍVANIE

Ovládanie odsávača

Ovládací panel odsávača je zobrazený na obr. 4, na pripomenutie je uvedený aj nižšie:



Zariadenie má snímače na ovládanie gestami:

- 1- Snímač pohybu zodpovedný za zapínanie / vypínanie osvetlenia
- 2- Snímače pohybu zodpovedné za zmenu rýchlosti zariadenia

Ovládací panel má niekoľko snímačov. Ich funkcie sú opísané nižšie:

- 3- Snímač časovača (oneskorené vypnutie odsávača)
- 4- Najnižšia rýchlosť- Túto rýchlosť používajte vtedy, keď nevzniká veľké množstvo pary.
- 5- Stredná rýchlosť- Túto rýchlosť používajte, keď sa vytvára stredne veľké množstvo pary, napr. pri varení niekoľkých jedál súčasne.
- 6- Najvyššia rýchlosť- Túto rýchlosť používajte, keď sa vytvára veľké množstvo pary, napr. pri vyprášaní či grilovaní.
- 7- Snímač aktivácie a deaktivácie ovládania gestami
- 8- Snímač ovládania osvetlenia

Keď zariadenie pripojíte k el. napätiu, odsávač vydá krátky zvukový signál, a zároveň sa na chvíľu zasvietia všetky snímače.

Turbínu zariadenia spustíte stlačením snímača 1, 2 alebo 3. Turbínu vypnete stlačením snímača rýchlosti, ktorá je práve spustená.

Osvetlenie zapnete stlačením snímača ☀. Keď chcete osvetlenie vypnúť, znovu stlačte snímač ☀. Osvetlenie funguje nezávisle od motora.

Časovač (oneskorené vypnutie odsávania)

Táto funkcia je určená na nastavenie oneskoreného vypnutia odsávania. Funkcia je vhodná napr. vtedy, keď chcete po skončení varenia odsáť všetky pary (zápach) z miestnosti. Motor sa vypne po cca 15 minútach. Keď chcete spustiť funkciu oneskorenia, keď je spustené odsávanie na ľubovoľnej rýchlosti, jedenkrát stlačte snímač ⌚. Snímač začne blikať. Keď chcete funkciu oneskoreného vypnutia deaktivovať, v ľubovoľnej chvíli opäť stlačte snímač ⌚, následne prestane snímač ⌚ blikať.

Ovládanie gestami

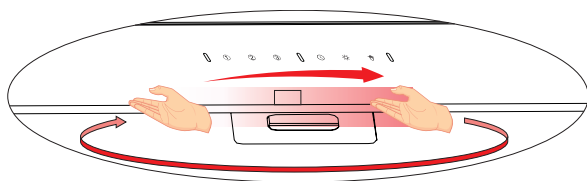
Keď chcete aktivovať/deaktivovať funkciu ovládania gestami, stlačte snímač , zasvieti príslušný symbol.

Pomocou gest môžete nastavovať rýchlosť turbíny odsávača a osvetlenie. Keď je aktívna funkcia ovládania gestami, zariadenie stále môžete ovládať tradičným spôsobom, tzn. používaním príslušných snímačov.

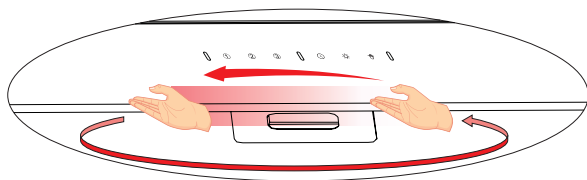
Ovládanie gestami funguje správne, keď pohyby vykonávate dlaňou vo vzdialenosti cca 3 až 10 cm od povrchu ovládacieho panela.

Pozor: Keď ovládate rýchlosť turbíny, pohyb dlaňou musí prechádzať cez dosah oboch snímačov pohybu (obr. 4, pol. 2), alebo ruka musí stáť v dosahu snímača ovládania svetla (obr. 4, pol. 1).

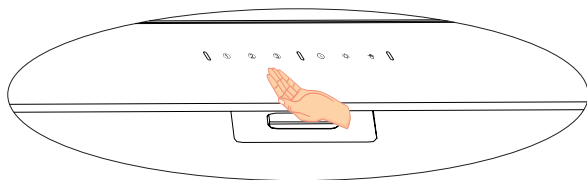
Keď na zapnutie danej funkcie (napr. rýchlosti 3) musíte viackrát presunúť dlaň, spätný pohyb vykonávajte vo väčšej vzdialenosti od ovládacieho panela, alebo mimo dosahu snímačov. Pohyby dlane nemôžu byť príliš rýchle. Najlepšie, ak dané jedno gesto trvá cca 1 sekundu.




Keď chcete zapnúť turbínu zariadenia alebo zvýšiť jej rýchlosť, viackrát presuňte dlaň zľava doprava. Pri každom pohybe dlane sa zasvieti ukazovateľ aktívnej rýchlosti.



Keď chcete vypnúť turbínu zariadenia alebo zmenšiť rýchlosť, niekoľkokrát presuňte dlaňou sprava doľava, kým nezasvieti ukazovateľ 1. Keď presuniete dlaň ešte raz, motor odsávača sa úplne vypne (funkcia ovládania gestami bude aj naďalej aktívna).



Keď chcete zapnúť alebo vypnúť osvetlenie, podržte dlaň na cca 2 sekundy približne v strede panela (pod snímačom označeným ako 1). Symbol  sa zasvieti.

Iné dôležité informácie týkajúce sa používania odsávača

Režim pohlčovania: V tomto režime sa prefiltrovaný vzduch cez otvory, ktoré sú na to určené, vracia späť do miestnosti (recirkulácia). Pri tomto nastavení sa musí namontovať uhlíkový filter, a tiež odporúčame namontovať smerovač (difúzor) vychádzajúceho vzduchu (dostupný pre každý model, používa sa predovšetkým v komínových odsávačoch).

Režim odsávania: V tomto režime odsávač odvádza vzduch vonku špeciálnym potrubím. V tomto režime nepoužívajte uhlíkový filter (ak je vložený, vyberte ho). Odsávač pár sa pripája k ventilačnému komínu pomocou pevných alebo elastický rúr s priemerom 150 mm alebo 120 mm a príslušných spojok, ktoré si môžete zaobstaráť v obchodoch s inštaláčnymi materiálmi. Pripojenie je potrebné zadať kvalifikovanému technikovi.

Rýchlosť ventilátora: Najnižšia a stredná rýchlosť ventilátora sa používa v normálnych podmienkach a pri malej koncentrácii pár. Najvyššia rýchlosť sa používa iba v prípade vysokej koncentrácie kuchynských pár, napr. počas smaženia, grilovania.

Pozor (týka sa iba univerzálnych odsávačov): Univerzálne odsávače sú skonštruované tak, že zmena režimu práce odsávača sa musí vykonať ručne. Spôsob zmeny režimu je znázornený na obrázku 8.

Pozor (týka sa iba vstavaných a teleskopických odsávačov): Vstavané a teleskopické odsávače používané v režime pohlčovania, musia mať namontované potrubie odvádzajúce vzduch. Druhý koniec potrubia je potrebné nasmerovať do miestnosti, tadiaľ bude odvádzaný prefiltrovaný vzduch.

Pozor: Visiace odsávače fungujú iba v režime pohlčovania.

ČISTENIE A ÚDRŽBA

Konzervácia

Pravidelné čistenie a údržba zariadenia zaručujú dobré fungovanie odsávača a zároveň predlžujú jeho životnosť. Dôležité je pravidelné čistenie protitukových filtrov a výmena uhlíkových filtrov v súlade s odporúčaniami výrobcu.

- Nepoužívajte vlhké handričky alebo špongie ani prúd vody.
- Nepoužívajte riedidlá ani alkohol, pretože by mohli zmatnieť lakované povrchy.
- Nepoužívajte leptavé látky, najmä na čistenie povrchov z nerezovej oceli.
- Nepoužívajte tvrdé, drsné handričky
- Odporúčame používať vlhkú a jemnú handričku s použitím jemných saponátov.

Pozor: Po niekoľkých umytiach v umývačke riadu sa farba hliníkového filtra (mriežky) môže zmeniť. Taká zmena farby neznamena, že filter nefunguje správne, a že sa musí vymeniť.

Protitukový filter

Protitukový filter je potrebné čistiť každý mesiac počas normálnej prevádzky odsávača, v umývačke riadu alebo ručne s použitím jemného čistiaceho prostriedku alebo tekutého mydla.

Demontáž protitukového filtra je znázornená na obrázku č. 5.

Pri niektorých modeloch je použitý akrylový filter. Musí byť vymenený aspoň raz za 2 mesiace, alebo častejšie v prípade veľmi intenzívneho používania.

Uhlíkový filter

Uhlíkový filter sa používajú iba vtedy, ak odsávač pár nie je pripojený na ventilačný komín. Uhlíkový filter je schopný absorbovať pachy až určitú absorpčnú hladinu – nasýtenie. Uhlíkové filtre sa nesmú umývať, nie sú vhodné na regeneráciu a musia sa vymieňať, a to aspoň raz na 3-4 mesiace alebo častejšie, ak sa odsávač pár využíva intenzívne. Demontáž uhlíkového filtra je znázornená na obrázku 6.

Osvetlenie

Je potrebné používať žiarovky / halogény / diódové moduly s rovnakými parametrami ako sú nainštalované výrobcom v zariadení. Výmena osvetlenia je znázornená na obrázku č. 7. Ak obrázok nie je v tejto príručke uvedený, modul osvetlenia môže vymeniť iba autorizovaný servis.

ZÁRUKA, POPREDAJNÝ SERVIS

Záruka

Záruka sa poskytuje podľa podmienok uvedených v záručnom liste. Výrobca neodpovedá za akékoľvek škody spôsobené nesprávnym zaobchádzaním a používaním výrobku.

Servis

- Výrobca zariadenia odporúča, aby všetky opravy a nastavovania výrobku vždy vykonával továrenský servis alebo autorizovaný servis výrobcu. Z bezpečnostných dôvodov neopravujte spotrebič svojpomocným spôsobom.
- Opravy vykonávané osobami, ktoré nemajú požadované kvalifikácie, môže predstavovať vážne nebezpečenstvo pre používateľa zariadenia.
- Minimálna lehota platnosti záruky na zariadenie ponúkané výrobcom, dovozcom alebo oprávneným zástupcom, je uvedená v záručnom liste.
- Záruka na zariadenie prestáva platiť v dôsledku vykonania adaptácie, prerobenia zariadenia, poškodenia plomb alebo iných ochrán a zabezpečení zariadenia alebo jeho častí alebo v dôsledku iných nepovolených zásahov do zariadenia, vykonaných v rozpore z používateľskou príručkou.

Nahlásenie opravy a pomoc v prípade poruchy

Ak je potrebné zariadenie opraviť, obráťte sa na autorizovaný servis. Kontaktné údaje servisu, vrátane kontaktného telefonného čísla, sú uvedené v záručnom liste. Pred tým, ako sa obrátite na servis, pripravte seriové číslo zariadenia, ktoré je uvedené na výrobnom štítku. Na uľahčenie ho prepíšte tu:

--	--	--	--	--	--	--	--	--	--	--	--	--	--	--	--	--	--	--	--	--

Vyhlasenie výrobcu

Výrobca týmto vyhlasuje, že výrobok spĺňa dôležité požiadavky nasledujúcich európskych smerníc:

- **smernica pre nízke napätie 2014/35/EC**
- **smernica elektromagnetickej kompatibility 2014/30/EC**
- **smernica ErP - 2009/125/EC**
- **smernica RoHS 2011/65/EC**

Zariadenie je označené symbolom  a má vyhlásenie o zhode na kontrolu príslušným orgánom dohľadu nad trhom.

Stimate Client

De astăzi activitățile zilnice vor deveni mult mai simple decât oricând. Aparatul **Amica** este o combinație excepțională în utilizarea ușoară și eficiența excepțională. După citirea acestor instrucțiuni, utilizarea nu va fi o problemă.

Electrocasnicul a fost verificat minuțios pe linia de fabricație la posturile de control din punct de vedere al parametrilor de siguranță și funcționalitate înainte de a fi ambalat.

Vă rugăm să citiți cu atenție aceste instrucțiuni înainte de a utiliza aparatul. Respectarea indicațiilor cuprinse în aceste instrucțiuni vă vor permite să evitați utilizarea incorectă a electrocasnicului. Instrucțiunile trebuie păstrate și depozitate în așa fel încât să le aveți mereu la îndemână.

Instrucțiunile de utilizare trebuie respectată cu exactitate pentru a evita accidentele.

Cu deosebită stimă

Amica

INDICAȚII PRIVIND SIGURANȚA

- Hota poate fi folosită numai după citirea prezentelor instrucțiuni
- Hota este destinată numai pentru uz casnic
- Producătorul își rezervă dreptul de a efectua modificări care nu vor afecta funcționarea.
- Producătorul nu își asumă nici un fel de responsabilitate pentru eventualele daune sau incendii care vor fi cauzate de acest dispozitiv care vor rezulta din nerespectarea prevederilor cuprinse în prezentul manual.
- Hota de deasupra aragazului este destinat pentru îndepărtarea vaporilor din bucătărie. Nu trebuie folosit în alte scopuri.
- Hota care funcționează în varianta cu evacuare trebuie conectată la o conductă de evacuare corespunzătoare (nu conectați la hornuri, coșuri de fum sau de evacuare a gazelor, care se află deja în exploatare). Hota necesită instalarea unei conducte care va evacua aerul în exterior. Lungimea conductei (de obicei tub Ø 120 mm sau 150 mm) nu ar trebui să fie mai lungă decât 4-5 m. Tubul de evacuarea aerului este de asemenea necesar la hotele telescopice și incorporabile utilizate în varianta filtrare- recirculare.
- Hota care funcționează în varianta filtrare-recirculare necesită instalarea filtrului cu carbon activ. În acest caz nu este nevoie să montați conductă de evacuare a aerului în exterior, în schimb se recomandă montajul unui deflector, în special la hotele tip horn).
- Hota posedă iluminare independentă și ventilator de evacuare a vaporilor cu posibilitatea de setare a uneia din cele câteva viteze de rotație.

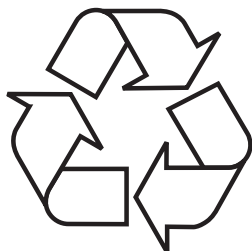
- În funcție de versiunea dispozitivului, hota este destinată pentru montajul permanent pe peretele vertical deasupra aragazului pe gaz sau a celui electric (hotele cu horn și cele universale); pe tavan deasupra aragazului pe gaz sau a celui electric (hote tip insulă); pe peretele vertical în cadrul mobilierului incorporat deasupra aragazului pe gaz sau a celui electric (hotele telescopice și cele incorporabile). Înainte de începerea montajului trebuie să vă asigurați că structura peretelui / tavanului este corespunzătoare pentru susținerea hotei. Unele modele de hote sunt foarte grele.
- Înălțimea de montare a hotei deasupra plitei electrice este menționată în instrucțiunile produsului (specificația tehnică a hotei). În cazul în care în manualul pentru instalarea dispozitivelor cu gaz este precizată o distanță mai mare, se va respecta aceasta distanță (Fig.1).
- Sub hota de bucătărie nu se permite lăsarea flăcării deschise, în timpul dării la o parte a vaselor de pe zona de gătit, trebuie setată flacăra cea mai mică.. Întotdeauna trebuie să verificați dacă flacăra iese în afara vasului, deoarece aceasta poate conduce la pierderea nedorită a energiei și la o concentrare periculoasă a căldurii.
- Mâncărurile care sunt pregătite cu folosirea uleiului trebuie în permanență supravegheate, deoarece uleiul încins se poate aprinde foarte repede.
- Înainte de fiecare operațiune de curățare, înlocuire a filtrului sau înainte de a începe lucrările de reparare, trebuie să scoateți ștecherul din priză.
- Filtrul împotriva grăsimilor pentru hota de bucătărie trebuie curățat cel puțin 1 dată pe lună, deoarece plin de grăsime este ușor inflamabil.
- În cazul în care în încăperea, în afara hotei, sunt exploatate și alte dispozitive cu alimentare ne-electrică (de ex. sobe cu combustibil lichid, încălzitoare apă, boilere), trebuie să aveți grijă ca

sistemul de aerisire să fie corespunzător (fluxul de aer). Exploatarea în siguranță este posibilă în cazul în care în timpul funcționării concomitente a hotei și a dispozitivelor de ardere, în funcție de aerul din încăpere, pe locul de amplasare a acestor dispozitive există subpresiune nu mai mare de 0,004 milibari (acest punct nu este obligatoriu, atunci când hota de deasupra aragazului este folosită ca sistem de absorbție a mirosurilor).

- Hota de bucătărie nu trebuie să fie folosită ca suprafață de sprijin pentru persoanele care se află în bucătărie.
- Hota trebuie să fie curățată frecvent atât în exterior cât și în interior (CEL PUȚIN ODATA PE LUNA, respectând indicațiile privind întreținerea prezentate în manual). Nerespectarea acestor reguli privind curățarea hotei și schimbul de filtre poate duce la apariția de incendii.
- În cazul în care cablul de alimentare va fi deteriorat, atunci acesta trebuie înlocuit cu unul nou de către un centru de reparații autorizat.
- Trebuie să fie posibilă deconectarea dispozitivului de la rețeaua de alimentare cu curent electric, prin deconectarea ștecherului sau oprirea întrerupătorului bipolar
- Aparatul acesta nu poate fi folosit de către persoane (inclusiv copii) cu capacități fizice, senzoriale sau psihice limitate, ori de către persoane care nu au experiență sau nu cunosc aparatul, cu excepția cazului în care acest lucru are loc sub supravegherea sau conform instrucțiunii de utilizare a aparatului, indicate de către persoanele responsabile de siguranța acestora.
- Trebuie să fiți foarte atenți ca acest dispozitiv să nu fie folosit de copii lăsați fără supraveghere.
- Verificați dacă tensiunea care este trecută pe eticheta de fabricație corespunde parametrilor de alimentare de la locul unde va fi aceasta folosită.

- Înainte de montaj trebuie să desfaceți și să întindeți cablul de alimentare cu curent electric.
- Materialele ambalajului (sacii din polietilena, bucățile de polistiren etc.) nu trebuie lăsate la îndemâna copiilor pe durata despachetării.
- Înainte de a conecta hota la sursa de alimentare trebuie de fiecare dată să verificați dacă cablul de alimentare este în mod corect instalat și NU a fost strivit de către hotă în timpul operațiilor de montare. Nu conectați dispozitivul la rețeaua de alimentare cu curent electric înainte de sfârșitul montajului.
- Este interzisă folosirea hotei fără filtrele de aluminiu instalate împotriva depunerii grăsimilor.
- Este strict interzisă pregătirea sub hotă a mâncărilor care necesită folosirea flăcării deschise (flambare).
- În măsura în care este necesară punerea în aplicare a cerințelor tehnice și de siguranță în ceea ce privește gazele de evacuare trebuie să fie respectate cu strictețe reglementările emise de către autoritățile locale competente.
- Neînșurubarea șuruburilor sau a elementelor de fixare în conformitate cu prezentele instrucțiuni poate conduce la apariția pericolelor pentru viață și sănătate.
- Hotele suspendate funcționează numai în varianta filtrare- recirculare.
- **ATENȚIE!** Neinstalarea șuruburilor sau a dispozitivului de fixare în conformitate cu aceste instrucțiuni poate duce la pericolele de natură electrică.

DESPACHETARE



Dispozitivul este protejat împotriva deteriorării pe toată perioada transportului. Vă rugăm ca după ce despachetați aparatul să disponibilizați elementele ambalajului astfel încât acest lucru să nu dăuneze mediului înconjurător.

Toate materialele folosite pentru ambalaj nu dăunează mediului sunt 100% reciclabile și au fost marcate cu simbolul corespunzător.

Atenție! Materialele ambalajului (sacii din polietilenă, bucățile de polistiren etc.) nu trebuie lăsate la îndemână copiilor pe durata despachetării.

ÎNDEPĂRTAREA

DISPOZITIVELOR UZATE



Acest aparat este marcat conform Directivei Europene 2012/19/CE. Acest marcaj informează că echipamentul acesta după perioada în care a fost utilizat nu poate fi aruncat împreună cu gunoii menajer.

Beneficiarul are obligația de a preda dispozitivul uzat celor care se ocupă cu reciclarea echipamentelor electrice și electronice.

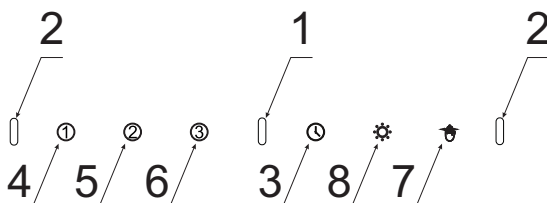
Instituțiile care le primesc, inclusiv punctele de ridicare, magazinele și autoritățile locale vor organiza un sistem corespunzător de predare a acestor echipamente.

Procedura corespunzătoare cu echipamentele electrice și electronice asigură eliminarea consecințelor dăunătoare pentru sănătatea oamenilor și a mediului înconjurător, care reies din prezența unor substanțe periculoase și din depozitarea și prelucrarea necorespunzătoare a acestui tip de echipament.

OPERARE

Control hotă

Panoul de control al hotei este prezentat pe diagrama 4, ca reamintire este menționat de asemenea mai jos:



Aparatul este echipat în sensor de control prin intermediul gesturilor:

- 1- Sensor responsabil pentru pornirea / oprirea iluminatului
- 2- Sensor de mișcare responsabil pentru schimbarea vitezei ale aparatului

Panoul de control este echipat în senzori. Alte funcții descrise mai jos:

- 3- Sensor Timer (oprirea cu întârziere a hotei)
- 4- Viteza mică - Utilizați această viteză la o cantitate nu prea mare de vapori.
- 5- Viteza medie - Utilizați această viteză la o cantitate medie de vapori, de exemplu atunci când gătiți mai multe feluri de mâncare în același timp.
- 6- Viteza mare - Utilizați această viteză la o cantitate foarte mare de vapori, de exemplu la prăjire sau la grill.
- 7- Sensor de activare și dezactivarea controlului cu gesturi
- 8- Sensor de control al iluminatului

După conectarea aparatului la sursa de alimentare, hota va emite un semnal scurt sonor, și se vor aprinde pentru puțin toți senzorii.


Pentru a porni turbina aparatului, atingeți senzori 1,2 sau 3. Oprirea turbinei urmează după apăsarea senzorului activ a vitezei.

Pentru a porni iluminatul, apăsați senzorul ☀. Pentru a opri iluminatul, apăsați senzorul ☀ încă odată. Iluminarea funcționează în mod independent.

Timer (întârzie oprirea hotei)

Funcția aceasta este utilizată pentru oprirea întârziată a hotei. Utilizarea acestei funcții după gătit, pentru a curăța aerul din aburi în cameră. Oprirea motorului urmează după 15 minute. Pentru a activa funcția de întârziere, în timp de funcționarea hotei pe orice viteză apăsați senzorul ⌚ odată. Senzorul va începe să clipească, pentru a opri funcția de întârziere, în orice moment apăsați senzorul ⌚ încă odată, în acel moment nu va mai clipi senzorul ⌚.

Controlul prin gesturi

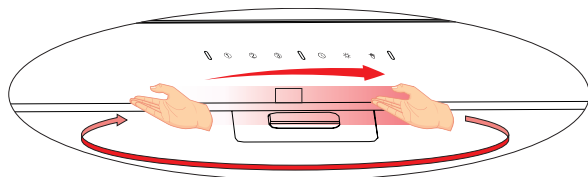
Pentru a porni / opri funcția de control cu gesturi, atingeți senzroul , simbolul este evidențiat.

Utilizați gesturile o puteți controla cu viteza turbinei a hoteli și iluminatului. Când este activat caracteristica de control gest, se poate controla, de asemenea, dispozitivul în mod tradițional, folosind senzori adecvați.

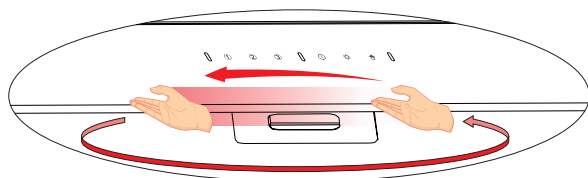
Gest de control funcționează corect atunci când efectuați mișcările cu palma la o distanță de aproximativ 3 - 10 cm de la suprafața panoului de control.

Atenție: La controlul vitezei al turbinei, mișcările cu palma trebuie să includă ambele senzori de mișcare (Figura 4, poz 2, sau mâna trebuie să fie fără mișcare în zona senzorului de control al luminii (Figura 4, poz 1).

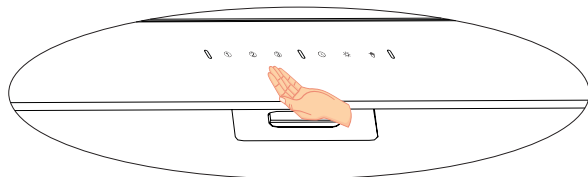
Când includerea o anumită funcție (de exemplu, viteza 3) necesită mai multe transferuri cu mâna, trafic întoarcere efectua la distanță suplimentare din panoul de control sau ocolind senzori). Mișcare cu mâna nu trebuie să fie prea rapidă. Cel mai bine individual, când un gest durează 1 secundă.




Pentru a activa turbina sau de a crește viteza, mișcați mâna de la stânga la dreapta de mai multe ori. Cu orice mișcare cu mâna se aprinde senzroul de viteză activă.



Pentru a opri turbina aparatului sau a micșora viteza acestuia, mutați cu mâna din partea dreaptă spre partea stângă de mai multe ori, până când se va aprinde senzorul 1. Deplasați mâna încă o dată, motorul se va opri total (funcția de control cu gesturi va fi mai departe activă)



Pentru a porni sau opri iluminatul, setați cu mâna pe aprox 2 secunde în jurul mijocului de panou (sub senzor marcat ca 1). Simbolul  se va ilumina.

Alte informatii importante pentru operarea hotei

Variante de utilizare

Utilizare in varianta filtrare-recirculare

La functionarea in aceasta varianta aerul incarcat cu fum si vapori este aspirat si returnat apoi filtrat in incapere prin orificiile proiectate in acest scop. Pentru aceasta varianta este obligatorie montarea unui filtru carbon conform Fig 6., iar la unele modele de hota –de exemplu la cele tip horn- un deflector, daca acesta se regaseste in echiparea hotei. Filtrele carbon se achizitioneaza contra cost de la Centrele de reparatii autorizate.

Utilizare in varianta evacuare in exterior

In aceasta varianta aerul este evacuat catre exterior printr-un orificiu de evacuare aflat in partea superioara a hotei; nu se va monta filtrul carbon. La orificiul de evacuare al hotei se va conecta o conducta rigida ori flexibila (preferabil) cu diametrul de 150 mm sau 120 mm cu capatul in exteriorul cladirii, cu ajutorul unor accesorii (dispozitive de prindere, jaluza exteriora etc) care trebuie achizitionate de la magazinele de instalatii. Montajul trebuie realizat de catre o persoana calificata.

Viteza ventilatorului

Vitezele mica si medie sunt folosite in cazul conditiilor normale, atunci cand exista o cantitate mica de fum si vapori; viteza maxima trebuie folosita in cazul unei cantitati mai mari de fum si vapori, de exemplu in timpul prajirii sau pregatirii gratarului.

Atentie: la hotele universale este necesara setarea manuala a variantei de utilizare, filtrare ori evacuare) prin actionarea unui levier; a se vedea Fig 8, acolo unde exista.

Atentie: la hotele incorporabile in mobilier si cele telescopice utilizate in varianta filtranta trebuie montata o conducta de evacuare a aerului, dar al carui capat se va directiona tot in incapere, prin care se va returna aerul filtrat.

Atentie: hotele suspendate functioneaza numai in varianta filtranta.

CURĂȚAREA ȘI ÎNTREȚINEREA

Întreținere

Întreținerea și curățarea regulată a dispozitivului vor asigura o funcționare bună și fără avarii a hotei și va prelungi durata de funcționare a acesteia. Trebuie să acordați o deosebită atenție ca filtrele împotriva grăsimilor și filtrul cu carbon activ să fie curățate respectiv schimbate în conformitate cu recomandările producătorului.

- Nu folosiți cârpe și bureți imbibati cu apa și nici jetul de apă.
- Nu folosiți solvenți și nici alcool, deoarece acestea pot deteriora suprafețele lăcuite.
- Nu folosiți substanțe corozive, în special pentru curățarea suprafețelor din oțel inoxidabil.
- Nu utilizați o cârpă tare, aspră
- Se recomandă folosirea unei cârpe umede și a unui detergent neutru.

Atenție: După ce filtrul de aluminiu va fi spălat de câteva ori în mașina de spălat vase culoarea acestuia se poate schimba. Culoarea schimbată nu înseamnă că, filtrul este deteriorat și nici nu trebuie schimbat.

Filtrul împotriva grăsimilor

Filtrul împotriva grăsimilor trebuie să fie curățat o dată pe lună atunci când hota funcționează normal, în mașina de spălat vase sau manual folosind un detergent delicat sau săpun lichid.

Demontarea filtrului împotriva grăsimilor este prezentată în Fig. 5.

În unele modele este folosit filtrul acrilic. Trebuie înlocuit cel puțin o dată la 2 luni sau mai des în cazul în care hota este folosită foarte intens.

Filtrul de carbon

Filtrul activ este folosit numai atunci când hota nu este conectată la conducta de evacuare în exterior. Filtrul cu carbon activ posedă capacitatea de absorbție a mirosurilor până în momentul de saturare totală. Nu poate fi spălat și nici regenerat și trebuie să fie înlocuit cel puțin o dată la 3-4 luni, sau mai des în cazul în care este folosit mai intens.

Demontajul filtrului carbon este prezentat în Fig. 6.

Sistem de iluminare

Trebuie folosite becuri / halogene / module cu diode cu aceiași parametri ca cei montați din fabricație pe dispozitiv. Înlocuirea sistemului de iluminare este prezentată pe figura 7. În cazul în care figura nu apare în acest manual, înlocuirea modulului de iluminare poate fi efectuată numai de către un centru de reparații autorizat.

GARANȚIE, SERVICII POSTVÂNZARE

Garanția

Activitățile cuprinse de garanție în conformitate cu fișa de garanție. Producătorul nu este răspunzător de eventualele prejudicii cauzate de utilizarea incorectă a produsului.

Service

- Producătorul echipamentului sugerează, ca toate reparațiile și reglaje generale să fie efectuate de către Service al producătorului sau Service autorizat al producătorului. Pentru siguranța, nu reparați singuri dispozitivul.
- Reparațiile efectuate de persoane care nu au calificările cerute pot aduce la un pericol grav pentru utilizatorul dispozitivului.
- Perioada minimă de garanție pentru dispozitivul oferit de producător, importator sau reprezentant autorizat, este indicată în cardul de garanție.
- Dispozitivul își pierde garanția ca urmare a unor adaptări neautorizate, modificări, alterarea sigiliilor sau a altor echipamente de securitate, precum și alte interferențe neautorizate în echipament care nu sunt în conformitate cu instrucțiunile de exploatare.

Solicitarea reparației și asistență în caz de defecțiune


Dacă dispozitivul necesită reparații, contactați centrul de service. Adresa serviciului și numărul de telefon de contact se află în cardul de garanție. Înainte de a contacta, trebuie să pregătiți numărul de serie al dispozitivului, care se află pe plăcuța de identificare. Pentru comoditate, scrieți-l mai jos:

--	--	--	--	--	--	--	--	--	--	--	--	--	--	--	--	--	--	--	--

Declarația producătorului

Prin prezenta, producătorul declară că, acest produs îndeplinește cerințele de bază ale directivelor europene menționate în continuare:

- **directiva cu privire la joasa tensiune 2014/35/CE**
- **directiva cu privire la compatibilitatea electromagnetică 2014/30/CE**
- **directiva 2009/125/EC**
- **directiva cu privire RoHS 2011/65/EC**

și de aceea produsul a fost marcat cu simbolul  și a fost emisă declarație de conformitate care este pusă la dispoziția organelor de supraveghere a pieței.

Tisztelt Ügyfelünk

A mai naptól kezdve az Ön mindennapi teendői egyszerűbbek lettek mint valaha. A készülék **Amica** a könnyű használat és kiváló hatékonyság rendkívüli kombinációja. A használati utasítás elolvasását követően Önnek nem okoz gondot a kezelése.

A készülék, mely elhagyta a gyárat, gondosan ellenőrizve lett a csomagolás előtt a biztonságot és funkcionalitást illetően.

Kérjük Önöket, hogy a készülék üzembe helyezése előtt figyelmesen olvassák el a használati utasítást. A használati utasításban foglaltak betartása segít megelőzni a helytelen üzemeltetést. A használati utasítást meg kell tartani és el kell rakni úgy, hogy szükség esetén kéz alatt legyen.

A balesetek elkerülése érdekében gondosan követni kell a használati utasításban foglaltakat.

Tisztelettel,

Amica

BIZTONSÁGI UTASÍTÁSOK

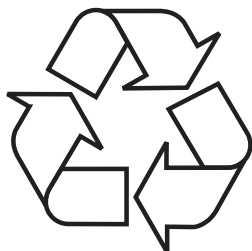
- A páraelszívót csak a jelen használati utasítás elolvasását követően lehet használni.
- A készüléket csakis háztartásbeli használatra tervezték.
- A gyártó fenntartja magának a jogot olyan újítások bevezetésére, melyek nem lesznek hatással a készülék használatára.
- A gyártó nem vállal felelősséget a készülék által okozott károkért illetve tüzesetekért, melyeket a jelen használati utasításban foglaltak be nem tartása okozott.
- A tűzhely feletti páraelszívó a konyhai gőzök elszívására használatos. Nem szabad más célra használni.
- Az elszívó üzemmódban dolgozó páraelszívót a megfelelő szellőző csatornához kell csatlakoztatni (nem szabad kéményhez, füstelvezető vagy égéstermék elvezető csatornához csatlakoztatni, amelyek használatban vannak). A páraelszívóhoz csatlakoztatni kell tömlőt, mely elvezeti a levegőt kívülre. A tömlő hossza (általában 120 mm illetve 150 mm Ø cső) nem haladhatja meg a 4-5 m-t. A légelvezető tömlő szintén szükséges a teleszkópos és a bútorba beépített, keringtető üzemmódban üzemelő páraelszívónál.
- A keringtető üzemmódban üzemelő páraelszívóknál aktív széntartalmú szűrő felszerelése szükséges. Ebben az esetben nincs szükség levegő elvezető cső felszerelésére, viszont ajánlott a levegő kivezető kémény felszerelése (csak a kéményes páraelszívóknál).

- A páraelszívó független világítással és elszívó ventilátorral rendelkezik, mely különböző sebességfokozatokra állítható.
- A készülék verziójától függően, a páraelszívót egy függőleges falra kell szerelni a gáz- illetve elektromos tűzhely fölé (kéményes és univerzális páraelszívók); a gáz- illetve elektromos tűzhely fölött lévő mennyezetre (sziget páraelszívók); egy függőleges falra a gáz- illetve elektromos tűzhely fölött, beépítve egy konyhabútorba (teleszkópos és bútorokba beépített páraelszívók). Mielőtt elkezdené a felszerelést, győződjön meg arról, hogy a fal / mennyezet szerkezete elbírja a páraelszívó súlyát. A páraelszívó néhány modellje igen nehéz.
- Az elektromos tűzhely fölötti telepítési magasság a készülék termék adatlapján található (a készülék műszaki specifikációja). Ha a gáztűzhely használati utasításában nagyobb távolságok lettek előírva, akkor ezeket kell figyelembe venni (1 rajz)
- A páraelszívó alatt tilos a nyílt láng használata. Amikor levesszük az edényt a tűzhelyről, állítsuk a lángot minimumra. Mindig ellenőrizzük, hogy a lángok nem csapnak-e a ki az edény alól, mivel ez energiaveszteséget illetve veszélyes hő koncentrációt okozhat.
- Ha olajat használunk a sütéshez a páraelszívó alatt, az üzemeltetés teljes időtartama alatt tartsa szemmel az ételt, ugyanis a túlmelegedett olaj tüzet okozhat.
- Mielőtt kicserélnénk a zsírszűrő betéteket illetve minden javítás, karbantartás előtt áramtalanítsuk a készüléket kihúzva a dugót a konnektorból.
- A zsírszűrő betéteket legalább havonta meg kell tisztítani. A zsírral szennyezett zsírszűrő betétek könnyen lángra lobbanhatnak.

- Ha a helyiségben, ahol a páraelszívó üzemel, más nem elektromos készüléket is használunk (mint pl. a olajkemence, átfolyós vízmelegítő, bojler) biztosítani kell a jó szellőzést (levegőátfolyás). A biztonságos használat akkor lehetséges, ha a páraelszívó és a többi készülék egyszerre való használatánál, ott, ahol a készülékek el vannak helyezve, a légnyomás nem haladja meg 0,004 milibart (ez a pont érvényét veszti amikor a keringtető üzemmódban használjuk a páraelszívót)
- Nem szabad a páraelszívóra támaszkodni.
- A páraelszívót gyakran meg kell tisztítani, mind kívülről, mind pedig belülről (LEGALÁBB HAVONTA EGYSZER, a jelen használati utasításban foglalt karbantartási útmutatók betartásával). A páraelszívó tisztítására és a szűrők cseréjére irányuló utasítások be nem tartása tűzveszélyt okozhat.
- Ha a csatlakozó kábel megsérül, ki kell cserélni egy erre hivatott szakszervizben.
- Biztosítani kell a készülék kikapcsolhatóságát az áramforrásból, a csatlakozó dugó kihúzása illetve a kétpólusú megszakító gomb megnyomása által.
- Ezt a készüléket nem használhatják olyan személyek (többek között gyerekek) akik csökkent fizikai, érzékszervi vagy értelmi képességűek, vagy hiányzik a megfelelő tapasztalatuk vagy a tudásuk, hacsak nem felügyeli őket egy a biztonságukért felelős személy, aki a használati utasítás alapján útmutatókkal látja el őket.
- Különösen arra kell ügyelni, hogy a felügyelet nélkül maradt gyerekek ne játszhassanak a készülékkel.
- Győződjünk meg arról, hogy a készülék belsejében található típuscímkén feltüntetett hálózati feszültség és csatlakozó értékek megegyeznek-e a lakásban található értékekkel.
- A szerelési munkálatok megkezdése előtt tekerjük ki és egyenesítsük ki a csatlakozókábelt.

- A csomagolóanyagokat (polietilén zacskók, polisztirol stb.) a kicsomagolás közben tartsuk távol a gyerekektől.
- Mielőtt a készüléket a hálózatra csatlakoztatná, mindig ellenőrizze, hogy a tápkábel megfelelően van-e telepítve, és hogy NEM szorult-e be a páraelszívó alá az összeszerelési műveleteket során. Ne csatlakoztassa a készüléket az elektromos hálózatra a telepítés befejezése előtt.
- Tilos a páraelszívó használata ha nincs rá felszerelve az alumínium zsírszűrő.
- Szigorúan tilos a páraelszívó alatt a nyílt láng használata (flambirozás).
- Az égéstermék elvezetésével kapcsolatos biztonsági és műszaki követelmények alkalmazásánál szigorúan be kell tartani az illetékes helyi hatóságok rendelkezéseit.
- A csavarok illetve egyéb rögzítő elemek nem megfelelő – vagyis a jelen használati utasítással nem egyező - meghúzása és telepítése veszélyt jelenthet az emberi egészségre és életre.
- A lelógó páraelszívók csakis keringtető üzemmódban üzemelnek.
- FIGYELEM! A csavarok és rögzítő elemeknek nem az útmutató szerinti felhelyezése áramütés-veszélyt okozhat.

KICSOMAGOLÁS



A készülék a szállítás idejére megfelelő módon be lett csomagolva a biztonság érdekében. Miután kicsomagoltuk a készüléket, a csomagolást környezetkímélő módon kell eltakarítani.

Az összes csomagolóanyag a környezet számára ártalmatlan, 100% újrahasználatos és megfelelő jelekkel van

ellátva.

Figyelem! A csomagolóanyagokat (polietilén zacskók, polisztirol stb.) a kicsomagolás közben tartsuk távol a gyerekektől.

A HASZNÁLT KÉSZÜLÉKEK ELTÁVOLÍTÁSA



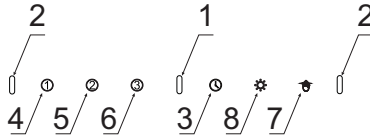
Ez a készülék el lett látva az 2012/19/EU direktívával. Ez a jelzés arról tájékoztat, hogy a készülék, miután használata befejeződött, nem kerülhet a szemétkosárba az összes többi házi hulladékkal együtt.

A felhasználó köteles az elhasznált készüléket egy elektronikus és elektromos hulladékgyűjtő pontban leadni. A hulladékgyűjtő pontok, többek között a lokális pontok, a boltok, az önkormányzati szervezetek egy rendszert alkotnak, mely lehetővé teszi a hulladék leadását. Az elektronikus és elektromos hulladékkal való megfelelő bánásmód segít megelőzni az emberi egészségre és környezetre káros mellékhatásokat, melyeket a hulladékkal való nem megfelelő bánásmód és a hulladékban található veszélyes anyagok okozhatnak.

HASZNÁLAT

Páraelszívó vezérlése

A páraelszívó irányítópanelje a 4 rajzon látható, de emlékeztetőül alább is bemutatjuk:



A készülék gesztusvezérelt szenzorokkal van felszerelve:



- 1- A világítás be- és kikapcsolásáért felelős mozgásérzékelő
- 2- A készülék sebességfokozata módosításáért felelős mozgásérzékelő

Az irányítópanel szenzorokkal van felszerelve. A funkcióikat az alábbiakban ismertetjük:

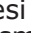


- 3- Timer szenzor (a páraelszívó késleltetett kikapcsolása)
- 4- Legalacsonyabb sebességfokozat - Ezt a sebességfokozatot kismennyiségű gőznél használja.
- 5- Közepes sebességfokozat - Ezt a sebességfokozatot közepes mennyiségű gőznél használja, pl. amikor több ételt főz egyszerre.
- 6- Legmagasabb sebességfokozat - Ezt a sebességfokozatot nagy mennyiségű gőznél használja, pl. sütés, illetve grillezés során.
- 7- A gesztus vezérlés aktiválásáért és kikapcsolásáért felelős szenzor
- 8- A világításért felelős szenzor

Miután áramtalanítva lett a készülék, a páraelszívó rövid hangjelzést ad, és minden szenzor egy pillanatig világitani fog.


A készülék turbínája bekapcsolásához érintse meg az 1,2 vagy 3 szenzort. A turbina kikapcsolása az aktív sebességfokozat szenzorjának megérintésével történik.

A világítás bekapcsolásához nyomja meg a  szenzort. A világítás bekapcsolásához nyomja meg még egyszer a  szenzort. A világítás a motortól függetlenül működik.

Timer (a páraelszívó késleltetett kikapcsolása)

Ez a funkció a páraelszívó motorjának késleltetett kikapcsolására szolgál. Ezt a funkciót a főzés befejeését követően használhatja a helyiség gőztelenítésére. A motor 15 perc elmúltával kikapcsol. A késleltetési funkció bekapcsolása céljából, érintse meg - miközben a páraelszívó bármely sebességfokozatban található - egyszeri alkalommal a  szenzort. A szenzor elkezd villogni, A késleltetési funkció bármely pillanatban történő kikapcsolásához érintse meg ismét a  szenzort, s ekkor a  szenzor abbahagyja a villogást.

Gesztusvezérlés

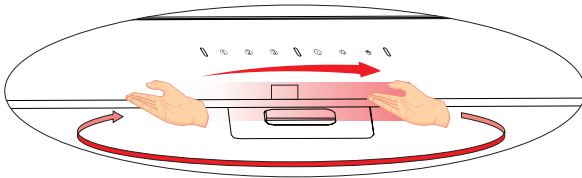
A gesztusvezérlés bekapcsolásához/kikapcsolásához érintse meg a  szenzort, a szimbólum világítani fog.

A gesztusok segítségével szabályozhatja a turbina sebességét és a világítást. Amikor a gesztusvezérlés funkció aktív, akkor a készüléket hagyományos módon is vezérelheti a megfelelő szenzorok használatával.

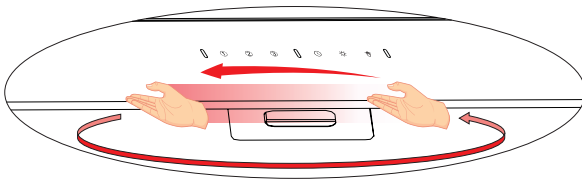
A gesztusvezérlés akkor működik jól, ha a kezelőpanel felületétől kb. 3-10 cm végez el kézmozdulatokat.

Figyelem: A turbina sebességének szabályozásakor a kézmozgásnak mindkét mozgásérzékelőt be kell fednie (4. rajz, 2. pont, vagy a kéznek a világítást vezérlő szenzoron belül mozdulatlanul kell lennie (4. rajz, 1. pont).

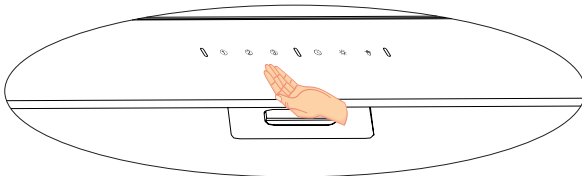
Amikor bizonyos funkciók bekapcsolása (például a 3. sebességfokozat) ismételt kézmozdulatot igényel, a visszatérő mozdulatot a vezérlőpaneltől távolabb hajtsa végre, vagy a szenzorok kihagyásával). A kézmozdulatok nem lehetnek túl gyorsak. Ideális esetben egy gesztus körülbelül 1 másodpercet vesz igénybe.




A készülék turbinájának bekapcsolásához vagy sebességének növeléséhez többszöri alkalommal mozgassa a kezét balról jobbra. Az aktív sebességfokozat szenzorja minden kézmozdulatnál világítani fog.



A készülék turbinájának kikapcsolásához vagy sebességének csökkentéséhez többszöri alkalommal mozgassa a kezét jobbról balra, amíg az 1. szenzor el nem kezd világítani. Mozdítsa el a tenyerét még egyszer, s a páraelszívó motorja teljesen kikapcsol (a gesztusvezérlés továbbra is aktív lesz).



A világítás be- illetve kikapcsolásához állítsa a kezét kb. 2 másodpercre a panel közepének közelében (az 1 számmal ellátott érzékelő alatt). A  szimbólum világítani fog.

A páraelszívó működésével kapcsolatos egyéb fontos információk

Keringtető üzemmódban való működés: Ebben az üzemmódban a szűrt levegő az erre a célra kialakított nyílásokon keresztül visszatér a helyiségbe. Ebben a beállításban egy szenszűrőt kell felszerelni, és javasoljuk a légfűvő felszerelését (a rendelkezésre állás függ a modelltől, főként kéményes páraelszívóknál kapható).

Elszívó üzemmódban való működés: Az elszívó üzemmódban történő használatnál a levegő a kültérbe van elvezetve egy speciális cső segítségével. Ennél az üzemmódnál el kell távolítani a szenszűrőt. A páraelszívó a levegő elvezető nyíláshoz egy speciális, merev vagy flexibilis 150 mm, illetve 120 mm átmérőjű cső és megfelelő rögzítő elemek segítségével van csatlakoztatva, melyeket az efféle áruk forgalmazásával foglalkozó üzletekben lehet megvásárolni. A telepítést szakképzett szakemberre kell bízni.

A ventilátor sebessége: A legalacsonyabb és a középső sebességfokozatot normális körülmények között és kisméretű gőz kibocsátásnál kell használni, míg a legnagyobb sebességfokozatot a gőzök nagy koncentrációjánál kell használni, mint pl. sütés közben, illetve grillezésnél.

Figyelem (csakis az univerzális páraelszívókra vonatkozik): Az univerzális páraelszívók szerkezete manuális üzemmód átállítást igényel. Az üzemmód megváltoztatásának módját a 8. ábra szemlélteti.

Figyelem (csak a beépíthető és teleszkópos páraelszívókra vonatkozik): A bútorba beépített és a teleszkópos páraelszívóknál keringtető üzemmódban levegő elvezető cső felszerelése szükséges. A cső másik végét a helyiségre kell irányítani, ezen keresztül áramlik majd a megszűrt levegő.

Figyelem: A felfüggesztett páraelszívók csakis elszívó üzemmódban üzemelnek.

TISZTÍTÁS ÉS KARBANTARTÁS

Karbantartás

A rendszeres karbantartás és tisztítás megfelelő és hibamentes működést, valamint hosszabb élettartamot biztosít a páraelszívónak. Különös figyelmet kell fordítani arra, hogy a zsírszűrő és az aktív szénoszűrő a gyártó utasításainak megfelelően legyen tisztítva és kerüljön kicserélésre.

- Ne használjon nedves rongyot, illetve szivacsot vagy pedig folyóvizet.
- Ne használjon oldószert, illetve alkoholt, ugyanis ezek károsíthatják a festett felületeket.
- Ne használjon maró hatású anyagokat, különösen a rozsdamentes felületek tisztítására.
- Ne használjon kemény, durva rongyot
- Tisztításnál nem invazív hatású szereket és enyhén vizes törlőkendőt ajánlatos használni.

Figyelem: Többszöri, a mosogatógépben történő tisztítást követően az alumínium szűrő színe megváltozhat. A színváltozás nem jelent meghibásodást illetve nincs szükség a szűrő kicserélésére.

Zsírszűrő

A zsírszűrőt a páraelszívó normális módon történő használatánál havonta kell tisztítani, mosogatógépben illetve kézi mosogatás által, enyhe hatású mosogatószer illetve folyékony szappan segítségével.

A zsírszűrő leszerelésének módja az 5. rajzon látható.

Néhány modellnél akril szűrő van alapfelszereltségen. Ezt legalább kéthavonta egyszer kell cserélni, illetve gyakrabban, ha a páraelszívót intenzíven használja.

Szénoszűrő

A szénoszűrőket csak akkor használjuk, amikor a páraelszívót nem csatlakoztattuk a szellőző rendszerhez. Az aktív szén tartalmú szűrő magába szívja a főzés közben keletkező szagokat, egészen amíg meg nem telik. Nem lehet a szűrőt megtisztítani illetve újrahasználni, ezért legalább 3-4 havonta kéthavonta ki kell cserélni, ha intenzíven használjuk a páraelszívót, akkor gyakrabban.

A szénoszűrő kicserélésének módját a 6. rajz mutatja.

Világítás

Csak olyan paraméterű izzókat / halogén lámpákat / diódos modulokat szabad használni, mint amilyenek a gyárilag felszereltek voltak. A világítás kicserélésének módját a 7. rajz mutatja. Ha a használati utasításban nem található az ezt bemutató rajz, akkor a világító modul cseréjét csak a szakszervizben lehet elvégezni.

GARANCIA ÉS VÁSÁRLÁS UTÁNI SZERVIZ

Garancia

Garanciális szolgáltatás a garanciajegy alapján A gyártó nem felelős a készülék helytelen használat okozta károkért.

Szerviz

- A készülék gyártója azt javasolja, hogy az összes javítási, illetve karbantartási tevékenységet a Gyári Szakszerviz illetve a Gyártó Márkaszervize végezze el. Biztonsági okokból Ön saját maga ne javítsa a készüléket.
- A nem megfelelő képesítéssel rendelkező személyek által végzett javítások súlyos veszélyt jelenthetnek az eszköz felhasználója számára.
- A gyártó, az importőr vagy a meghatalmazott forgalmazó által felkínált eszköz minimális jótállási idejét a garanciajegy tartalmazza.
- A készülék elveszíti a jótállást a készülék vagy annak részein végzett illetéktelen átalakítások, javítások, a plómbak felszakítása, valamint a készüléken történő bármely másfajta, a használati utasításnak nem megfelelő tetszőleges beavatkozás eredményeként.

Javítási igény és segítségnyújtás hiba esetén

Ha az eszköz javítását igényli, vegye fel a kapcsolatot a szervizközponttal. A szerviz címe és telefonszáma a jótállási kártyán található. Mielőtt kapcsolatba lépne, készítse elő a készülék sorozatszámát, mely az adattáblán található: A kényelem érdekében írja ide le:

--	--	--	--	--	--	--	--	--	--	--	--	--	--	--	--	--	--	--	--	--

A gyártó nyilatkozata

A gyártó ezennel kijelenti, hogy a termék megfelel a következő EU direktíváknak:

- **2014/35/EC Alacsony feszültségű direktíva**
- **2014/30/EC Elektromágneses kompatibilitás direktíva**
- **2009/125/EC**
- **RoHS 2011/65/EC**

A berendezés **CE** jelzéssel van ellátva, és megfelelőségi nyilatkozattal rendelkezik az illetékes piacfelügyeleti hatóság általi ellenőrzésre.

Уважаеми потребителю,

От днес ежедневните задължения ще бъдат по-лесни от всякога. Уредът **Amica** съчетава изключително лесно обслужване и отлична ефективност. След като прочетете инструкцията, обслужването му няма да бъде трудно.

Още в завода, преди да бъде опакован, уредът е старателно тестван за безопасност и функционалност в контролните стендове.

Моля, прочетете внимателно тази инструкция, преди да включите уреда. Спазването на посочените в нея препоръки ще Ви предпази от неправилно използване на уреда. Запазете тази инструкция и я съхранявайте така, че винаги да имате достъп до нея.

Спазвайте стриктно правилата на инструкцията за употреба, за да избегнете нещастни случаи.

С уважение

Amica

ПРЕПОРЪКИ ОТНОСНО БЕЗОПАСНОСТТА

- Преди да използвате аспиратора, трябва да се запознаете с настоящата инструкция
- Уредът е предназначен за използване само в домакинството.
- Производителят запазва правото си да въвежда промени нямащи влияние на действието на уреда.
- Производителят не носи никаква отговорност за евентуални щети или пожари, причинени от уреда, възникнали в резултат на неспазване на указанията от настоящата инструкция.
- Кухненският аспиратор е предназначен за отвеждане на парата от помещението. Не бива да се използва за други цели.
- Аспиратор, работещ в режим на отвеждане на парата, трябва да бъде присъединен към съответен вентилационен канал (не бива да се присъединява към комини и канали за отвеждане на дим или изгорели газове, които се използват). За правилната работа на аспиратора е необходим монтаж на канал, отвеждащ въздуха навън. Дължината на канала (обикновено тръба Ø 120 mm или 150 mm) не трябва да бъде по-голяма от 4-5 метра. При телескопичните и мебелните аспиратори, работещи в режим абсорбатор, също се изисква канал за отвеждане на въздуха.
- За правилната работа на аспиратор, работещ в режим абсорбиране, е необходимо инсталирането на филтър с активен въглен. В този случай не е необходимо инсталирането на отвеждащ въздуха навън канал, но се препоръчва монтаж на направляваща клапа на въздушния поток (само за коминни аспиратори).
- Аспираторът е оборудван с независимо осветление и смукателен вентилатор с възможност

за настройка на една от няколко достъпни скорости на работа.

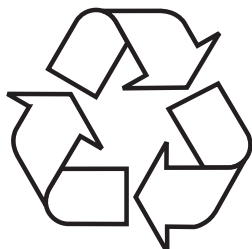
- В зависимост от версията на уреда аспираторът е предназначен за стационарен монтаж върху вертикална стена над газова или електрическа печка (коминни и универсални аспиратори); върху тавана над газова или електрическа печка (аспиратори за кухненски остров); върху вертикална стена с вграждане в кухненски шкаф над газова или електрическа печка (телескопични аспиратори и аспиратори за вграждане). Преди монтажа трябва да се уверите, дали конструкцията на стената / тавана е подходяща да издържи теглото на аспиратора. Някои от моделите аспиратори са много тежки.
- Височината на монтаж на уреда над електрически кухненски плот е посочена в картата на продукта (техническа спецификация на уреда). Ако в инструкциите за инсталиране на газовите устройства е посочено по-голямо разстояние, това условие трябва да се спази (Фиг. 1).
- Под кухненския аспиратор не бива да се оставя открит пламък. По време на снемане на съдовете от газовата горелка пламъкът трябва да е настроен на минимум. Винаги трябва да се провери, дали пламъкът не излиза извън дъното на съда, тъй като това причинява сериозни загуби на енергия и опасно кумулиране на топлина.
- Ястията, приготвяни върху мазнини трябва да бъдат под непрекъснат надзор, тъй като нагорещената мазнина може лесно да се запали.
- Преди всяко почистване, смяна на филтъра или провеждане на ремонтни дейности трябва да изключите щепсела на уреда от контакта.
- Филтърът срещу мазнини на кухненския аспиратор трябва да се почиства най-малко веднъж месечно, тъй като напоен с мазнина е лесноза-

палим.

- Ако в помещението, освен аспиратора, се използват други уреди, които не се хранят от електричество (например печки за течни горива, радиатори, водни нагреватели), трябва да осигурите съответна вентилация на помещението (приток на въздух). Безопасната експлоатация е възможна, ако при едновременната работа на аспиратора и изгарящите уреди, зависими от въздуха в помещението, в мястото на инсталирането на тези уреди стойността на подналягането не надвишава 0,004 милибара (това условие не важи, когато кухненският аспиратор се използва като абсорбатор на мизирми).
- Аспираторът не бива да се използва като подпорна повърхност от лицата, намиращи се в кухнята.
- Аспираторът трябва да се почиства често както отвън, така и отвътре (ПОНЕ ВЕДНЪЖ МЕСЕЧНО със спазване на указанията, посочени в настоящата инструкция). Неспазването на правилата за почистване на аспиратора и подмяна на филтрите може да доведе до опасност от пожар.
- В случай на увреждане на хранващия кабел трябва да го подмените в специализиран сервиз.
- Трябва да бъде осигурена възможност за изключване на уреда от хранващата мрежа чрез изваждане на щепсела или изключване на двуполюсния прекъсвач.
- Това оборудване не е предназначено за използване от лица (включително деца) с намалени физически, сетивни или умствени способности или лица без опит или познания, освен ако те са под наблюдение или са инструктирани относно използването на оборудването от лицата, отговорни за тяхната безопасност.

- Трябва да обърнете особено внимание, уредът да не се ползва от деца без надзор.
- Проверете, дали посоченото върху информационната табела на уреда напрежение е в съответствие с параметрите на местната хранваща мрежа.
- Преди монтажа развийте и изправете хранващия кабел.
- По време на разопаковане опаковъчните материали (торби от полиетилен, стиропор и т.н.) трябва да се държат далеч от деца.
- Преди включване на аспиратора към хранващата мрежа винаги трябва да проверите, дали хранващият кабел е инсталиран правилно и НЕ е смачкан от аспиратора по време на монтажните дейности. Не включвайте уреда към електрическата мрежа преди завършване на монтажа.
- Ползването на аспиратора без монтирани алуминиеви филтри срещу мазнини е забранено.
- Строго е забранено приготвянето на ястия под аспиратора с използване на открит пламък (фламбиране).
- Следва стриктно да се спазват издадените от местните власти разпоредби, отнасящи се за необходимите за прилагане технически средства и средства за безопасност в областта на отвеждането на изгорели газове.
- Недостатъчното затягане на винтовете и закрепващите елементи в съответствие с настоящата инструкция може да доведе до опасност за здравето и живота.
- Висящите аспиратори работят само в режим за абсорбиране на миризми
- **ВНИМАНИЕ!** Неинсталирането на болтовете и механизмите за фиксиране в съответствие с настоящите инструкции може да доведе до рискове от електрическо естество.

РАЗОПАКОВАНЕ



Устройството е защитено от повреди по време на транспорт. След разопаковане на устройството, моля, не забравяйте да премахнете опаковъчните материали по екологично съобразен начин.

Всички материали, използвани за опаковане, са безопасни за околната среда, 100% рециклируеми и затова са отбелязани със съответния символ.

Внимание! По време на разопаковане опаковъчните материали (торби от полиетилен, стиропор и т.н.) трябва да се държат далеч от деца.

ОБЕЗВРЕЖДАНЕ НА ИЗНОСЕНИ УРЕДИ



Това устройство е маркирано в съответствие с Европейската директива 2012/19/ЕС. Тази маркировка показва, че това оборудване, след определен период на ползване, не може да се изхвърля заедно с другите битови отпадъци.

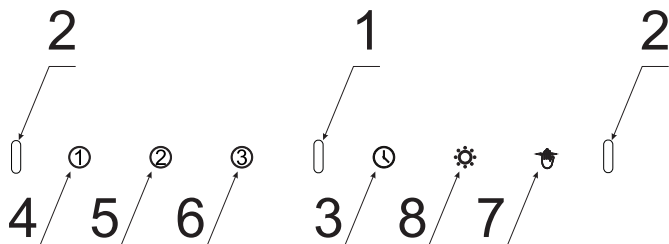
Потребителят е длъжен да го предаде там, където се събират отпадъци от електрическо и електронно оборудване. Събирателните пунктове, в това число местни пунктове за събиране, магазини или общински структури създават система, която позволява предаване на оборудването.

Подходящото третиране на отпадъците от електрическо и електронно оборудване помага за избягване на вредни за човешкото здраве и околната среда последици, произтичащи от наличието на опасни вещества, както и неправилно съхранение и обработка на такова оборудване.

ОБСЛУЖВАНЕ

Управление на абсорбатора

Панелът за управление на абсорбатора е представен върху фиг. 4, намира се също така и по-долу:



Устройството е снабдено със сензори за управление с жестове:

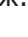
- 1- Сензор за движение, отговорен за включване / изключване на осветлението
- 2- Сензор за движение, отговорен за смяна на скоростта на устройството

Панелът за управление е оборудван със сензори. По-долу са описани техните функции:




- 3- Сензор Timer (изключване със закъснение на абсорбатора)
- 4- Най-ниска скорост - Тази скорост се използва при малко количество пара.
- 5- Средна скорост - Тази скорост се използва при средна интензивност на парата, например по време на готвене на много ястия наведнъж.
- 6- Най-висока скорост - Тази скорост се използва при най-висока интензивност на парата - например по време на пържене или печене на грил.
- 7- Сензор за активиране и деактивиране на управлението с жестове
- 8- Сензор за управление на осветлението

След свързване на устройството към електрозахранването, абсорбаторът ще издаде кратък звуков сигнал и всички сензори ще светнат за момент.


За да включите турбината на устройството, докоснете сензор 1, 2 или 3. Изключването на турбината се извършва с докосване на сензора на активната скорост.

За да включите осветлението, докоснете сензор . За да изключите осветлението, докоснете сензор  още веднъж. Осветлението функционира независимо от двигателя.

Таймер (изключване на абсорбатора със закъснение)

Тази функция е предназначена за изключване на двигателя на абсорбатора със закъснение. Използвайте тази функция след завършване на готвенето, за да почистите въздуха в помещението от изпаренията. Двигателят ще се изключи след 15 минути. За да включите функцията закъснение на изключването, трябва по време на работа на абсорбатора с произволна скорост да натиснете еднократно сензор . Сензорът ще започне да мига. За да изключите функцията за закъснение, докоснете отново сензора , тогава сензорът  ще спре да мига.

Управление с жестове

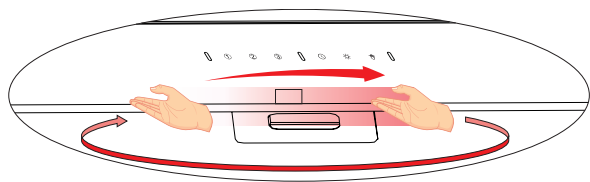
За да включите / изключите функцията управление с жестове, докоснете сензор , символът ще бъде подсветен.

С помощта на жестове можете да управлявате скоростта на турбината на абсорбатора и осветлението. Когато функцията за управление с жестове е активна, можете да управлявате устройството и по традиционен начин, като използвате съответните сензори.

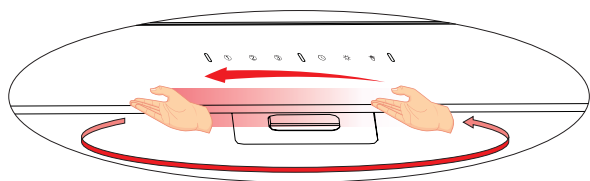
Управлението с жестове действа правилно, когато премествате ръката си на разстояние около 3-10 cm до повърхността на панела за управление.

Забележка: По време на управлението на скоростта на турбината движението на ръката трябва да обхваща и двата сензора за движение (Фигура 4, поз. 2, или ръката трябва да бъде неподвижна в зоната на сензора за управление на осветлението (Фигура 4, поз. 1).

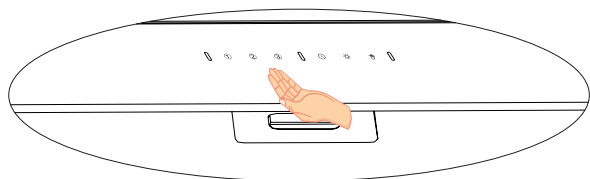
Когато включването на определена функция (например скорост 3) изисква многократно преместване на ръката, трябва да изпълните връщащото движение по-далеч от панела за управление (или така, че да избегнете сензорите). Движението на ръката не може да бъде твърде бързо. Най-добре е единичен жест да бъде с продължителност около 1 секунда.



За да включите турбината на устройството или да увеличите нейната скорост, преместете ръката си отляво надясно няколко пъти. С всяко движение на ръката ще светва сензорът на активната скорост.



За да изключите турбината на устройството или да намалите скоростта ѝ, преместете ръката си отдясно наляво няколко пъти, докато сензорът 1 светне. Преместете дланта си още веднъж, двигателят на абсорбатора ще се изключи напълно (функцията управление с жестове все още ще бъде активна)



За да включите или изключите осветлението, поставете ръката си за около 2 секунди близо до центъра на панела (под сензора с означение 1). Символът ☼ ще светне.

Други важни информации за обслужването на абсорбатора

Работа като абсорбатор: При тази опция филтрираният въздух се връща обратно в помещението посредством предвидените за това отвори. При този режим на работа трябва да монтирате въглен филтър и се препоръчва монтиране на направляващ потока на въздуха елемент (достъпен в зависимост от модела, среща се главно в абсорбаторите от коминен тип).

Работа като аспиратор: В режим за отвеждане на въздуха аспираторът отвежда въздуха навън през специален канал. При този режим на работа трябва да отстраните евентуалния въглен филтър. Аспираторът е присъединен към отвеждащия въздуха отвор с помощта на твърда или еластична тръба с диаметър 150мм или 120мм и съответни скоби за тези тръби, които трябва да се закупят в магазините за инсталационни материали. Свързването на аспиратора към отвора трябва да бъде извършено от квалифициран инсталатор.

Скорост на вентилатора Най-ниската и средната скорост се използват при нормални условия и малка интензивност на парата. Най-високата скорост да се използва само при висока интензивност на парата в кухнята, например при пържене или печене на скара.

Забележка (отнася се само за универсалните абсорбатори): Конструкцията на универсалните абсорбатори изисква ръчна смяна на режима на работа на уреда. Начинът на смяна на режима е показан върху фигура 8.

Забележка (отнася се само за вградени в мебели и телескопични аспиратори): В случай на аспираторите за вграждане в кухненски шкаф и телескопичните аспиратори, които работят в режим абсорбатор, трябва да се инсталира тръба, отвеждаща въздуха. Вторият край на тръбата трябва да насочите към помещението, през нея ще бъде отвеждан филтрирания въздух.

Забележка: Висящите аспиратори работят само в режим абсорбатор.

ПОЧИСТВАНЕ И ПОДДРЪЖКА

Поддръжка

Редовната поддръжка и почистване на уреда ще осигурят добра и безаварийна работа на аспиратора и ще удължат неговия експлоатационен живот. Трябва да се обърне особено внимание почистването и смяната на филтъра за мазнини и въгления филтър да се изпълнява съгласно препоръките на производителя.

- Да не се използват овлажнени кърпи или гъби, нито водна струя.
- Да не се използват разтворители, нито алкохол, тъй като могат да причинят матиране на лакираните повърхности.
- Да не се използват разяждащи вещества, особено за почистване на повърхности, изработени от неръждаема стомана.
- Да не се използва твърда, драскаща кърпа
- Препоръчва се използването на влажна кърпа и неутрални миещи препарати.

Забележка: След няколкократно миене в съдомиялна машина цветът на алуминиевия филтър може да се промени. Промяната на цвета не означава несъответствие и не е необходима смяна на филтъра.

Филтър за мазнини

Филтър за мазнини трябва да се почиства ежемесечно при нормална работа на аспиратора. Да се мие в съдомиялна машина или ръчно с използване на неагресивен миещ препарат или течен сапун.

Демонтажът на филтър за мазнини е показан върху фигура 5.

В някои от моделите е използван акрилен филтър. Трябва да се сменява поне веднъж на 2 месеца или по-често в случай на изключително интензивно използване.

Въглен филтър

Въгленият филтър се използва само тогава, когато аспираторът не е присъединен към вентилационен канал. Филтърът с активен въглен има способност да поглъща миризмите, докато се насити. Не е подходящ за миене, нито за регенериране и трябва да се сменява поне веднъж на 3-4 месеца или по-често в случай на изключително интензивно използване.

Демонтажът на въгления филтър е показан върху фигура 6.

Осветление

Трябва да използвате крушки / халогенни лампи / диодни модули със същите параметри, както фабрично монтираните в уреда. Начинът на смяна на осветителните тела е показан върху фигура 7. Ако в настоящата инструкция тази фигура не е показана, това означава, че осветлението може да бъде подменено само от оторизиран сервиз.

ГАРАНЦИЯ, СЛЕД ПРОДАЖБЕНО ОБСЛУЖВАНЕ

Гаранция

Гаранционна поддръжка според гаранционната карта. Производителят не отговаря за повреди и каквито и да било щети, настъпили в резултат от неправилното използване на уреда.

Сервиз

- Производителят на оборудването препоръчва всички ремонти и дейности по настройка да се извършват от Фабричния Сервиз или от Оторизиран Сервиз на Производителя. С оглед на безопасност не бива да ремонтирате уреда самостоятелно.
- Ремонти, изпълнени от неквалифицирани лица, могат да представляват сериозна опасност за потребителя на уреда.
- Минималният срок на валидност на гаранцията на уреда, предоставена от производителя, вносителя или упълномощения представител е посочен в гаранционната карта.
- Уредът губи своята гаранция в случай на извършени самостоятелни адаптации, модификации, нарушения на пломбите или на други обезопасителни средства на съоръжението или на негови части и на други своеволно въведени промени в съоръжението, които са в несъответствие с инструкцията за обслужване.

Заявка за ремонт и помощ в случай на повреда

Ако уредът изисква ремонт, трябва да се свържете със сервиз. Адресните данни на сервиза, както и телефонният номер за контакт са посочени в гаранционната карта. Преди да се свържете със сервиза, трябва да пригответе серийния номер на уреда, посочен върху информационната табелка. За Ваше удобство можете да го запишете по-долу:

--	--	--	--	--	--	--	--	--	--	--	--	--	--	--

Декларация на производителя

Производителят декларира, че продуктът отговаря на съществените изисквания на европейските директиви, изброени по-долу:

- Директива 2014/35/ЕО за ниско напрежение
- Директива 2014/30/ЕО за електромагнетична компатибилност
- Директива 2009/125/ЕО
- Директива RoHS 2011/65/ЕО

и поради това продуктът е маркиран с **CE** и му е издадена декларация за съответствие на разположение на надзорните органи на пазара.

Poštovani Klijenti,

Od danas svakodnevne obaveze će da budu jednostavnije nego ikad. Uređaj **Amica** je spoj jednostavne upotrebe i savršene efikasnosti. Posle čitanja instrukcije upotreba uređaja nije nikakav problem.

Oprema koja je izašla iz fabrike je pre pakovanja rigorozno proverena na kontrolnim tačkama sa obzirom na bezbednost i funkcionalnost.

Molimo Vas da pre pokretanja uređaja pažljivo pročitate instrukciju za upotrebu. Pridržavanje pravila iz instrukcije će da Vas zaštiti od nepravilne eksploatacije. Instrukciju sačuvati i čuvati na mestu koje je uvek pri ruci.

Za izbegavanje nesretnih slučajeva pažljivo pročitati instrukciju za upotrebu.

Sa poštovanjem

Amica

BEZBEDNOSNE NAPOMENE

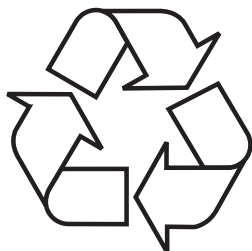
- Napu koristiti tek posle čitanja ovog uputstva
- Uređaj je namenjen isključivo za kućnu upotrebu.
- Proizvođač pridržava pravo na promene koje ne utiču na rad uređaja.
- Proizvođač ne snosi nikakvu odgovornost za potencijalne štete ili požare na uređaju zbog nepridržavanja preporuka iz ovog uputstva.
- Kuhinjska napa služi za uklanjanje kuhinjskih isparenja. Ne koristiti je u druge svrhe.
- Napu koja radi u usisnom režimu priključiti u odgovarajući kanal za ventilaciju (ne priključivati u dimnjake, kanale za dim ili sagorevanje koji su u upotrebi). Napa zahteva montažu voda za odvod vazduha. Dužina voda (najčešće cev Ø 120 mm ili 150 mm) ne bi trebala da bude veća od 4-5 m. Vod za odvod vazduha je potreban i kod teleskopskih i nameštajnih napa u režimu rada cirkulacionog vazduha.
- Napa koja radi u filter režimu zahteva instalaciju filtera sa aktivnim ugljenom. U tom slučaju nije neophodna montaža cevi za odvod vazduha napolje, preporučena je instalacija vodilice ispuštanja vazduha (samo kaminske nape).
- Napa poseduje nezavisno osvetljenje i usisni ventilator sa mogućnosti podešavanja nekoliko brzina okretaja.
- Zavisno od verzije napa je namenjena za trajnu montažu na okomitom zidu iznad gasne ili električne peći (kaminske ili univerzalne nape); na stropu iznad električne ili gasne peći (ostrvska); na okomitom zidu u nameštaju iznad gasne ili električne peći (teleskopske i ugradne nape). Pre montaže proveriti da li je konstrukcija zida/stropa dovoljno jaka da izdrži napu. Neki modeli kuhinjskih napa su jako teški.
- Visina montaže uređaja iznad električne ploče

je navedena u specifikaciji uređaja (u tehničkim podacima). Ako je u uputstvima za instalaciju gasnih uređaja navedena veća udaljenost, uzeti je u obzir (Crt.1).

- Ispod kuhinjske nape ne ostavljati otkriveni plamen, tokom skidanja posuda sa plamenika podesiti minimalni plamen. Uvek proveriti da li plamen ne izlazi ispod posude, jer to uzrokuje nepoželjne gubitke energije i opasnu koncentraciju topline.
- Jela koja su pripremana na masnoći trebamo da stalno nadziremo, jer pregrejana masnoća može da se lako zapali.
- Pre svakog čišćenja, promene filtera ili popravaka izvući utikač iz mrežne utičnice.
- Filter za masnoću za kuhinjsku napu čistiti najmanje jednom mesečno, jer je zapaljiv kad je zasićen masnoćom.
- Ako su u prostoriji osim nape korišteni neki drugi neelektrični uređaji (peći na tečna goriva, radijatori, terme) pobrinuti se za dovoljnu ventilaciju (odvod vazduha). Bezbedna upotreba je moguća kad u slučaju istovremenog rada nape i uređaja za spaljivanje, čiji rad zavisi od vazduha u prostoriji, potpritisak na mestu postavljanja tih uređaja iznosi najviše 0,004 milibara (ova napomena ne obavezuje kad je napa korištena u filter verziji).
- Kuhinjska napa se ne sme da se upotrebljava kao površina za naslanjanje osoba koje se nalaze u kuhinji.
- Napa bi trebala da bude često čišćena kako izvana, tako i iznutra (NAJMANJE JEDNOM MESECNO), pridržavajmo se napomena o održavanju navedenih u ovom uputstvu). Nepridržavanje pravila čišćenja nape i promene filtera može da stvori opasnost od požara.
- Ako se kabel za napajanje ošteti, trebali bi da ga promenimo u ovlaštenoj servisnoj tački.
- Obezbediti mogućnost isključivanja uređaja iz električne mreže, izvlačenjem utikača ili

- isključivanjem dvopolnog prekidača.
- Ovaj uređaj nije namenjen za upotrebu od strane lica (uključujući i decu) sa smanjenim fizičkim, senzornim ili mentalnim sposobnostima ili onih koji nemaju dovoljno znanja i iskustva. U slučaju da dođe do upotrebe ovog uređaja od strane navedenih lica neophodan je nadzor i davanje instrukcija osobe koja je odgovorna za njihovu bezbednost.
 - Obratite posebnu pažnju da uređaj ne koriste deca ostavljena bez nadzora.
 - Proveriti da li napon naveden na nazivnoj pločici odgovara lokalnim parametrima napajanja.
 - Pre montaže razviti i izravnati kabel za napajanje.
 - Ambalažne materijale (polietilenske kesice, komadiće stiropora itd.) prilikom uklanjanja ambalaže držati daleko od dece.
 - **PAZNJA:** pre uključivanja nape u električnu mrežu uvek proveriti da li je kabel za napajanje pravilno instaliran i da ga napa **NIJE** prignječila tokom montažnih radnji. Ne uključivati uređaj u električnu mrežu pre završetka montaže.
 - Zabranjena je upotreba nape bez namontiranih aluminijumskih filtera za masnoću.
 - Strogo se zabranjuje pripremanje hrane na otvorenom plamenu ispod kuhinjske nape. (flambiranje).
 - Što se tiče tehničkih i bezbednosnih mera koje moraju da se provode sa obzirom na izbacivanje dimova, strogo se pridržavajte propisa nadležnih lokalnih vlasti.
 - Neinstaliranje vijaka i pričvršnih elemenata u skladu sa ovim uputstvom može da bude opasno po zdravlje i život.
 - Višeće nape deluju samo u režimu cirkulacionog vazduha.
 - **PAZNJA!** Neuspešna instalacija šrafova i zatvarača u skladu s ovim uputstvama, može da rezultira opasnostima električne prirode.

UKLANJANJE PAKOVANJA



Uređaj je za vreme transporta zaštićen od oštećenja. Posle vađenja uređaja iz pakovanja molimo Vas da elemente ambalaže uklonite na način koji ne ugrožava prirodnu sredinu.

Svi materijali korišteni za ambalažu nisu štetni za prirodnu okolinu, 100% je moguća reciklaža i označeni su

odgovarajućim simbolom.

Paznja! Ambalažne materijale (polietilenske kesice, komadiće stiropora itd.) prilikom uklanjanja ambalaže držati daleko od dece.

ODLAGANJE ISTROŠENIH UREĐAJA



Ovaj uređaj je označen u skladu sa evropskom direktivom 2012/19/EU. Oznaka na proizvodu pokazuje da ovaj proizvod posle njegovog životnog veka ne može da bude biti tretiran kao ostali kućni otpad.

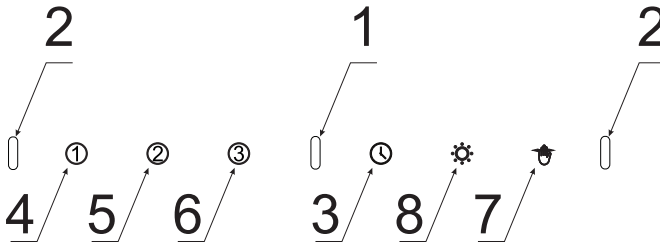
Korisnik ima obavezu da ovaj proizvod preda na odgovarajuće sabirno mesto za reciklažu potrošene električne i elektronske opreme. Institucije za prikupljanje ovakvog otpada, uključujući lokalne sabirne tačke, kupovna mesta, opštinske jedinice, sačinjavaju odgovarajući sistem koji omogućava zbrinjavanje ove opreme.

Pravilno odlaganje potrošene električne i elektronske opreme sprečava potencijalne negativne posledice za okolinu i ljudsko zdravlje koje, inače mogu da budu uzrokovane neodgovarajućim odlaganjem ovog proizvoda.

UPOTREBA

Upravljanje napom

Komandna ploča je predstavljena na crtežu 4, koji opisan i niže:



Aparat je opremljen sensorima za upravljanje pokretima:

- 1- Senzor pokreta odgovara za uključivanje / isključivanje rasvete
- 2- Senzori pokreta odgovaraju za promene brzine aparata.

Komandna ploča je opremljena sa sensorima. Njihove funkcije su opisane niže:

- 3- Senzor Tajmer (odgođeno isključivanje nape)
- 4- Najniža brzina - Ovu brzinu koristiti kod manje količine isparavanja.
- 5- Srednja brzina - Ovu brzinu koristiti kod srednje količine isparavanja, na primer tokom istovremenog kuvanja više jela.
- 6- Najviša brzina - Ovu brzinu koristiti kod najveće količine isparavanja, na primer tokom prženja ili roštilja.
- 7- Senzor za aktiviranje i deaktiviranje upravljanja pokretima.
- 8- Senzor za upravljanje rasvetom

Posle uključivanja aparata u električnu mrežu napa ispušta kratki zvučni signal i kroz kratko vreme svetle svi senzori.

Za uključenje turbine aparata dodirnuti senzore 1,2, ili 3. Turbinu isključujemo kad pritisnemo senzor aktivne brzine.

Za uključenje rasvete dodirnuti senzor ⚙️. Za isključenje rasvete još jednom dodirnuti senzor ⚙️. Rasveta deluje nezavisno od motora.

Tajmer (odgođeno isključenje nape)

Ova funkcija služi za odgađanje isključenja motora nape. Ovu funkciju koristiti posle kuvanja, za čišćenje od isparavanja vazduha u prostoriji. Motor se isključuje posle 15 minuta. Za uključenje funkcije odgađanja tokom rada nape u bilo kojoj brzini jedanput dodirnuti senzor ⌚. Senzor počinje da treperi. Za isključenje funkcije odgode u bilo kojem momentu opet dodirnuti senzor ⌚, tada prestaje da treperi senzor ⌚.

Upravljanje pokretima

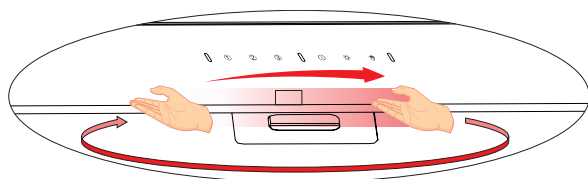
Za uključenje / isključenje funkcije upravljanja pokretima dodirnuti senzor , pali se simbol.

Pokretima možemo da upravljamo brzinom turbine nape i rasvetom. Kad je aktivna funkcija upravljanja pokretima dalje možemo da upravljamo aparatom na tradicionalni način, pritiskanjem odgovarajućih senzora.

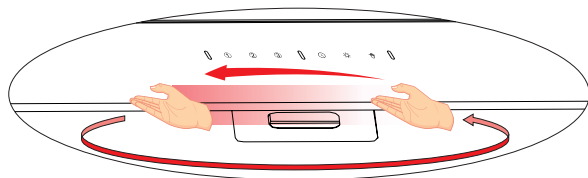
Upravljanje pokretima radi ispravno kad pomičemo dlan na udaljenosti od oko 3-10 cm od površine komandne table.

Pažnja: Kod upravljanja brzinom turbine pokret dlanom mora da obuhvati oba senzora pokreta (Crtež 4, tačka 2) ili ruka mora da bude nepokretna u zoni senzora za upravljanje rasvetom (Crtež 4, tačka 1).

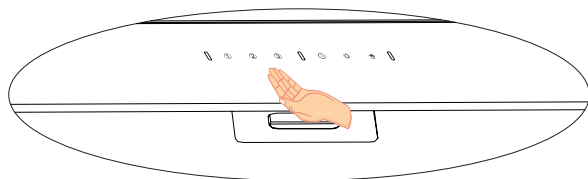
Kad uključivanje pojedine funkcije (na primer brzine 3) zahteva da više puta pomaknemo dlan, povratni pokret bi trebao da se odvija na većoj udaljenosti od komandne table ili da zaobiđe senzore. Pokreti rukom ne mogu da budu prebrzi. Najbolje je kad pojedinačni pokret traje oko 1 sekunde.




Za uključenje turbine aparata ili povećavanje njegove brzine pomaknuti dlan sa leve na desnu stranu. Posle svakog pokreta dlana pali se senzor aktivne brzine.



Za isključenje turbine aparata ili smanjenje njegove brzine nekoliko puta pomicati dlan sa desne na levu stranu, dok se ne upali senzor 1. Još jednom pomaknuti dlan, motor nape se potpuno gasi (funkcija za upravljanje pokretima je još uvek aktivna).



Za uključivanje ili isključivanje rasvete postaviti dlan oko 2 sekunde u blizini sredine table (pod senzorom koji je označen kao 1). Simbol  se pali.

Ostale važne informacije o upotrebi nape

Sistem kruženja vazduha: O ovom sistemu rada vazduh se posle filtriranja opet vraća u prostoriju kroz posebno prilagođene otvore. U ovom režimu montiramo ugljeni filter. Preporučena je i montaža vodilice ispusta vazduha (zavisno od modela, pojavljuje se kod kaminskih napa).

Sistem izbacivanja vazduha: Tokom usisnog režima rada nape vazduh je odvođen napolje specijalnim vodom. U ovoj konfiguraciji ukloniti potencijalni ugljeni filter. Napa je priključena na odvodni otvor za vazduh preko krutog ili elastičnog voda prečnika 150 mm ili 120 mm i odgovarajućih prirubnica vodova koje nabavljamo u trgovinama sa instalacionim materijalima. Priključivanje obavlja kvalifikovani instalater.

Brzina motora: Najnižu i srednju brzinu koristimo u normalnim uslovima i u slučaju male koncentracije isparenja, a najvišu koristimo samo kad je koncentracija kuhinjskih isparenja visoka, np. tokom prženja i grilanja.

Pažnja (tiče se samo univerzalnih napa): Konstrukcija univerzalnih napa zahteva ručnu promenu sistema rada nape. Način promene sistema rada je opisan na crtežu 8.

Pažnja (tiče se samo nameštajnih i teleskopskih napa): Nameštajne i teleskopske nape koje rade u režimu filtera mirisa zahtevaju montažu cevi za odvod vazduha. Drugi kraj cevi usmeriti prema prostoriji , kroz nju je dovođen filtrirani vazduh.

Pažnja: Viseće nape rade samo u režimu kruženja vazduha.

ČIŠĆENJE I ODRŽAVANJE

Održavanje

Regularno održavanje i čišćenje uređaja garantuje dobar i pouzdan rad nape i produžava njen životni vek. Posebnu pažnju obratiti da su filter za masnoću i filter sa aktivnim ugljenom čišćeni i menjani prema preporukama proizvođača.

- Ne koristiti mokre krpe, suđere niti mlaz vode.
 - Ne koristiti razređivače ni alkohol, jer mogu da zatamne lakirane površine.
 - Ne koristiti korozivne substancije, posebno prilikom čišćenja površina od nerđajućeg čelika.
 - Ne koristiti tvrde, grube krpe
 - Preporučena je upotreba vlažne krpe i neutralnih sredstava za pranje.
- Pažnja: Posle nekoliko pranja u mašini za sudove boja aluminijumskog filtera može da se promeni. Promena boje ne znači da je neispravan ili da je neophodna njegova zamena.

Filter za masnoću

Filter za masnoću čistiti najmanje jednom mesečno tokom normalnog rada nape, u mašini za sudove ili ručno pomoću delikatnog deterdženta ili tečnog sapuna.

Demontaža filtera za masnoću pokazana je na crtežu 5.

U nekim modelima je primenjen akrilni filter. Menjati ga najmanje jednom svaka 2 meseca ili češće u slučaju intenzivne upotrebe.

Ugljeni filter

Ugljeni filter se koristi samo kad je napa priključena u ventilacioni vod. Filter sa aktivnim ugljenom upija mirise dok se ne zasiti. Nije prikladan za pranje ni za regeneraciju i menjamo ga najmanje jednom svaka 3-4 meseca ili češće u slučaju intenzivne upotrebe.

Demontaža ugljenog filtera je prikazana na crtežu 6.

Osvetljenje

Koristiti sijalice / halogene / diodne module sa istim parametrima kao te koje su fabrički montirane u uređaju. Promena osvetljenja je prikazana na crtežu 7. Ako se crtež ne pojavljuje u uputstvu, promenu modula osvetljenja obavlja isključivo ovlašteni servis.

GARANCIJA, USLUGE POSLE PRODAJE

Garancija

Garantne usluge u skladu sa garantnim listom. Proizvođač ne snosi odgovornost za bilo kakvu štetu prouzrokovanu nepravilnom upotrebom proizvoda.

Servis

- Proizvođač sugerira da sve popravke i regulacione delatnosti obavlja Fabricki Servis ili Ovlašteni Servis proizvođača. Iz bezbednosnih razloga samostalno ne popravljati uređaj.
- Popravke koje obavljaju osobe bez odgovarajućih kvalifikacija mogu da uzrokuju ozbiljnu opasnost po korisnika uređaja.
- Minimalni period garancije za aparat, koji nudi proizvođač, uvoznik ili ovlašteni predstavnik, je naveden u garantnom listu.
- Aparat gubi garanciju u slučaju samovoljnih promena ili prepravki, skidanja plombi ili druge zaštite sa aparata ili njegovih delova, ili drugog samovoljnog uplitanja u konstrukciju aparata koje nije u skladu sa uputstvima za upotrebu.

Prijavljivanje popravke i pomoć u slučaju kvara


Ako aparat zahteva popravku, stupite u kontakt sa servisom. Adresni podaci i kontaktni broj telefona nalaze se u garantnom listu. Pre stupanja u kontakt, pripremite serijski broj aparata koji se nalazi na nazivnoj pločici. Prepisite ga niže kako biste ga imali pri ruci:

--	--	--	--	--	--	--	--	--	--	--	--	--	--	--	--	--	--	--	--

Izjava proizvođača

Proizvođač nižim izjavljuje da ovaj proizvod ispunjava osnovne uslove niže navedenih evropskih direktiva:

- **niskonaponske direktive 2014/35/UE**
- **direktive elektromagnetske kompatibilnosti 2014/30/UE**
- **direktive ekodizajna 2009/125/UE**
- **direktive RoHS 2011/65/UE**

i zato je proizvod označen  i poseduje deklaraciju usklađenosti koja je predočavana organima za nadzor tržišta.

Cher Client

À partir d'aujourd'hui les tâches quotidiennes deviennent encore plus faciles. Cet appareil **Amica** combine une facilité d'utilisation exceptionnelle à une efficacité parfaite. Après la lecture du mode d'emploi, l'utilisation de l'appareil ne vous posera aucun problème.

La sécurité et la fonctionnalité de l'équipement sorti d'usine ont été soigneusement vérifiées sur les postes de contrôle avant son emballage.

Prière de lire attentivement le mode d'emploi avant la mise en fonctionnement de l'appareil. Respecter ses indications vous protégera contre toute utilisation incorrecte. Garder le mode d'emploi dans un endroit accessible.

Respecter les instructions de ce mode d'emploi afin d'éviter des accidents.

Respectueusement

Amica

INDICATIONS CONCERNANT LA SÉCURITÉ D'UTILISATION

- La hotte ne doit être utilisée qu'après avoir pris connaissance de la présente notice d'utilisation
- L'appareil n'est destiné qu' à l'usage dans un cadre domestique.
- Le fabricant se garde le droit d'introduire des modifications n'ayant pas d'influence sur l'exploitation générale de l'appareil.
- Le fabricant décline toute responsabilité en cas de dommages ou d'incendies provoqués par l'appareil du fait de non-respect des dispositions contenues dans la présente notice d'utilisation.
- La hotte aspirante est destinée à évacuer les vapeurs de cuisson. Elle ne doit pas être utilisée à d'autres fins.
- L'air ne doit pas être déchargé dans un conduit utilisé pour l'épuisement de vapeur d'appareils à gaz ou autres combustibles. La hotte nécessite l'installation d'un conduit d'évacuation de l'air donnant sur l'extérieur. La longueur de la conduite (le plus souvent un tuyau de Ø 120 mm ou 150 mm) ne doit pas dépasser 4-5 m. La conduite d'évacuation de l'air est également nécessaire pour les hottes télescopiques et les hottes encastrables en mode d'absorption.
- La hotte en mode de recyclage nécessite l'installation d'un filtre à charbon actif. Dans ce cas de figure, il n'est pas nécessaire d'installer un conduit d'évacuation de l'air à l'extérieur, par contre, il est préconisé de monter un déflecteur d'air (présent principalement dans les hottes cheminées).
- La hotte est dotée d'un éclairage indépendant et d'un ventilateur d'extraction offrant la possibilité de régler plusieurs vitesses de rotation.

- En fonction de la version de l'appareil, la hotte est prévue à être fixée à une cloison verticale au-dessus de la table de cuisson à gaz ou électrique (hottes de cheminée ou universelles) ; au plafond au-dessus de la table de cuisson à gaz ou électrique (hottes îlot) ; sur une cloison verticale des meubles hauts de cuisine au-dessus de la table de cuisson à gaz ou électrique (hottes télescopiques et encastrables). Avant de procéder au montage, assurez-vous que la construction du mur / plafond est adaptée à soutenir la hotte. Certains modèles de hottes ont une masse importante.
- La hauteur de montage de l'appareil au-dessus de la plaque électrique est indiquée sur la fiche technique de l'appareil (spécifications techniques). Dans le cas où les instructions de montage pour les tables de cuisson au gaz spécifieraient une distance plus grande, celle-ci doit être prise en compte (Fig. 1).
- Il est interdit de laisser un feu ouvert sous la hotte de cuisine, en enlevant le récipient de cuisson, régler une petite flamme. Vérifiez toujours si la flamme ne dépasse pas le bord du récipient de cuisson, ceci entraîne des pertes d'énergie et une concentration de la chaleur indésirables.
- Les fritures effectuées sous la hotte doivent faire l'objet d'une surveillance constante, les graisses portées à très haute température peuvent s'enflammer.
- Débrancher l'appareil de la prise de courant avant toute opération de nettoyage, de remplacement du filtre ou d'entretien.
- Le filtre à graisse de la hotte doit être nettoyé au moins une fois par mois, car saturé de graisse, il pourra facilement prendre feu.
- Une ventilation convenable de la pièce doit être prévue (amenée de l'air), lorsque la hotte de cui-

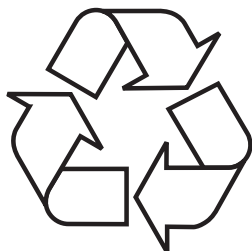
sine est utilisée simultanément avec des appareils alimentés par une source d'énergie différente de l'énergie électrique (p.ex. combustibles liquides, chaudières, chauffe-eau). En cas d'utilisation simultanée de la hotte et de foyers dépendant de l'air ambiant se trouvant dans la pièce, une exploitation sans danger est possible en respectant une dépression de 0,004 mbar au maximum à l'endroit d'installation de tels appareils (cette consigne n'est pas applicable lorsque la hotte aspirante est utilisée en version de recyclage).

- La hotte ne doit pas servir d'un plan d'appui pour les personnes se trouvant dans la cuisine.
- La hotte doit être souvent nettoyer à l'extérieur et à l'intérieur (AU MOINS UNE FOIS PAR MOIS, en suivant les consignes relatives à l'entretien indiquées dans le présent mode d'emploi). Il y a un risque d'incendie si le nettoyage n'est pas apporté selon les instructions.
- Si le câble d'alimentation est endommagé, il doit être remplacé par le fabricant, son service après vente ou des personnes de qualification similaire afin d'éviter un danger.
- Il est nécessaire d'assurer la possibilité de débrancher l'appareil du secteur en retirant la fiche de la prise de courant ou en déclenchant l'interrupteur bipolaire
- Cet appareil peut être utilisé par des enfants âgés d'au moins 8 ans et par des personnes ayant des capacités physiques, sensorielles ou mentales réduites ou dénuées d'expérience ou de connaissance, s'ils (si elles) sont correctement surveillé(e)s ou si des instructions relatives à l'utilisation de l'appareil en toute sécurité leur ont été données et si les risques encourus ont été appréhendés.
- Les enfants ne doivent pas jouer avec l'appareil.
- Le nettoyage et l'entretien par l'utilisateur ne doivent

pas être effectués par des enfants sans surveillance

- Vérifiez si la tension indiquée sur la plaque signalétique correspond aux paramètres de la section locale du secteur.
- Avant le montage, dérouler et redresser le cordon d'alimentation.
- Lors du déballage, garder les matériaux d'emballage (petits sacs polyéthylène, morceaux de polystyrène, etc.) hors de portée des enfants.
- Avant de brancher la hotte au réseau électrique, assurez-vous toujours que le cordon d'alimentation a été correctement installé et qu'il N'A PAS été écrasé par la hotte lors des opérations de montage. Ne pas brancher l'appareil à l'alimentation électrique avant la fin du montage.
- Il est interdit d'utiliser la hotte sans filtres à graisse en aluminium.
- Il est formellement interdit de flamber des aliments sous la hotte.
- En ce qui concerne les mesures techniques et celles en matière de sécurité nécessaires pour l'évacuation des fumées, respectez impérativement les normes et la législation en vigueur émises par les autorités locales compétentes.
- Le serrage trop faible des vis et des éléments de fixation par rapport aux instructions applicables présente des risques pour la santé et la vie humaine.
- Les hottes suspendues fonctionnent uniquement en mode d'absorption des odeurs
- **ATTENTION !** Ne pas suivre les instructions pour l'installation des vis ou dispositifs de fixation peut entraîner des dangers électriques.

DÉBALLAGE



Pour son transport, l'appareil a été emballé afin de le protéger contre les endommagements. Après déballage de l'appareil, prière d'éliminer les éléments de l'emballage d'une façon non nuisible à l'environnement.

Tous les matériaux utilisés pour l'emballage sont inoffensifs pour l'environnement et recyclables à 100% (ils sont marqués par un symbole approprié)

Attention! Lors du déballage, garder les matériaux d'emballage (petits sacs polyéthylène, morceaux de polystyrène, etc.) hors de portée des enfants.

ÉLIMINATION DES APPAREILS USAGÉS



Cet appareil est marqué par le symbole du conteneur à déchets, rayé, conformément à la Directive Européenne 2012/19/CE. Ce symbole signale que le produit, après sa période d'utilisation, ne pourra pas être éliminé avec d'autres déchets ménagers.

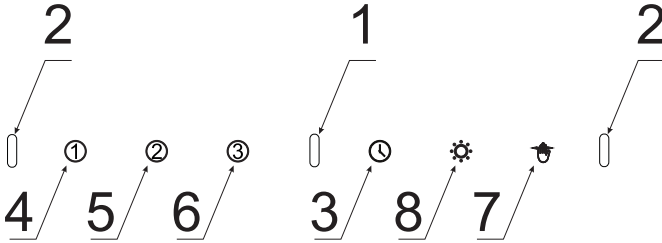
L'utilisateur est obligé de le rendre à un point de collecte des appareils électriques et électroniques usagés. De tels points de collecte sont mis en place par les communes, certains magasins et entreprises de ramassage des déchets.

Respecter les règles d'élimination des appareils électriques et électroniques permet d'éviter des conséquences nuisibles à la santé humaine et à l'environnement naturel, à cause de la possibilité de présence de constituants dangereux ou de transformations inappropriées à ce type d'appareil.

UTILISATION

Commande de la hotte

Le panneau de commande de la hotte est présenté sur le dessin 4, pour rappel, il est également présenté ci-dessous :



L'appareil est équipé d'un détecteur de mouvements :

- 1- Détecteur de mouvements responsable pour l'allumage / l'extinction de l'éclairage
- 2- Détecteur de mouvements responsable pour le changement de vitesse de l'appareil

Le panneau de commande dispose de touches sensibles. Leurs fonctions sont décrites ci-dessous :




- 3- Touche sensible Timer (départ différé de la hotte)
- 4- Vitesse inférieure - Utiliser cette vitesse pour une petite quantité de fumée.
- 5- Vitesse moyenne - Utiliser cette vitesse pour une quantité de fumée moyenne, par exemple lors de la cuisson de plusieurs plats en même temps.
- 6- Vitesse supérieure - Utiliser cette vitesse pour la plus grande quantité de fumée, par exemple lors de la friture ou de la grillade.
- 7- Touche sensible d'activation et de désactivation de la commande par gestes
- 8- Touche sensible de commande de l'éclairage

Une fois l'appareil branché à l'alimentation, la hotte émet un court signal sonore et toutes les touches sensibles s'allument un court instant.


Pour allumer la turbine de l'appareil, appuyer sur la touche sensible 1, 2 ou 3. L'extinction de la turbine se fait par une pression sur la touche sensible de la vitesse active.

Pour allumer l'éclairage, appuyer sur la touche sensible ⚙️. Pour éteindre l'éclairage, appuyer de nouveau sur la touche sensible ⚙️. L'éclairage fonctionne indépendamment du moteur.

Minuterie (arrêt différé de la hotte)

Cette fonction permet l'arrêt différé du moteur de la hotte. Utiliser cette fonction après la cuisson, pour aérer la pièce et évacuer les fumées. Le moteur s'arrête après 15 minutes. Pour activer la fonction de l'arrêt différé, appuyer sur la touche  une fois, lors du fonctionnement de la hotte. La touche sensitive commence à clignoter. Pour désactiver la fonction de départ différé, appuyer à tout moment sur la touche sensitive , la touche sensitive  s'arrêtera alors de clignoter.

Commande par les gestes

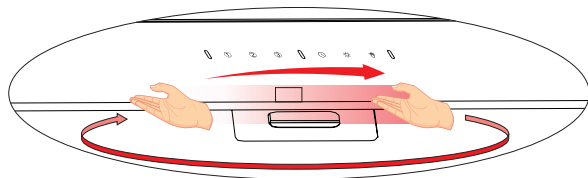
Pour activer / désactiver la fonction de commande par les gestes, appuyer sur la touche sensitive , le symbole s'éclaire.

À l'aide des gestes, vous pouvez commander la vitesse de la turbine de la hotte et l'éclairage. Lorsque la fonction de commande par les gestes est activée, vous pouvez toujours utiliser les touches sensibles.

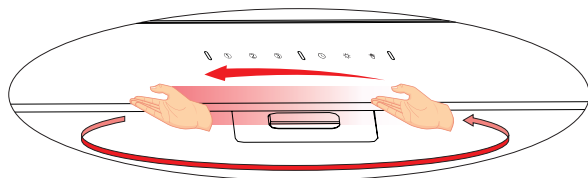
La commande par les gestes fonctionne correctement lorsque vous effectuez les gestes à une distance d'environ 3-10 cm de la surface du panneau de commande.

Attention : Pour la commande de la turbine, le mouvement de la main doit se faire par rapport aux deux détecteurs de mouvements (Dessin 4, pos. 2) ou la main doit rester immobile dans le champ du détecteur de commande de l'éclairage (Dessin 4, pos. 1).

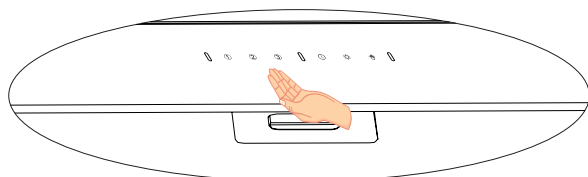
Si l'activation d'une fonction donnée (par exemple de la vitesse 3) nécessite plusieurs gestes de la main, le mouvement de retour doit se faire à une plus grande distance du panneau de commande ou hors de portée des détecteurs). Les gestes ne peuvent pas être trop rapides. Un simple geste de la main devrait durer environ 1 seconde.




Pour allumer la turbine de l'appareil ou augmenter la vitesse, passez votre main de gauche à droite plusieurs fois. A chaque mouvement de la main, la touche sensitive de la vitesse active s'éclaire.



Pour éteindre la turbine de l'appareil ou réduire la vitesse, passez votre main de droite à gauche plusieurs fois, jusqu'à ce que la touche sensitive 1 s'éclaire. Faites encore un mouvement de votre main, le moteur de la hotte s'éteint complètement (la fonction de commande par les gestes reste active)



Pour allumer ou éteindre l'éclairage, placez votre main pour environ 2 secondes au milieu du panneau de commande (sous le détecteur marqué comme 1). Le symbole  s'éclaire.

Autres informations importantes relatives à l'utilisation de la hotte

Fonctionnement en mode recyclage: Dans ce mode de fonctionnement, l'air filtré retourne dans la pièce par les orifices prévus à cet effet. Ce réglage nécessite le montage d'un filtre à charbon et d'un élément d'orientation de l'air (disponibilité selon les modèles, présent principalement dans les hottes cheminées).

Fonctionnement en mode évacuation: Lors du fonctionnement en mode évacuation, l'air est sorti vers l'extérieur à travers un conduit d'évacuation spécial. Pour une utilisation sur ce mode, retirez le filtre à charbon s'il y en a. La hotte est raccordée à une bouche d'évacuation de l'air vers l'extérieur à travers un tuyau rigide ou flexible d'un diamètre de 150 ou 120 mm et des colliers de serrage appropriés que vous pouvez acquérir dans un magasin spécialisé. Le raccordement doit être confié à un technicien qualifié.

Vitesses du ventilateur : Les vitesses minimale et moyenne sont utilisées en conditions normales et à des intensités faibles de vapeurs, par contre la vitesse maximale ne doit être utilisée qu'en cas de vapeurs de cuisson intenses, p.ex. les fritures ou grillades.

Remarque (uniquement pour les hottes universelles) : La construction des hottes universelles nécessite un changement manuel du mode de fonctionnement. La méthode de changement du mode est présentée sur le dessin 8. Si le dessin n'est pas présent dans le présent mode d'emploi, cette hotte n'est pas concernée par cette remarque.

Remarque (uniquement pour les hottes encastrables et télescopiques) : Les hottes encastrables et télescopiques fonctionnant en mode recyclage nécessitent l'installation d'un tuyau d'évacuation de l'air. L'autre bout du tuyau doit être orienté vers la cuisine, l'air filtré sera amené par ce bout.

Attention : Les hottes suspendues (ou îlot) fonctionnent uniquement en mode recyclage.

NETTOYAGE ET ENTRETIEN

Entretien

Un entretien et un nettoyage réguliers de l'appareil garantiront le bon fonctionnement de la hotte et prolongeront sa durée de vie. Apportez un soin particulier au nettoyage et au remplacement du filtre à graisse et du filtre à charbon actif conformément aux prescriptions du fabricant.

- N'utilisez ni chiffons ni éponges mouillés ni jets d'eau.
- N'utilisez ni solvants, ni alcool car ils peuvent ternir les surfaces peintes.
- N'utilisez pas de substances caustiques, en particulier pour le nettoyage des surfaces en acier inoxydable.
- N'utilisez pas de chiffons durs, abrasifs
- Il est préconisé de vous servir d'un chiffon humide et de nettoyeurs neutres.

Filtre à graisse

En cas de fonctionnement normal de la hotte, le filtre à graisse doit être nettoyé tous les mois, au lave-vaisselle ou manuellement avec du détergent ou du savon liquide doux.

Le démontage du filtre à graisse est présenté sur la figure 5.

Attention: Après plusieurs lavages au lave-vaisselle, la couleur du filtre en aluminium pourra changer. Le changement de la couleur n'indique pas une anomalie ou la nécessité de son remplacement.

Pour certains modèles de hottes, des filtres acryliques sont installés. Remplacez le filtre au moins tous les 2 mois ou plus fréquemment en cas d'utilisation particulièrement intensive.

Filtre à charbon

Le filtre à charbon ne peut être utilisé que lorsque la hotte n'est pas raccordée au conduit de ventilation. Le filtre à charbon actif est capable d'absorber des odeurs de cuisson jusqu'à saturation. Le filtre n'est ni lavable ni régénérable et il doit être remplacé au moins tous les 3-4 mois ou plus fréquemment en cas d'utilisation particulièrement intensive.

Le démontage du filtre à charbon est présenté sur la figure 6.

Éclairage

Utilisez des ampoules / lampes halogènes / modules à diodes dont les paramètres sont identiques à ceux des lampes installés en usine. Le remplacement des lampes est présenté sur la figure 7. Si le dessin n'est pas présent dans le présent mode d'emploi, le module d'éclairage doit être remplacé uniquement par un service agréé.

GARANTIE, SERVICE APRÈS-VENTE

Garantie

Service de garantie selon la carte de garantie. Le fabricant n'est responsable d'aucun dommage provoqué par une utilisation inappropriée du produit.

Service

- Le fabricant suggère de faire réaliser toute réparation et tout réglage par le Service Interventions ou un centre agréé du fabricant. Pour des raisons de sécurité, il est interdit de réparer vous-même l'appareil.
- Les réparations réalisées par des personnes sans les compétences exigées peuvent constituer un grave danger pour les utilisateurs de l'appareil.
- La période minimale de la garantie sur l'appareil, offerte par le fabricant, l'importateur ou le distributeur agréé est indiquée sur la carte de garantie.
- L'appareil perd sa garantie suite à des transformations, des adaptations, la rupture des scellés ou de tout autre dispositif de sécurité ou de leurs éléments ainsi que suite à toute intervention qui n'est pas conforme aux consignes du mode d'emploi.

Demande de réparation et soutien en cas de défaillance

Si l'appareil nécessite une réparation, contactez le service. Les coordonnées du service et le numéro de contact sont indiqués sur la carte de garantie. Avant tout contact, veuillez préparer le numéro de série de l'appareil que vous pouvez trouver sur la plaque signalétique. Pour faciliter les choses, veuillez le recopier ci-dessous :

--	--	--	--	--	--	--	--	--	--	--	--	--	--	--

Déclaration du fabricant

Par la présente le fabricant déclare que le produit est conforme à toutes les principales dispositions exigées par les directives de la communauté Européenne:

- **directive Basse Tension 2014/35/CE**
- **directive Compatibilité électromagnétique 2014/30/CE**
- **directive 2009/125/CE**
- **directive RoHS 2011/65/CE**

et c'est pour cela que le produit est désigné par le symbol **CE** ainsi qu'une déclaration de la conformité accessible aux organes chargés de la surveillance du marché a été délivrée.

Štovani Klijenti

Od danas svakodnevne obveze nikad nisu bile jednostavnije. Uređaj **Amica** je spoj iznimno jednostavnog rukovanja i savršene učinkovitosti. Uporaba je jednostavna nakon čitanja uputa.

Oprema koja je izašla iz tvornice je prije pakiranja rigorozno provjerena na kontrolnim točkama na području sigurnosti i funkcionalnosti.

Molimo Vas da prije pokretanja uređaja pažljivo pročitate upute za uporabu. Pridržavanje pravila iz uputa štiti Vas od nepravilne eksploatacije. Upute sačuvati i čuvati na mjestu koje je uvijek pri ruci.

Pozorno pročitati upute za uporabu da bismo izbjegli nezgode.

Sa štovanjem

Amica

SIGURNOSNE NAPOMENE

- Napu koristiti tek nakon čitanja uputa za uporabu.
- Uređaj je namijenjen isključivo za kućansku uporabu.
- Proizvođač pridržava pravo na promjene koje ne utječu na rad uređaja.
- Proizvođač ne snosi nikakvu odgovornost za potencijalne štete ili požare koje je prouzrokovao uređaj zbog nepridržavanja uputa za uporabu.
- Kuhinjske nape služe za odvođenje onečišćenog zraka, pare i dima iz kuhinje. Ne koristiti u druge svrhe.
- Napu u usisnoj verziji priključiti u odgovarajući kanal za ventilaciju (napu se ne smije priključiti na dimnjake kotlova, kamina, odvoda koji služe za odvod dima nastalog uslijed sagorijevanja. Napa zahtijeva montažu ispušne cijevi za zrak. Dužina voda (najčešće cijev \varnothing 120 mm ili 150 mm) ne bi trebala prekoračiti 4-5 m. Crijevo za odvod zraka je neophodno i kod teleskopskih i ugradbenih napa s režimom recirkulacije zraka.
- Napa u verziji s cirkuliranjem zraka zahtijeva instalaciju filtera s aktivnim ugljenom. U tom slučaju nije neophodna montaža cijevi koja odvodi zrak u vanjsku ventilaciju, preporučena je instalacija poklopca usmjeravanje zraka (samo kaminske nape).
- Napa posjeduje neovisnu rasvjetu i usisni ventilator s mogućnosti podešavanja nekoliko brzina okretaja.
- Ovisno o verziji napa je namijenjena za trajnu montažu na okomitom zidu iznad plinskog ili električnog štednjaka (kaminske ili univerzalne nape); na stropu iznad električnog ili plinskog štednjaka (otočna); na okomitom zidu u namještaju iznad plinskog ili električnog štednjaka (teleskopske i ugradne nape). Prije montaže provjeriti da li je

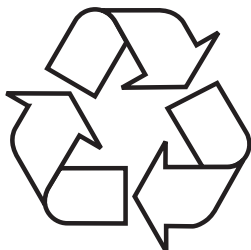
konstrukcija zida/stropa dovoljno jaka da izdrži napu. Neki modeli kuhinjskih napa su jako teški.

- Visina montaže uređaja iznad električne ploče je navedena u specifikaciji uređaja (u tehničkim podacima). Ako je u uputama za instalaciju plinskih uređaja navedena veća udaljenost, uzeti u obzir veći razmak (Crt.1).
- Ispod kuhinjske nape ne ostavljati otkriveni plamen, tijekom skidanja posuda s plamenika podesiti minimalni plamen. Uvijek provjeriti da li plamen ne izlazi ispod posude, jer to uzrokuje nepoželjne gubitke energije i opasnu koncentraciju topline.
- Jela koja su pripremana na masnoći stalno nadzirati, jer se pregrijana masnoća može lako upaliti.
- Prije svakog čišćenja, promjene filtera ili popravka izvući utikač iz mrežne utičnice.
- Filter za masnoću čistiti najmanje jednom mjesečno, jer je zapaljiv kad je zasićen masnoćom.
- Ako su u prostoriji osim nape korišteni neki drugi neelektrični uređaji (peći na tekuća goriva, radijatori, terme) pobrinuti se za dovoljnu ventilaciju (dovod zraka). Ako napu koristite u istovremeno s uređajima koji se ne napajaju električnom energijom, podtlak u prostoriji ne smije prelaziti 0,004 mbar, čime se sprječava da napa povuče ispusne plinove natrag u prostoriju. (ova napomena ne obvezuje kad je napa korištena u filter verziji).
- Na kuhinjsku napu se ne mogu naslanjati osobe koje se nalaze u kuhinji.
- Napa treba često čistiti kako izvana, tako i iznutra (**NAJMANJE JEDNOM MJESEČNO**), pridržavati se napomena o održavanju navedenih u ovim uputama). Nepridržavanje pravila čišćenja nape i promjene filtera može stvoriti opasnost od požara.
- Ako se kabel za napajanje ošteti, promijeniti ga na ovlaštenom servisnom mjestu.
- Mora postojati mogućnost isključivanja uređaja iz

električne mreže, izvlačenjem utikača ili isključivanjem dvopolnog prekidača.

- Ovaj uređaj ne mogu koristiti osobe (uključujući djecu) smanjenih tjelesnih, osjetilnih i mentalnih mogućnosti ili osobe koje ne raspolažu znanjem ili iskustvom, ako nisu su pod nadzorom odrasle osobe koja je odgovorna za njihovu sigurnost.
- Posebno paziti da uređaj ne koriste djeca ostavljena bez nadzora.
- Provjeriti odgovara li napon električne mreže podacima navedenim na natpisnoj pločici.
- Prije montaže razviti i izravnati kabel za napajanje.
- Elemente pakiranja (polietilenske vrećice, komadići stiropora itd.) prilikom uklanjanja ambalaže držati daleko od djece.
- Prije priključivanja nape na električnu mrežu uvijek provjeriti da li je kabel za napajanje pravilno instaliran i da ga NISMO prignječili napom tijekom montaže. Ne uključivati uređaj u električnu mrežu prije završetka montaže.
- Zabranjena je uporaba nape bez montiranih aluminijskih filtera za masnoću.
- Strogo je zabranjeno pripremanje hrane na otvorenom plamenu ispod kuhinjske nape (flambiranje).
- Što se tiče tehničkih i sigurnosnih mjera za odvodnju dima, strogo se pridržavati lokalnih propisa.
- Vijke pričvrstiti i montirati pričvrstne elemente u skladu s uputama za uporabu. U suprotnom napa može opasna po zdravlje i život.
- Viseće nape djeluju samo u recirkulacijskom režimu
- **PAŽNJA!** Neuspješna instalacija vijaka i zatvarača u skladu s ovim uputama, može rezultirati opasnostima električne naravi.

UKLANJANJE PAKIRANJA



Uređaj je za vrijeme transporta zaštićen od oštećenja. Nakon vađenja uređaja iz pakiranja molimo Vas da elemente ambalaže uklonite na način koji ne ugrožava okoliš.

Svi materijali korišteni za pakiranje nisu štetni za okoliš, 100% materijala je prikladno za recikliranje, stoga su

označeni odgovarajućim simbolom.

Pozor! Elemente pakiranja (polietilenske vrećice, komadići stiropora itd.) prilikom uklanjanja ambalaže držati daleko od djece.

ZBRINJAVANJE POTROŠENIH UREĐAJA



Ovaj uređaj je označen u skladu s europskom uredbom 2012/19/EU. Oznaka na proizvodu pokazuje da ovaj proizvod nakon njegovog životnog vijeka ne može biti tretiran kao obični kućanski otpad.

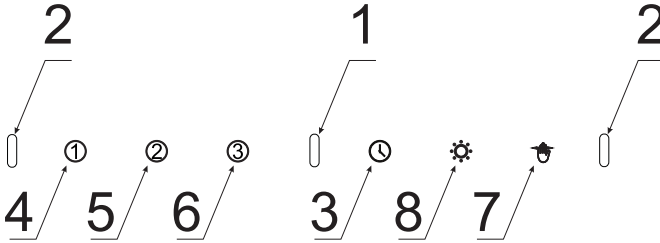
Korisnik ima obvezu ovaj proizvod predati na odgovarajuće sabirno mjesto za recikliranje potrošene električne i elektroničke opreme. Ustanove za prikupljanje ovakvog otpada, uključujući lokalne sabirne točke, kupovna mjesta, općinske jedinice, stvaraju odgovarajući sustav koji omogućava zbrinjavanje ovakve opreme.

Pravilno odlaganje potrošene električne i elektroničke opreme sprečava potencijalne negativne posljedice za okoliš i ljudsko zdravlje, koje inače mogu biti uzrokovane neodgovarajućim odlaganjem i preradom ovog proizvoda.

UPORABA

Upravljanje napom

Upravljačka ploča nape je predstavljena na crtežu 4, koji se također nalazi niže:



Uređaj je opremljen sensorima kojima upravljamo pokretom:

- 1- Sensor pokreta odgovoran za uključivanje / isključivanje osvjetljenja
- 2- Sensori pokreta odgovorni za promjene brzine uređaja

Upravljačka ploča je opremljena sensorima. Njihove funkcije su opisane niže:

- 3- Sensor Timer (odgoda isključenja nape)
- 4- Najniža brzina- Ovu brzinu koristiti kod male količine isparenja.
- 5- Srednja brzina - Ovu brzinu koristiti kod srednje količine isparenja, na primjer tijekom istovremenog kuhanja više jela.
- 6- Najviša brzina - Ovu brzinu koristiti kod najveće količine isparenja, na primjer tijekom prženja ili grilanja.
- 7- Sensor aktiviranja i deaktiviranja upravljanja pokretima
- 8- Sensor upravljanja osvjetljenjem

Kad uređaj priključimo na električnu mrežu, napa ispušta kratki zvučni signal i na trenutak se pale svi senzori.

Za uključenje turbine uređaja pritisnuti senzor 1,2 ili 3. Isključenje turbine slijedi nakon dodirivanja senzora aktivne brzine.

Za paljenje osvjetljenja dodirnuti senzor ⚙️. Za gašenje osvjetljenja još jednom dodirnuti senzor ⚙️. Osvjetljenje djeluje neovisno od motora.

Timer (odgoda isključenja nape)

Ta funkcija služi za odgađanje isključenja motora nape. Funkciju koristiti nakon kuhanja, za čišćenje zraka od isparenja u prostoriji. Isključenje motora slijedi nakon 15 minuta. Za isključivanje funkcije odgode tijekom rada nape u bilo kojoj brzini jedanput dodirnuti senzor ⌚. Senzor počinje treperiti. Za isključenje funkcije odgode u bilo kojem trenutku dodirnuti opet senzor ⌚ i prestaje treperiti senzor ⌚.

Upravljanje pokretima

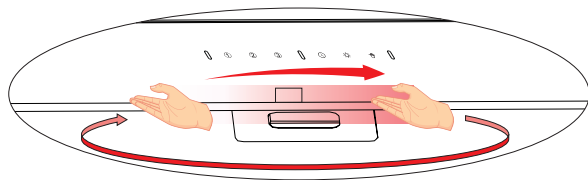
Za uključenje / isključenje funkcije upravljanja pokretima dodirnuti senzor , pali se simbol.

Pokretima možemo upravljati brzinom turbine i osvjetljenjem. Kad je aktivna funkcija upravljanja pokretima, uređajem i dalje možemo upravljati na tradicionalni način, uporabom odgovarajućih senzora.

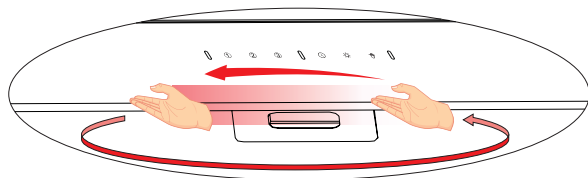
Upravljanje pokretima djeluje pravilno kad obavljamo pokret rukom na udaljenosti 3-10 cm od površine upravljačke ploče.

Pozor: Tijekom upravljanja brzinom turbine pokret dlana mora obuhvatiti oba senzora pokreta (Crtež 4, točka 2, ili ruka mora biti nepokretna u okviru djelovanja senzora upravljanja osvjetljenjem (Crtež 4, točka 1).

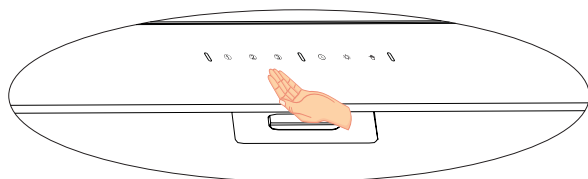
Kad uključivanje određene funkcije (na primjer brzine 3) zahtijeva višekratne pokrete rukom, povratni pokret obaviti u većoj udaljenosti od upravljačke ploče ili tako da se izbjegnu senzori. Pokreti dlana ne mogu biti prebrzi. Najbolje da pojedini pokreti traju oko 1 sekunde.




Za uključivanje turbine uređaja ili povećavanje brzine nekoliko puta pomaknuti dlanom s lijeve na desnu stranu. Svaki put kad pomaknete dlan, pali se senzor aktivne brzine.



Za isključivanje turbine uređaja ili smanjivanje brzine nekoliko puta pomaknuti dlanom s desne na slijevu stranu dok se ne upali senzor 1. Još jednom pomaknuti dlanom, motor nape se potpuno isključuje (funkcija upravljanja pokretima je i dalje aktivna).



Za uključivanje ili isključivanje osvjetljenja postaviti dlan oko 2 sekunde u okolici sredine ploče (ispod senzora označenog kao 1). Simbol  se pali.

Ostale važne informacije o uporabi nape

Recirkulacijski režim: U ovoj opciji rada filtrirani zrak se opet vraća u prostoriju kroz prilagođene otvore. U ovom režimu treba montirati ugljeni filter i preporučena je montaža usmjerivača odvoda zraka (ovisno o modelu, pojavljuje se uglavnom u napama s dimnjakom).

Odzračni režim: U usisnoj verziji nape zrak je odvođen napolje specijalnim vodom. Izvadite ugljeni filter ako je u napi. Napa je priključena na otvor vanjskog ventilacijskog odvoda preko čvrste ili savitljive cijevi promjera 150 ili 120 mm i odgovarajućih obujmica za cijevi, koje treba kupiti u prodavaonicama s instalacijskim materijalima. Priključivanje obavlja kvalificirani instalater.

Brzine ventilatora Najnižu i srednju brzinu koristiti u normalnim uvjetima male koncentracije isparenja, a najvišu koristimo samo kad je koncentracija kuhinjskih isparenja visoka, np. tijekom prženja i grilanja.

Pozor (tiče se samo univerzalnih napa): Konstrukcija univerzalnih napa zahtijeva ručno mijenjanje režima rada nape. Način promjene tog režima je prikazan na crtežu 8.

Pozor (tiče se samo ugradbenih i teleskopskih napa): Ugradbene i teleskopske nape koje rade u cirkulacijskoj verziji zahtijevaju montažu cijevi za odvod zraka. Drugi kraj cijevi usmjeriti prema prostoriji, kroz cijev je odvođen filtrirani zrak.

Pozor: Viseće nape rade samo u recirkulacijskom režimu.

ČIŠĆENJE I ODRŽAVANJE

Održavanje

Redovito održavanje i čišćenje uređaja jamči dobar i pouzdan rad nape i produžava njezin životni vijek. Posebno paziti da filter za masnoću i filter s aktivnim ugljenom čistimo i mijenjamo u skladu s preporukama proizvođača.

- Ne koristiti krpe namočene u vodi, spužve niti mlaz vode.
- Ne koristiti razrjeđivače niti alkohol, jer mogu zatamniti lakirane površine.
- Ne koristiti korozivne tvari, posebno tijekom čišćenja površina od nehrđajućeg čelika.
- Ne koristiti tvrde, hrapave krpe
- Preporučena je uporaba vlažne krpe i neutralnih sredstava za pranje.

Pozor: Nakon nekoliko pranja u perilici za posuđe boja aluminijskog filtera može se promijeniti. Promjena boje ne znači da je uređaj neispravan ili da je neophodna njegova zamjena.

Filter protiv masnoće

Filter za masnoću čistiti najmanje jednom mjesečno kod normalnog rada nape; u perilici za posuđe ili ručno pomoću delikatnog deterdženta ili tekućeg sapuna.

Demontaža filtera za masnoću pokazana je na crtežu 5.

U nekim modelima je primijenjen akrilni filter. Moramo ga mijenjati maksimalno svaka 2 mjeseca ili češće u slučaju intenzivne uporabe.

Ugljeni filter

Ugljeni filter se koristi samo kad je napa nije priključena u ventilacijsku cijev. Filter s aktivnim ugljenom upija mirise dok se ne zasiti. Nije prikladan za pranje niti za regeneraciju i mijenjamo ga najmanje jednom svaka 3-4 mjeseca ili češće u slučaju intenzivne uporabe.

Demontaža ugljenog filtera je prikazana na crtežu 6.

Rasvjeta

Koristiti žarulje/ halogene / diodne module s istim parametrima kao te koje su tvornički montirane u uređaju. Zamjena žarulje je prikazana na crtežu 7. Ako se crtež ne pojavljuje u uputama, promjenu modula rasvjete obavlja isključivo ovlašteni servis.

JAMSTVO, POSLIJEPRODAJNE AKTIVNOSTI

Jamstvo

Jamstvene usluge u skladu s jamstvenim listom. Proizvođač ne snosi odgovornost za bilo kakvu štetu prouzrokovanu nepravilnom uporabom proizvoda.

Servis

- Proizvođač sugerira da sve popravke i regulacijske djelatnosti obavlja Tvornički Servis ili Ovlašteni Servis proizvođača. Iz sigurnosnih razloga samostalno ne popravljati uređaj.
- Popravci koje obavljaju osobe bez odgovarajućih kvalifikacija uzrokuju ozbiljnu opasnost za korisnika uređaja.
- Minimalno razdoblje jamstva za uređaj, koji nudi proizvođač, uvoznik ili ovlašteni predstavnik, navedeno je u jamstvenom listu.
- Uređaj gubi jamstvo u slučaju samovoljnih promjena ili prepravaka, skidanja plombi ili druge zaštite s uređaja ili njegovih dijelova, ili drugog samovoljnog uplitanja u konstrukciju uređaja koje nije u skladu s uputama za uporabu.

Prijavljivanje popravka i pomoć u slučaju kvara


Ako uređaj zahtijeva popravak, kontaktirati servis. Adresni podaci i kontaktni broj telefona nalaze se u jamstvenom listu. Prije stupanja u kontakt, pripremite serijski broj uređaja koji se nalazi na natpisnoj pločici. Prepišite ga nize kako biste ga imali pri ruci:

--	--	--	--	--	--	--	--	--	--	--	--	--	--	--	--	--	--	--	--

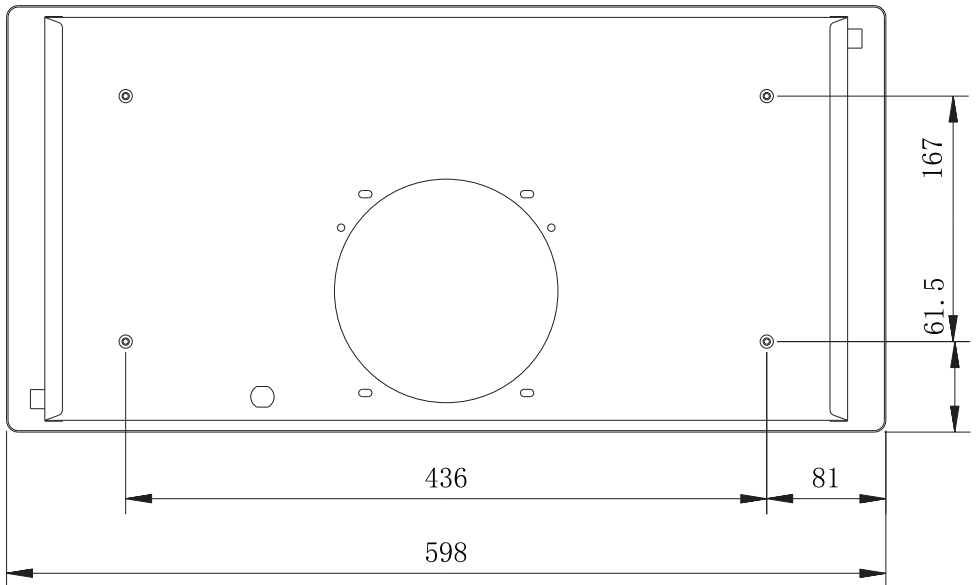
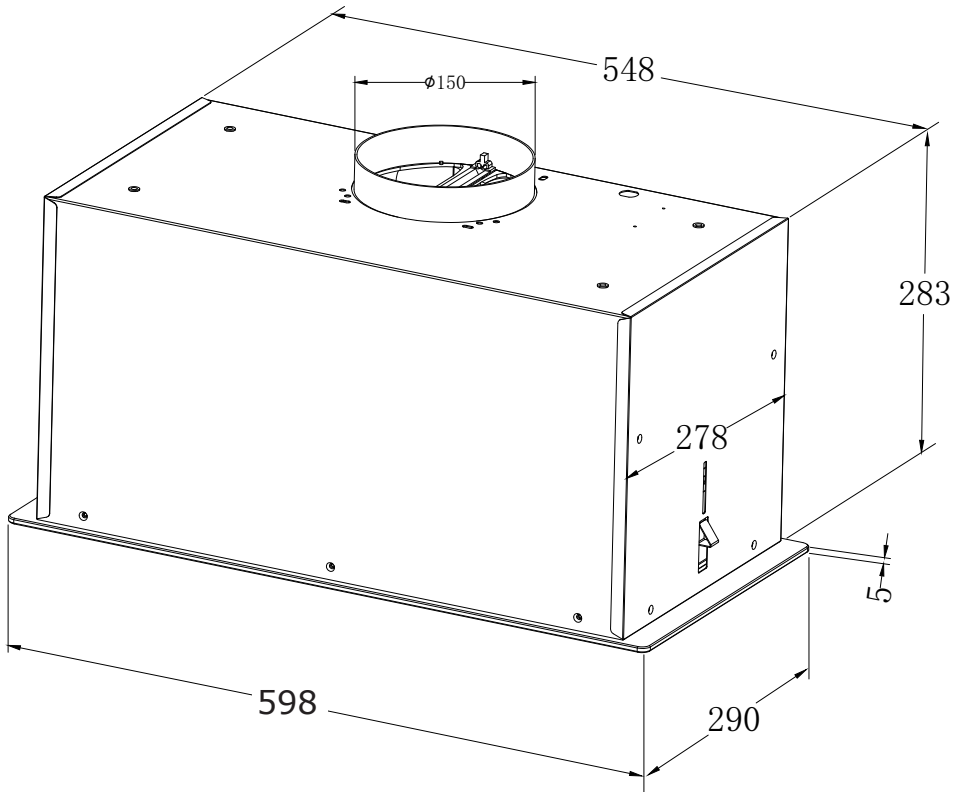
Izjava proizvođača

Proizvođač nižim izjavljuje da ovaj proizvod ispunjava osnovne uvjete niže navedenih europskih uredbi:

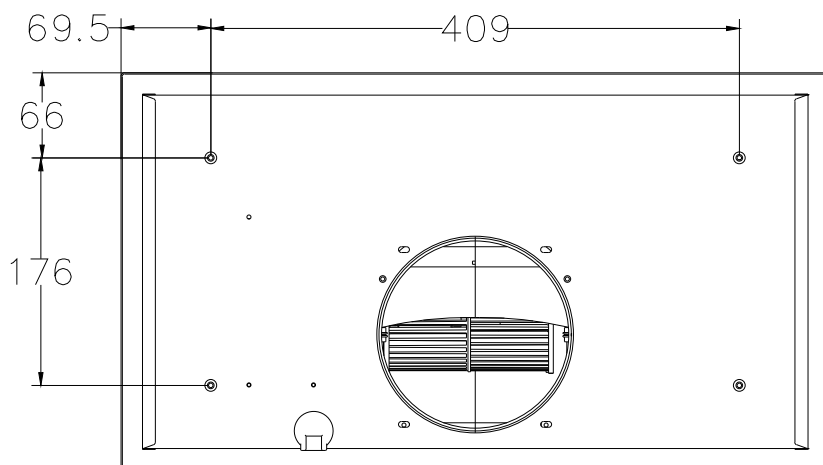
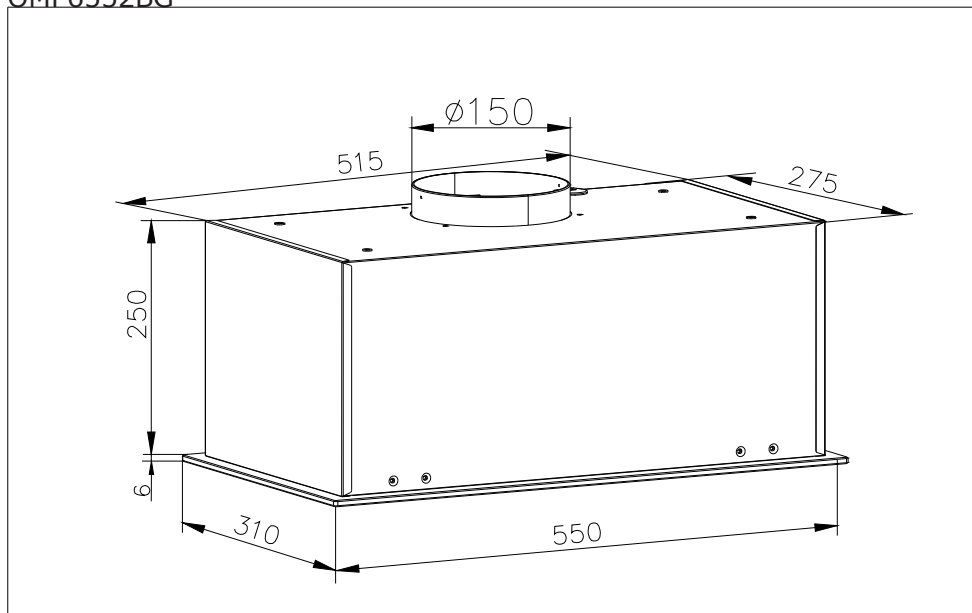
- niskonaponske uredbe 2014/35/UE
- uredbe elektromagnetne kompatibilnosti 2014/30/UE
- uredbe ekodizajna 2009/125/EC
- uredbe RoHS 2011/65/EC

i zato je proizvod označen  te je izdana izjava o sukladnosti koja je dostupna ustanovama za nadzor tržišta.

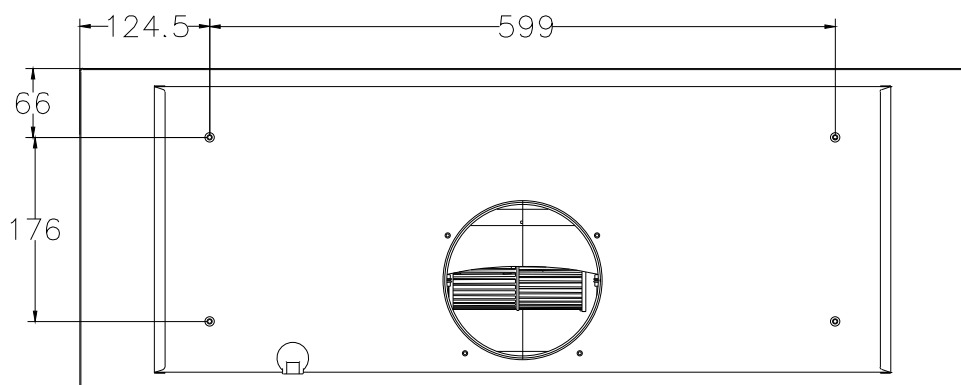
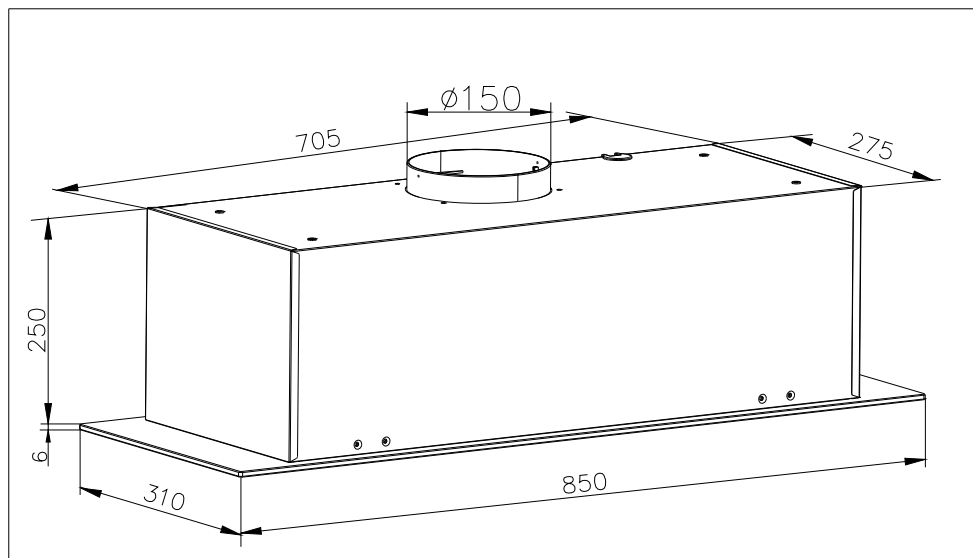
OMP6555BG



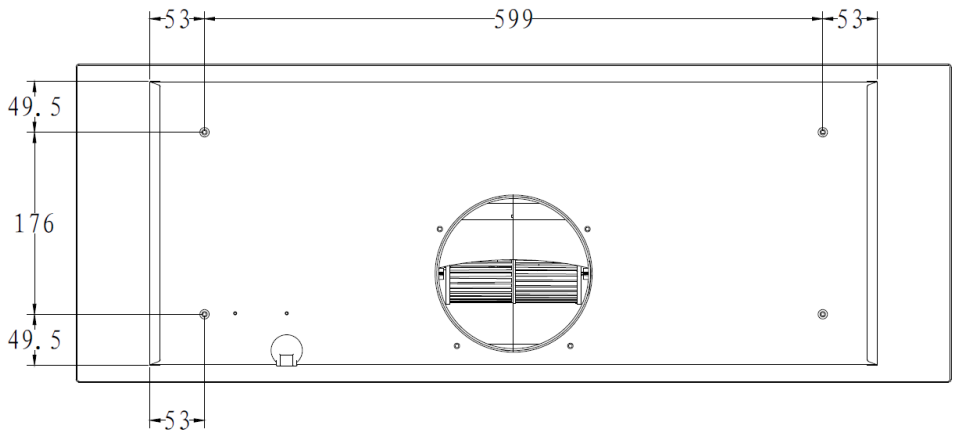
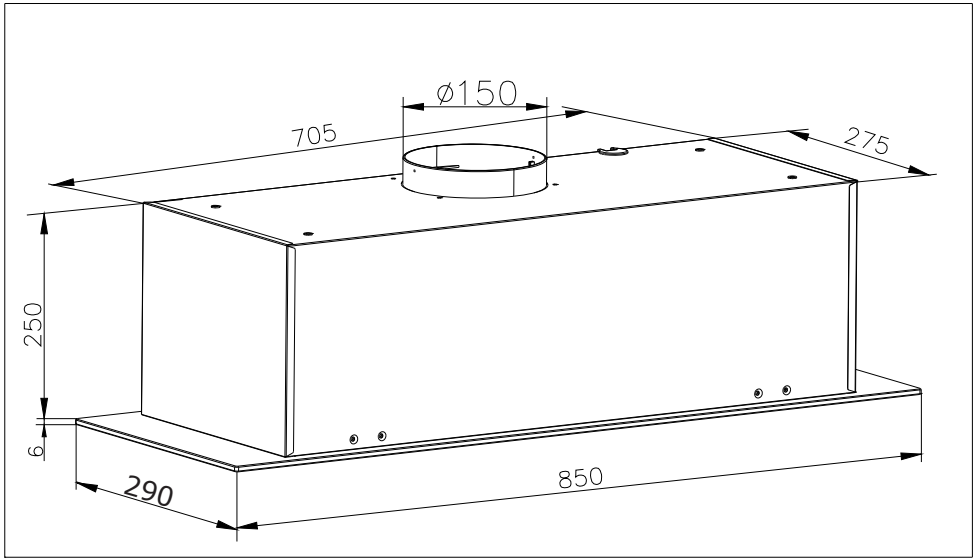
OMP6552BG

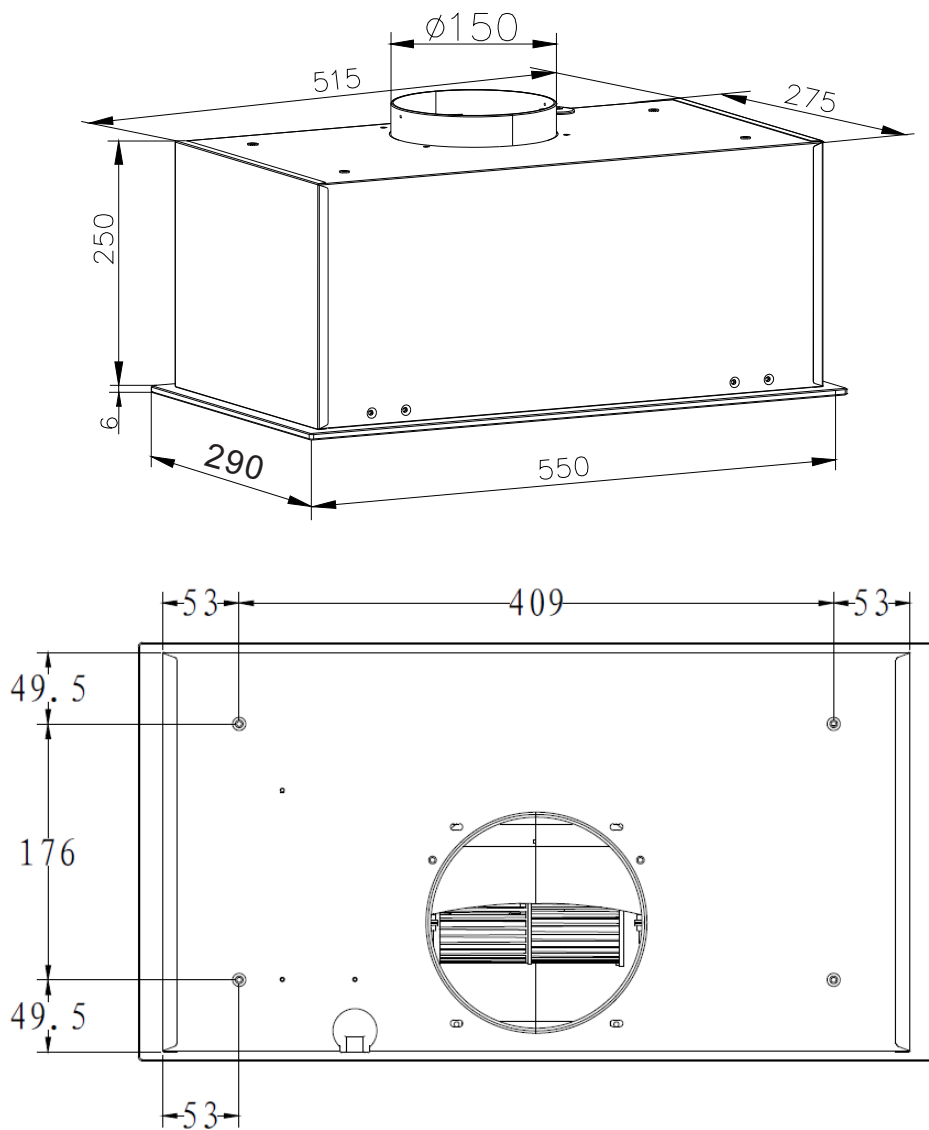


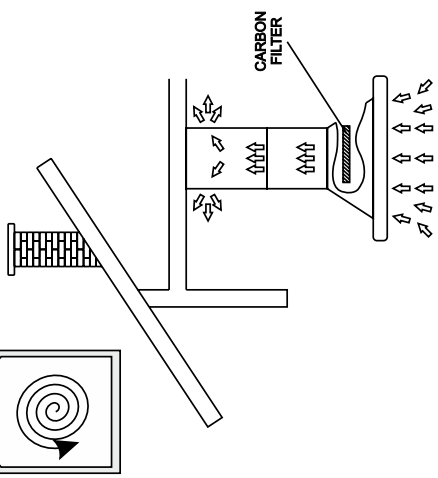
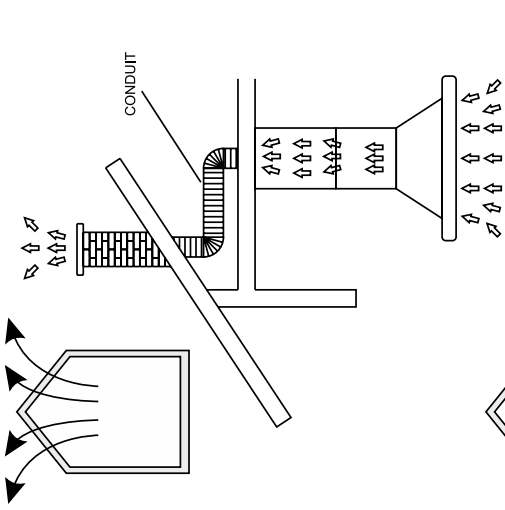
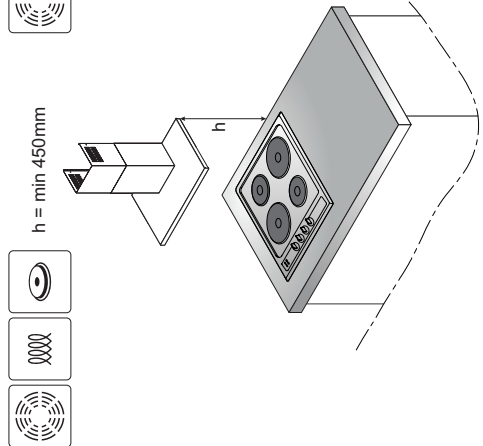
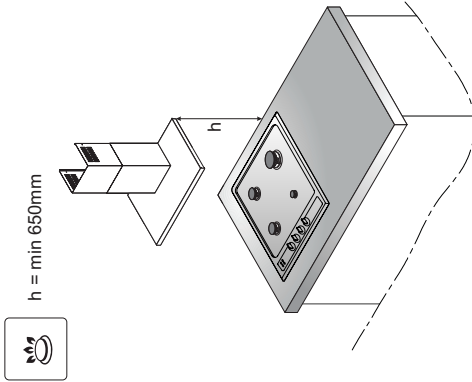
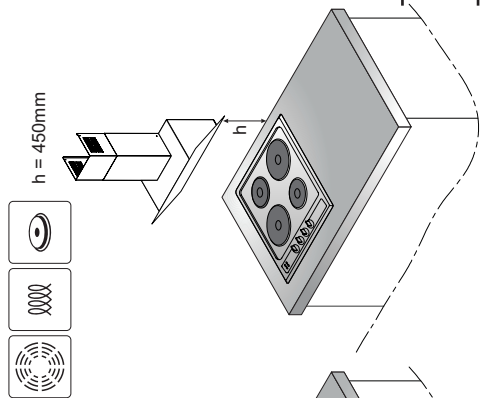
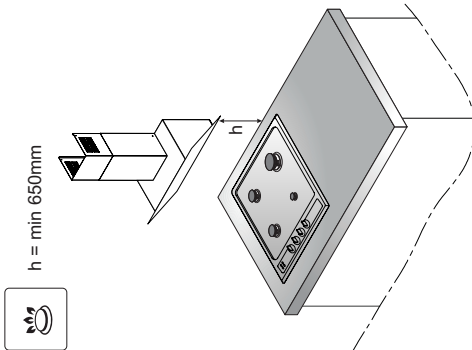
OMP9552BG

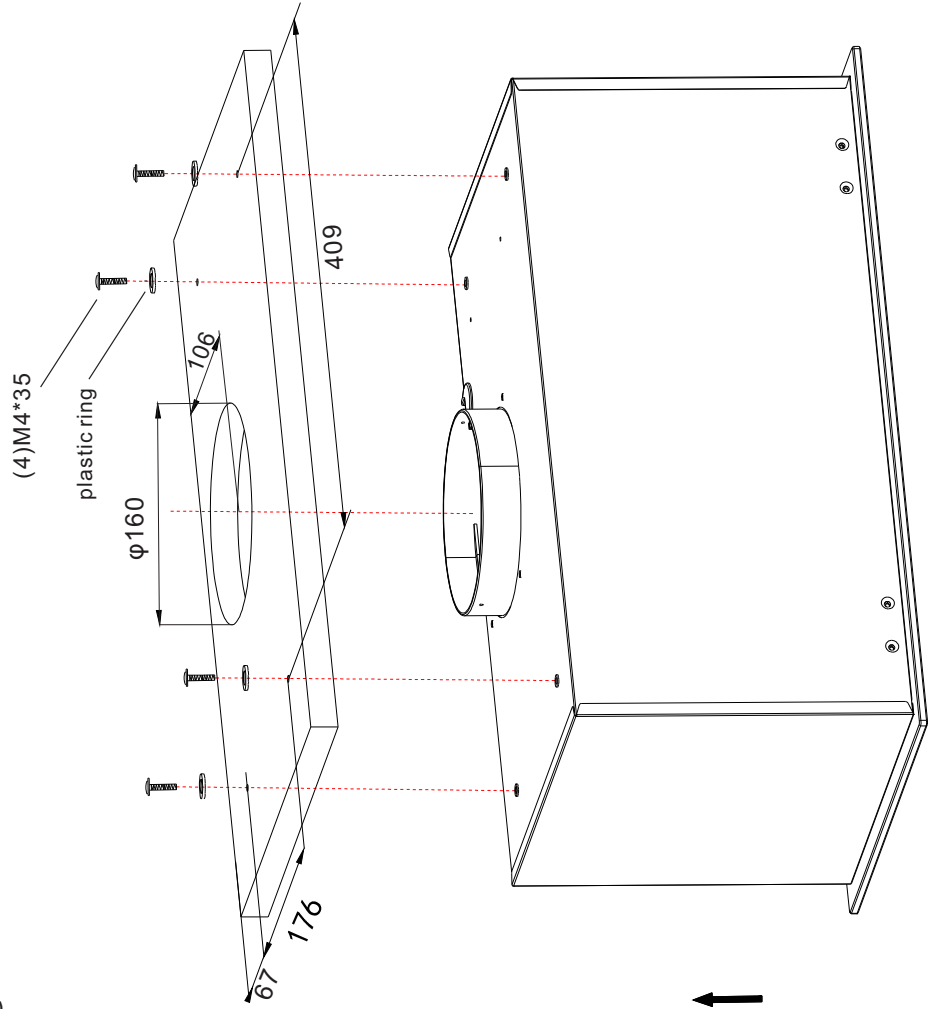


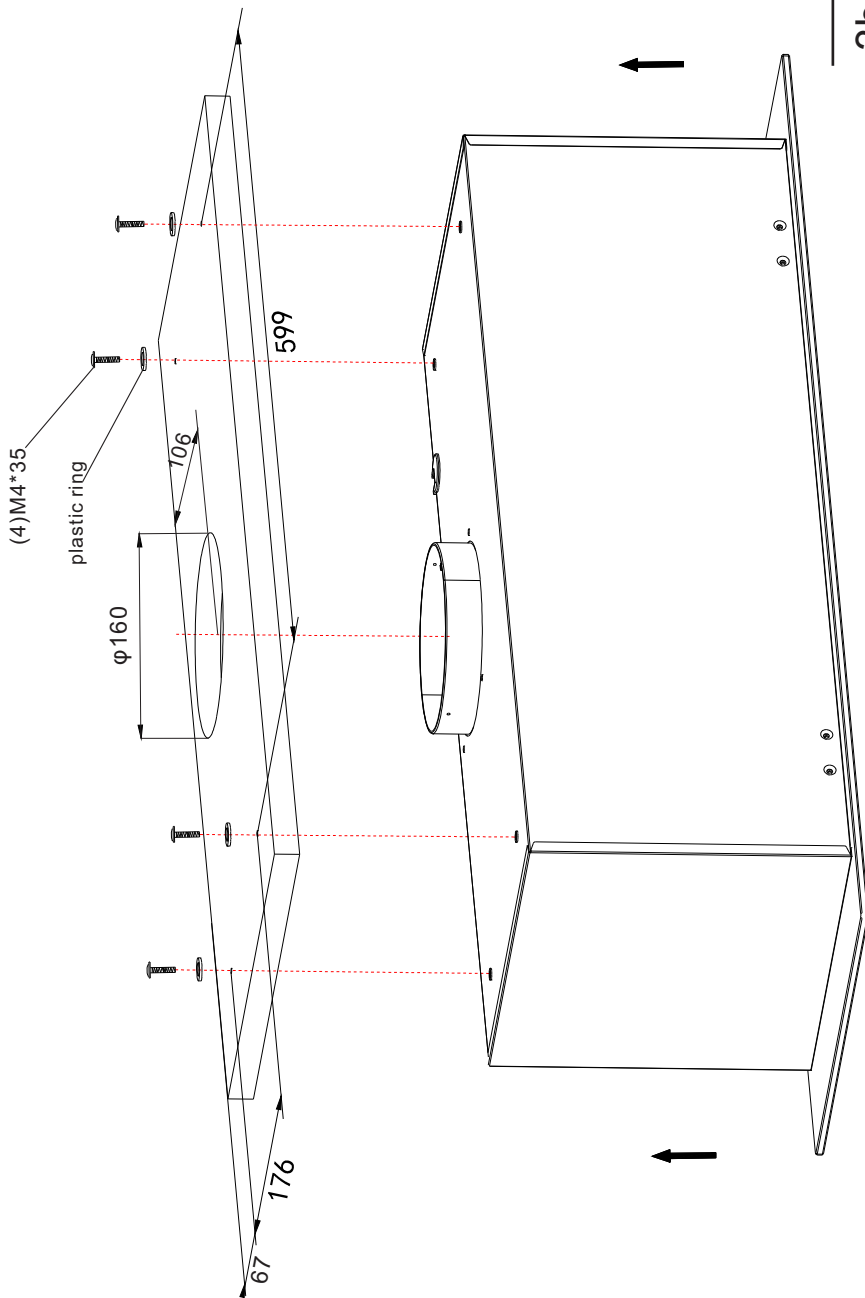
OMP9554BG

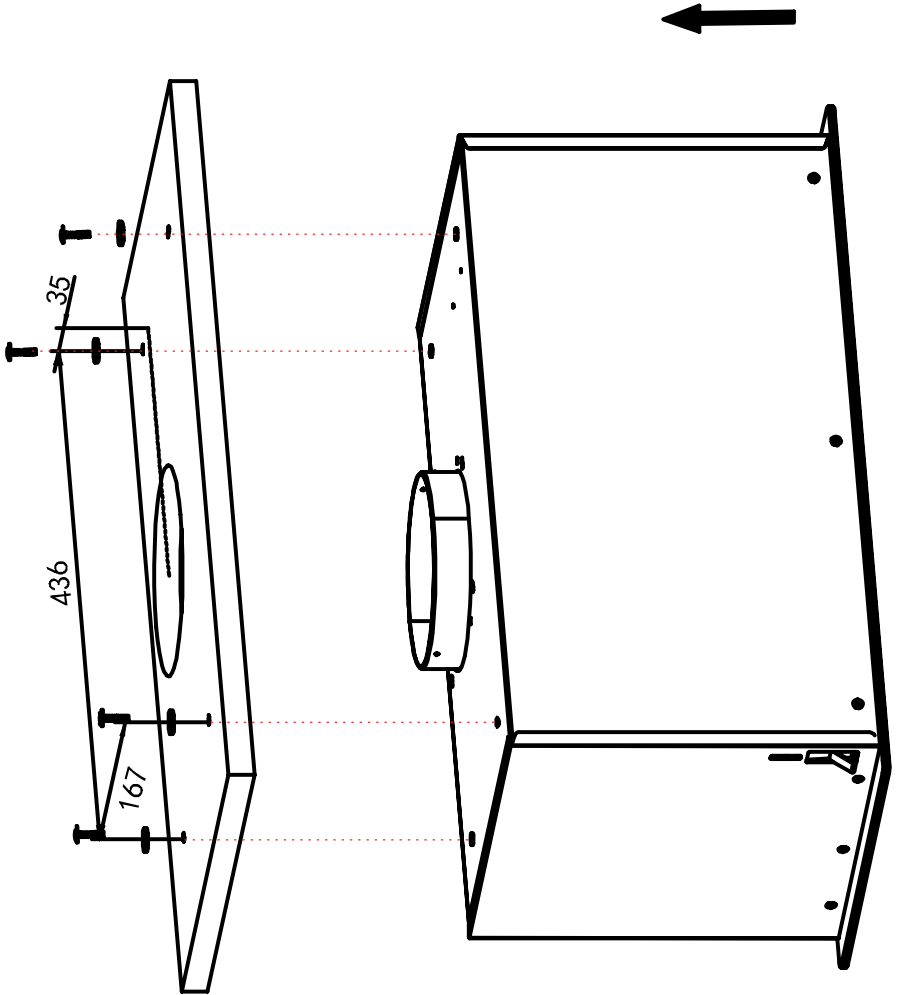


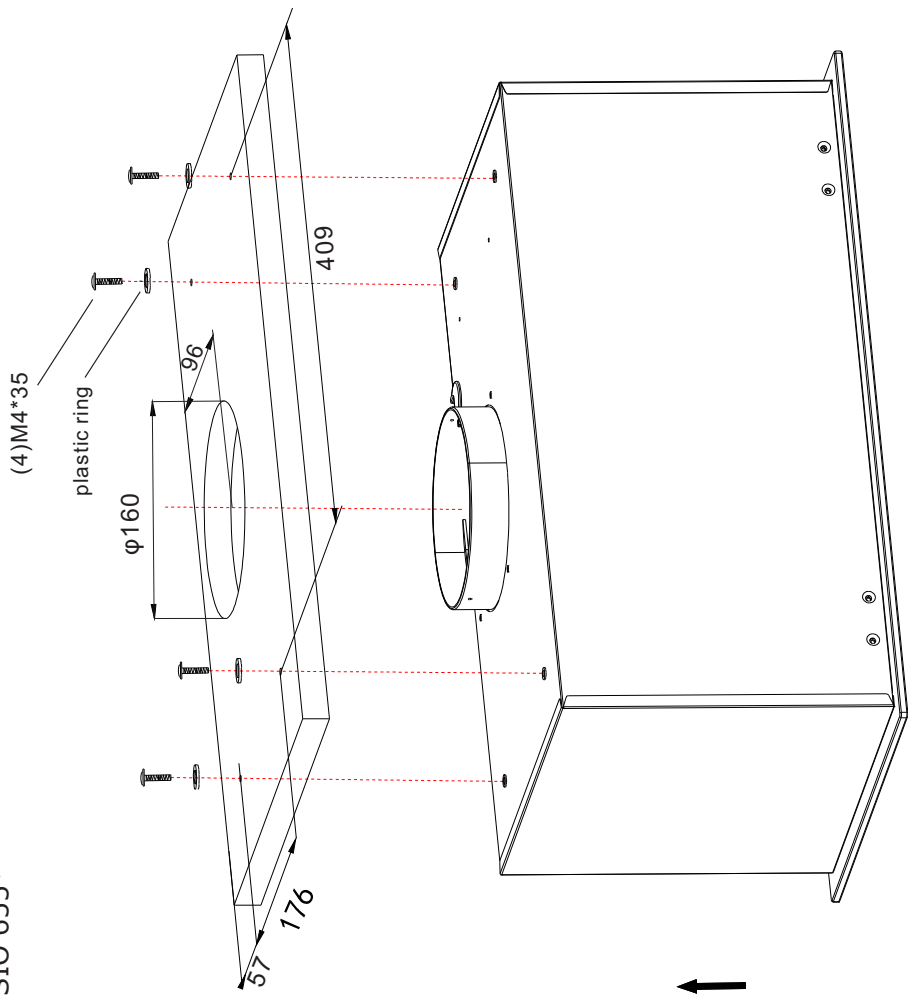


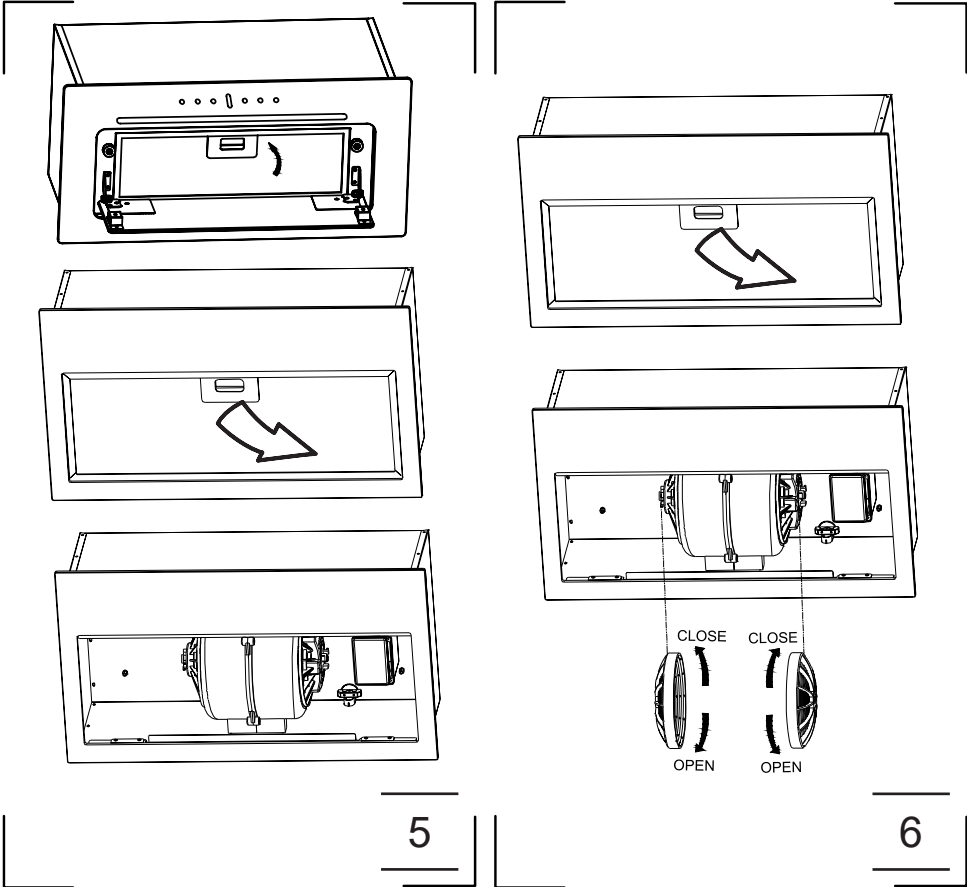
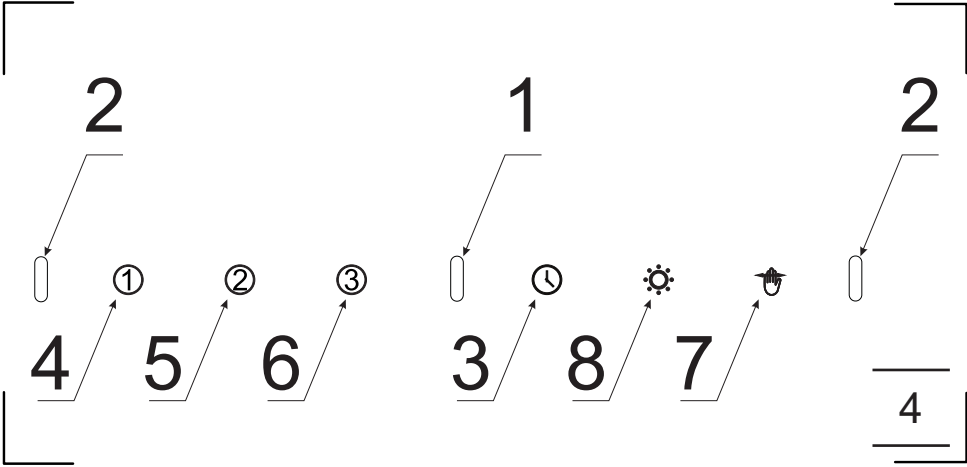












Amica S.A.
ul . Mickiewicza 52 / 64-510 Wronki
tel. 67 25 46 100 / fax 67 25 40 320
www.amica.pl

Amica International GmbH
Lüdinghauser Str. 52
D-59387 Ascheberg
Tel: 0 25 93 - 95 67-0
www.amica-group.de