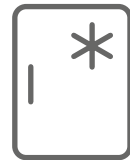


Amica

OPERATING INSTRUCTIONS
GEBRAUCHSANWEISUNG
NOTICE D'UTILISATION
GEBRUIKSAANWIJZING

EN
DE
FR
NL

**Freezer / Gefrierschrank / Congélateur armoire /
Diepvriestkast**



GSN 327 020 E



IO-REF-0801
(01.2021)

EN- Table of contents

GUIDELINES CONCERNING THE SAFETY OF USE	7
INSTALLATION AND OPERATING CONDITIONS OF THE APPLIANCE	12
INSTALLATION BEFORE USING THE APPLIANCE FOR THE FIRST TIME	12
MINIMUM DISTANCES FROM THE HEAT SOURCES	12
MAINS CONNECTION	13
DISCONNECTING THE MAINS	13
CLIMATE RANGE	13
UNPACKING	14
DISPOSAL OF OLD APPLIANCE	15
CONTROLS	16
APPLIANCE CONTROLS	16
OPERATION AND FUNCTIONS	17
STORAGE OF FOOD IN THE FRIDGE-FREEZER	17
FREEZING FOOD**	17
USING THE REFRIGERATOR EFFICIENTLY	19
PRACTICAL EVERYDAY TIPS	19
UNDERSTANDING THE STARS	19
PRACTICAL TIPS	20
FOOD THAT SHOULD NOT BE STORED IN A REFRIGERATOR	20
DEFROSTING, WASHING AND MAINTENANCE	21
DEFROSTING THE FRIDGE***	21
DEFROSTING THE FREEZER**	21
DEFROST THE FREEZER CHAMBER FOLLOWING STEPS:**	22
AUTOMATIC FRIDGE DEFROSTING****	22
AUTOMATIC FRIDGE DEFROSTING****	22
WASHING THE FRIDGE AND FREEZER CHAMBERS MANUALLY****	22
TAKING OUT AND PUTTING IN THE SHELVES*****	22
TAKING OUT AND PUTTING IN THE DOOR SHELF*****	22
TROUBLE-SHOOTING	23
WARRANTY AND AFTER SALES SERVICE	25
WARRANTY	25

DE- Inhaltsverzeichnis

SICHERHEITSHINWEISE	27
INBETRIEBNAHME UND BETRIEBSBEDINGUNGEN DES GERÄTES	32
VORBEREITUNG FÜR DEN ERSTEN BERIEB	32
MINDESTABSTÄNDE ZU WÄRMEQUELLEN	32
ELEKTRISCHER ANSCHLUSS	33
GERÄT VOM STROMNETZ TRENNEN	33
KLIMAKLASSE	33
AUSPACKEN	34
ENTSORGUNG VON ALTGERÄTEN	35
STEUERUNG	36
STEUERUNG DES GERÄTS	36
BEDIENUNG UND FUNKTIONEN	37
AUFBEWAHREN DER LEBENSMITTEL IM KÜHL- UND GEFRIERRAUM	37
TIEFKÜHLUNG DER LEBENSMITTEL**	37
ENERGIESPARENDE NUTZUNG DES KÜHLSCHRANKS	39
PRAKTISCHE RATSCHLÄGE	39
WAS BEDEUTEN DIE STERNE?	39
ZONEN IM KÜHLSCHRANK	40
PRODUKTE, DIE NICHT IM KÜHLSCHRANK AUFBEWAHRT WERDEN SOLLTEN.	40
ABTAUEN, REINIGEN UND PFLEGEN	41
ABTAUEN DES KÜHLRAUMES***	41
ABTAUEN DES GEFRIERRAUMES**	41
ABTAUENDES GEFRIERRAUMES:**	42
AUTOMATISCHE ABTAUUNG DES KÜHLRAUMES****	42
AUTOMATISCHE ABTAUUNG DES GEFRIERRAUMES****	42
REINIGEN DES KÜHL- UND GEFRIERRAUMES****	42
EINBAU UND AUSBAU DER ABSTELLPLATTEN *****	42
EINBAU UND AUSBAU DER TÜRFÄCHER *****	42
LOKALISIERUNG VON STÖRUNGEN	43
GARANTIE, NACHVERKAUF-SERVICE	45
GARANTIE	45

FR- Table des matières

CONSIGNES DE SECURITÉ D'UTILISATION	47
INSTALLATION ET CONDITIONS DE FONCTIONNEMENT DE L'APPAREIL	52
INSTALLATION AVANT LA PREMIÈRE MISE EN MARCHÉ	52
LES DISTANCES MINIMUMS DES SOURCES DE CHAUFFAGE	52
RACCORDEMENT AU RÉSEAU ÉLECTRIQUE	53
MISE HORS CIRCUIT	53
CLASSE CLIMATIQUE	53
DÉBALLAGE	54
ÉLIMINATION DES APPAREILS USAGÉS	55
COMMANDE	56
COMMANDE DE L'APPAREIL	56
UTILISATION ET FONCTIONS	57
CONSERVATION DES DENRÉES DANS LE RÉFRIGÉRATEUR	57
CONGÉLATION DES PRODUITS**	57
COMMENT EXPLOITER LE REFRIGERATEUR DE FAÇON ECONOMIQUE?	59
CONSEILS PRATIQUES	59
QUE VEULENT DIRE LES ÉTOILES?	59
ZONES DE STOCKAGE DANS LE RÉFRIGÉRATEUR	60
PRODUITS QUI NE DEVRAIENT PAS ÊTRE STOCKÉS DANS LE RÉFRIGÉRATEUR	60
DÉGIVRAGE, NETTOYAGE ET CONSERVATION	61
DÉGIVRAGE DU RÉFRIGÉRATEUR***	61
DÉGIVRAGE DU CONGÉLATEUR**	61
MODE OPÉRATOIRE POUR LE DÉGIVRAGE DU COFFRE DU CONGÉLATEUR:**	62
DÉGIVRAGE AUTOMATIQUE DU RÉFRIGÉRATEUR****	62
DÉGIVRAGE AUTOMATIQUE DU CONGÉLATEUR****	62
LAVAGE À MAIN DU COMPARTIMENT RÉFRIG ÉRATEUR ET CONGÉLATEUR****	62
ENLÈVEMENT ET MISE EN PLACE DES CLAYETTES *****	62
ENLÈVEMENT ET MISE EN PLACE DU BALCONNET *****	62
LOCALISATION DES PANNES	63
GARANTIE, SERVICE APRES-VENTE	65
GARANTIE	65

NL- Inhoudsopgave

AANWIJZINGEN BETREFFENDE VEILIGHEID VAN GEBRUIK INSTALLATIE EN WERKOMSTANDIGHEDEN VAN HET APPARAAT	67 72
INSTALLATIE VOOR DE EERSTE INGEBRUIKNAME	72
MINIMALE AFSTANDEN VAN WARMTEBRONNEN	72
AANSLUITEN OP HET ELECTRICITEITSNET	73
UITSCHAKELEN	73
KLIMAATKLASSE	73
UITPAKKEN	74
VERWIJDERING VAN GEBRUIKTE APPARATUUR BEDIENING	75 76
BEDIENING VAN HET APPARAAT	76
BEDIENING EN FUNCTIES	77
HET BEWAREN VAN PRODUCTEN IN DE KOELKAST	77
HET INVRIEZEN VAN PRODUCTEN**	77
HOE KAN DE KOELKAST ECONOMISCH GEBRUIKT WORDEN?	79
PRAKTISCHE TIPS	79
WAT BETEKENEN DE STERRETJES?	79
ZONES IN DE KOELKAST	80
LEVENS MIDDELEN DIE NIET IN DE KOELKAST BEWAARD MOGEN WORDEN	80
ONTDOOIEN, WASSEN EN ONDERHOUD	81
ONTDOOIEN VAN DE KOELKAST***	81
ONTDOOIEN VAN DE DIEPVRIEZER**	81
OM DE VRIESRUIMTE TE ONTDOOIEN HANDELT U ALS VOLGT:**	82
AUTOMATISCH ONTDOOIEN VAN DE KOELKAST****	82
AUTOMATISCH ONTDOOIEN VAN DE DIEPVRIEZER****	82
HANDWASSEN VAN DE KOELKAST EN DIEPVRIEZER****	82
UITHALEN EN INZETTEN VAN DE LEGPLATEAUS*****	82
PLAATSEN EN VERPLAATSEN VAN DE OPBERGVAK*****	82
STORINGEN VINDEN EN VERHELPE N	83
GARANTIE, SERVICE	85
GARANTIE	85

Dear customer,

From now on, your daily housework will be easier than ever before. Your appliance **Amica** is exceptionally easy to use and extremely efficient. After reading these Operating Instructions, operating the appliance will be easy.

Before being packaged and leaving the manufacturer, the appliance was thoroughly checked with regard to safety and functionality.

Before using the appliance, please carefully read these Operating Instructions. By following these instructions carefully you will be able to avoid any problems in using the appliance. It is important to keep these Operating Instructions and store them in a safe place so that they can be consulted at any time.

Follow these instructions carefully in order to avoid possible accidents.

Sincerely,

Amica

GUIDELINES CONCERNING THE SAFETY OF USE

- The appliance is intended for household use only.
- The manufacturer reserves the right to introduce changes which do not affect the operation of the appliance.
- Some provisions in this user manual are unified for refrigerating products of different types (for a refrigerator, refrigerator-freezer or freezer)
- The Manufacturer shall not be held liable for damage arising from the failure to observe the instructions contained in this manual.
- Keep this manual for future reference, or to pass it over to the next user.
- This appliance is not intended for use by persons (including children) with limited physical or mental capabilities and persons who lack experience or familiarity with the appliance.
- Do not allow children to use the appliance. Do not allow them to play with the appliance. They must not climb inside the drawers and swing on the doors.
- The appliance operates properly at the ambient temperature (see product fiche). Do not use it in the cellar, unheated summer cottage during autumn and winter.
- When placing, moving, lifting the appliance, do not hold the door handles, do not pull the condenser at the rear part of the refrigerator and do not touch the compressor unit.
- When transporting, moving or positioning the fridge-freezer do not tilt it by more than 40° from the vertical position. Should such a situation occur, the appliance should be switched on after minimum 2 hours from its replacement in the right position (fig.2).

- Pull the plug out from the mains socket before each maintenance activity. Do not pull on the cord, but hold the body of the plug instead.
- The “cracking” sound, which the appliance may emit is caused by the expansion and contraction of parts as a result of temperature variations.
- For safety reasons do not repair the appliance yourself. Repairs carried out by persons who do not have the required qualifications may result in serious danger for the user of the appliance.
- Air the room in which the appliance is placed for a few minutes (the size of the room for a product containing isobutane/R600a must be at least 4m³) to avoid damage to the cooling system.
- Do not refreeze partly thawed products.
- Do not store beverages in bottles and cans, especially carbonated beverages, in the freezer chamber. The cans and the bottles may explode.
- Do not put frozen products, taken out directly from the freezer (lollies, ice cubes, etc.) into your mouth, their low temperature may cause severe frostbite.
- Make sure you do not damage the cooling system, by puncturing the refrigerant pipes in the evaporator or breaking the pipes. The refrigerant is flammable. If the refrigerant makes contact with the eyes, rinse them with clean water and call for medical assistance immediately.
- If the power wire gets broken, it should be replaced with a new one in a specialist repair shop.
- This appliance is intended for food storage, do not use it for other purposes.
- When performing activities, such as cleaning, maintenance or moving, the appliance must be completely disconnected from power supply (by pulling the plug out from the socket)
- This appliance can be used by children aged 8 years and older or by persons with physical, men-

tal or sensory handicaps, or by those who are inexperienced or unfamiliar with the appliance, provided they are supervised or have been instructed how to safely use the appliance and are familiar with risks associated with the use of the appliance. Ensure that children do not play with the appliance. Cleaning and maintenance of the appliance should not be performed by children unless they are 8 years or older and are supervised by a competent person.

- In order to obtain more space in the freezer, you can remove the drawers and place the food directly on the shelves. This has no effect on the product mechanical properties and cooling performance. Declared freezer capacity was calculated with the drawers removed.



WARNING: Risk of fire / flammable materials

- Children aged from 3 to 8 years are allowed to load and unload refrigerating appliances.

To avoid contamination of food, please respect the following instructions:

- Opening the door for long periods can cause a significant increase of the temperature in the compartments of the appliance.
- Clean regularly surfaces that can come in contact with food and accessible drainage systems.
- Store raw meat and fish in suitable containers in the refrigerator, so that it is not in contact with or drip onto other food.
- Two-star frozen-food compartments are suitable for storing pre-frozen food, storing or making ice-cream and making ice cubes.
- One-, two- and three-star compartments are not suitable for the freezing of fresh food

	Compartments TYPE	Target storage temp.[°C]	Appropriate food
1	Fridge	+2≤+8	Eggs, cooked food, packaged food, fruits and vegetables, dairy products, cakes, drinks and other foods are not suitable for freezing.
2	Freezer ❄️❄️❄️	≤-18	Seafood (fish, shrimp, shellfish), freshwater aquatic products and meat products (recommended for 3 months, the longer the storage time, the worse the taste and nutrition), suitable for frozen fresh food.
3	Freezer ❄️❄️	≤-18	Seafood (fish, shrimp, shellfish), freshwater aquatic products and meat products (recommended for 3 months, the longer the storage time, the worse the taste and nutrition), are not suitable for frozen fresh food.
4	Freezer ❄️❄️	≤-12	Seafood (fish, shrimp, shellfish), freshwater aquatic products and meat products (recommended for 2 months, the longer the storage time, the worse the taste and nutrition), are not suitable for frozen fresh food
5	Freezer ❄️	≤-6	Seafood (fish, shrimp, shellfish), freshwater aquatic products and meat products (recommended for 1 months, the longer the storage time, the worse the taste and nutrition), are not suitable for frozen fresh food.
6	0- star compartment	-6≤0	Fresh pork, beef, fish, chicken, some packaged processed foods, etc. (Recommended to eat within the same day, preferably no more than 3 days). Partially encapsulated processed foods (non-freezable foods)
7	Chill	2≤+3	Fresh/frozen pork, beef, chicken, freshwater aquatic products, etc.(7 days below 0°C and above 0°C is recommended for consumption within that day, preferably no more than 2 days). Seafood (less than 0 for 15 days, it is not recommended to store above 0°C)
8	Fresh Food	0≤+4	Fresh pork, beef, fish, chicken, cooked food, etc. (Recommended to eat within the same day, preferably no more than 3 days)
9	Wine	+5≤+20	red wine,white wine,sparkling wine etc.

- Note: please store different foods according to the compartments or target storage temperature of your purchased products.

- If the refrigerating appliance is left empty for long periods, switch off, defrost, clean, dry, and leave the door open to prevent mould developing within the appliance.
- Water dispenser cleaning (special for water dispenser products): Clean water tanks if they have not been used for 48 h; flush the water system connected to a water supply if water has not been drawn for 5 days.
- Pursuant to Commission Regulation (EU) 2019/2019, the minimum availability period for spare parts necessary to repair the appliance is 7 or 10 years depending on the type and purpose of the spare part.
- The list of spare parts and the ordering procedure are available on the websites of the manufacturer, importer or an authorized representative.
- For more information about the product, please refer to the EU EPREL Product Database at <https://eprel.ec.europa.eu>. For more information, please use your mobile device to scan the QR code on the energy label or enter the product model listed on the energy label in the EPREL search engine <https://eprel.ec.europa.eu/>

INSTALLATION AND OPERATING CONDITIONS OF THE APPLIANCE

This refrigeration appliance is not intended for use as a built-in appliance.

Installation before using the appliance for the first time

- Take the product out of the package, remove the scotch tape protecting the door and the equipment. Any remaining adhesive stains may be removed with a mild washing agent.
- Do not throw away the polystyrene elements of the packaging. If it is necessary to transport the fridge-freezer, pack it in the polystyrene elements and film as well as protecting it with scotch tape
- Clean the interior surface of the fridge-freezer and the elements of the equipment with a washing agent dissolved in lukewarm water, then wipe it dry.
- Place the fridge-freezer on an even, flat and stable surface, in dry, aired and shaded room, far from the heat sources such as: oven, hob, central heating radiators, central heating pipes, hot water installation, etc.
- On the exterior surface of the product may be a protective foil, this foils should be removed.
- Make sure the appliance is placed in a horizontal position by screwing in the 2 adjustable front legs (fig. 3)
- To ensure that the door opens freely, the distance between the side of the appliance (on door hinges side) and the wall is shown on figure 5.*
- Ensure adequate ventilation of the room and free air circulation from all sides of the appliance (fig. 6).*

Minimum distances from the heat sources

- from the electric gas and other ovens - 30 mm,
- from oil or coal fired ovens - 300 mm,
- from built-in ovens - 50 mm

If there is no possibility of ensuring the above- mentioned distances, provide an appropriate insulation board.

Warning:

- The rear wall of the refrigerator, in particular, the condenser and other elements of the cooling system must not contact other elements, which may damage them, (e.g. central heating pipes and the water supply pipes).
- It is forbidden to readjust or modify any parts of the unit. It is crucial not to damage the capillary tube visible in the compressor recess. The tube may not be bent, straightened or wound.
- If the capillary tube is damaged by the user the guarantee will be void (fig. 8).
- In some models the handle is put into the appliance, You should screw it with Your own screwdriver,

Mains connection

- Prior to connection, it is recommended to set the temperature control knob to an „OFF“ or other position that disconnects the appliance from the power supply (See page with the control description).
- This appliance should be connected to AC 220-240V 50Hz supply socket. The socket must be fitted properly, and must be supplied with an earthing conduit and a 10A fuse.
- It is a legal requirement that the appliance is properly earthed. The manufacturer will not be held liable for any damage or injury which may result from the failure to fulfil this requirement.
- Do not use adapters, multiple sockets and two-wire extension leads. If it is necessary to use the extension lead, it must be equipped with a protection ring and a single socket and must have a VDE/GS safety certificate.
- If an extension lead is used (with a protection ring and safety certificate), its socket must be located at a safe distance, away from the sinks, and must not be in a place where it could be flooded by water or waste water.
- See the type plate at the lower part of the internal wall of the appliance for detailed specifications**.

Disconnecting the mains

Make sure the appliance can be easily disconnected from the mains, either by pulling the plug out of the mains socket, or by switching the two-pole switch off (fig. 9).

Climate range

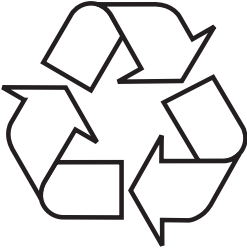
The information about the climate range of the appliance is provided on the rated plate. It indicates at which ambient temperature (that is, room temperature, in which the appliance is working) the operation of the appliance is optimal (proper).

Climate class		Allowable ambient temperature
SN	Extended Temperate	This refrigeration appliance is intended for use at an ambient temperature ranging between 10°C and 32°C
N	Temperate	This refrigeration appliance is intended for use at an ambient temperature ranging between 16 °C and 32°C
ST	Subtropical	This refrigeration appliance is intended for use at an ambient temperature ranging between 16 °C and 38 °C
T	Tropical	This refrigeration appliance is intended for use at an ambient temperature ranging between 16 °C and 43 °C

* Only free-standing appliances

** According to the model

UNPACKING



During transportation, protective packaging was used to protect the appliance against any damage. After unpacking, please dispose of all elements of packaging in a way that will not cause damage to the environment.

All materials used for packaging the appliance are environmentally friendly; they are 100% recyclable and are marked with the appropriate symbol.

Important! Packaging materials (bags, polyethylene, polystyrene, etc.) should be kept away from children during unpacking.

DISPOSAL OF OLD APPLIANCE



In accordance with European Directive 2012/19/EU and local legislation regarding used electrical and electronic goods, this appliance is marked with the symbol of the crossed-out waste container. This marking indicates that the appliance must not be disposed of together with other household waste after it has been used.

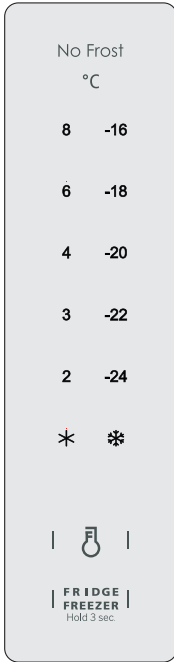
The user is obliged to hand it over to waste collection centre collecting used electrical and electronic goods. The collectors, including local collection points, shops and local authority departments provide recycling schemes.

Proper handling of used electrical and electronic goods helps avoid environmental and health hazards resulting from the presence of dangerous components and the inappropriate storage and processing of such goods.

CONTROLS

Appliance controls

The control panel is shown in Figure 10. For your reference, it is also shown below:



|  | - adjust temperature inside the chamber


| **FRIDGE FREEZER** | - select function



When the appliance is plugged in for the first time, all indicators will light up, then the freezer function and temperature will of -20°C will be set by default.



The appliance has non-volatile memory and temperature setting will not change when power fails and is then restored.

Select function

Touch and hold | **FRIDGE FREEZER** | for 3 seconds to select the refrigerator or freezer function, the temperature indicator in the other column will light up.

Touch the |  | sensor repeatedly to cycle through the available temperature settings.

Super Cool - touch |  | repeatedly until * lights up. The temperature inside the refrigerator will be set to $+2^{\circ}\text{C}$. This function will turn off automatically after 150 minutes, or when you touch |  | to change the temperature.

Fast Freeze - touch |  | repeatedly until * lights up. The temperature inside the freezer will be set to -24°C . This function will turn off automatically after 24 hours, or when you touch |  | to change the temperature.

Note: When changing the appliance mode of operation from the freezer to the refrigerator, remove all frozen food and place the fresh food to be cooled after about an hour. Do not place fresh food inside the appliance within an hour as it will cause frosting.

Error Codes:

Error code	Signaling (flashing at the same time)		Description
	Refrigerator	Freezer	
E1	* and 2	* and -24	Temperature sensor failure
E4	* and 3	* and -22	Heater sensor temperature error
E6	2 and 4	-24 and -20	Communication error
E7	* and 4	* and -20	Ambient temperature sensor error
E10	2 and 3	-24 and -22	Control error

OPERATION AND FUNCTIONS

Storage of food in the fridge-freezer

- The products should be placed on plates, in containers or packed in food wrap. Distribute them evenly over the shelves.
- If the food contacts the rear wall, it may cause frosting or wetting of the products.
- Do not put dishes with hot food into the fridge
- Products which absorb flavours easily such as butter, milk, white cheese and products with intense flavour, such as fish, smoked meat, hard cheese must be placed on shelves, packed in food wrap or in tightly sealed containers.
- The storage of vegetables containing significant quantities of water will cause the deposition of condensation on the vegetable containers, it does not impact on the proper functioning of the fridge.
- Before putting the vegetables into the fridge, dry them well.
- Excessive moisture shortens the shelf life of vegetables, especially the leafed vegetables.
- Do not wash the vegetables before storing in the refrigerator. Washing removes the natural protection, therefore it is better to wash the vegetables directly before consumption.
- It is recommended to place the products in freezer drawers 1, 2, 3* up to natural loading capacity (Fig. 11a / 11b).**
 1. Packed products
 2. Shelf
 3. Natural loading capacity
 4. ✖***
- Stacking of products on the freezer shelves is acceptable.*
- It is acceptable to place products beyond the natural loading capacity by 20-30 mm.**
- In order to increase the loading capacity of the freezer chamber and allow the stacking of products on the freezer evaporator wire shelves up to maximum height it is possible to remove drawers 1 and 2.*

Freezing food**

- Practically all the food products, except for vegetables consumed raw, such as lettuce can be frozen.
- Only food products of the highest quality, divided into small portions for single use, should be frozen.
- Products should be packed in materials that are odourless, resistant to air and moisture penetration, and not susceptible to fat. Plastic bags, polyethylene and aluminium sheets are the best wrapping materials.
- The packaging should be tight and should stick to the frozen products. Do not use glass containers.
- Keep fresh and warm foodstuff at ambient temperature away from the products, which have already been frozen.
- We advise you not to place more of fresh food at a time to the freezer per day (see table with technical specification).

- In order to maintain optimum quality of the frozen food, reorganise the food that is in the middle of the freezer, so that it does not touch the products that are not yet frozen.
- It is recommended that you move the already frozen products to one side and place the fresh products that are to be frozen on the opposite side, as close to the rear and side walls as possible.
- To freezing products, use space marked **[❌***]**.
- Bear in mind that the temperature in the freezer is affected by several factors, including the ambient temperature and the quantity of food products in the chamber, the frequency of opening the door, the amount of frost in the freezer, and the thermostat setting.
- If you cannot open the freezer door immediately after closing it, allow 1-2 minutes for the negative pressure to compensate, and try again to open the door.

The storage time for frozen products depends on their quality before freezing when fresh, and on the storage temperature. The following storage periods are recommended when the temperature of -18°C or lower is maintained:

Products	Months
Beef	6-8
Veal	3-6
Giblets	1-2
Pork	3-6
Poultry	6-8
Eggs	3-6
Fish	3-6
Vegetables	10-12
Fruit	10-12

Do not store frozen food in rapid cooling chamber. Ice cubes can be prepared and stored in this chamber.

Note: If the appliance does not have a freezer compartment (**[❌***]**), it is not suitable for freezing foodstuffs.

* Applicable to appliances with a freezer compartment at the bottom of the appliance.

** Applicable to appliances with a freezer compartment **[❌***]**

*** Not applicable to appliances with a freezer compartment marked **[❌***]**

USING THE REFRIGERATOR EFFICIENTLY

Practical everyday tips

- Do not place fridges or freezers next to radiators, heaters, stoves or in direct sunlight.
- Make sure that air vents are not covered up and clean the dust off them once or twice a year.
- Select the right temperature: 6 to 8°C in your refrigerator and -18°C in your freezer is sufficient.
- When on holiday, turn up the temperature in your fridge.
- Only open your fridge or freezer when necessary. It helps if you know what food each contains and where it is located. Return food to the fridge or freezer as soon as possible after you have used it so that it does not warm up too much.
- Wipe the inside of your fridge regularly with a cloth soaked in a mild detergent. Appliances which are not self-defrosting will require regular defrosting. Do not allow frost layers thicker than 10 mm to form.
- Keep the seal around the door clean, otherwise it will not shut properly. Always replace broken seals.

Understanding the stars



Temperature is at least -6°C; sufficient to store frozen food for about a week. Drawers or compartments marked with one star used to be a feature of (mostly) cheaper fridges.



Food can be stored at -12°C or below for 1-2 weeks without losing its taste. Not suitable for freezing food.



This rating is mainly used to store foods at -18°C or below. Can also be used to freeze up to 1 kilogram of fresh food.



This appliance is suitable for storing foods at -18°C or below and freezing larger quantities of fresh foods.

Practical tips

Due to the natural circulation of the air in the appliance, there are different temperature zones in the refrigerator chamber.

- The coldest area is directly above the vegetables drawers. Use this area for all delicate and highly perishable food e.g.:
 - Fish, meat, poultry
 - Sausage products, ready meals
 - Dishes or baked goods containing eggs or cream
 - Fresh dough, cake mixtures
 - Pre-packed vegetable and other fresh food with a label stating it should be kept at a temperature of approx 4°C.
- The warmest area is in the top section of the door. Use this for storing butter and cheese.

Food that should not be stored in a refrigerator

- Not all food is suitable for storing in the refrigerator, particularly:
 - Fruit and vegetables which are sensitive to cold, such as bananas, avocado, papaya, passion fruit, aubergines, peppers, tomatoes and cucumbers.
 - Fruit which is not yet ripe
 - Potatoes

Warning:

Example of storing the food - see figure 12.

To achieve the most effective food preservation for the longest possible time and to avoid wasting any food, position the products as shown in Figure 12. In addition, this figure illustrates the layout of drawers, baskets and shelves, which allows the most efficient use of energy.

Optimal temperature and storage conditions will extend product shelf life and optimize electricity consumption. Optimal storage temperature range should be stated on the food product packaging.

DEFROSTING, WASHING AND MAINTENANCE

Never clean the product's casing or plastic parts using solvents or strong, abrasive detergents (e.g. washing powders or creams)! Use mild liquid detergents and soft cloths only. Do not use sponges.

Defrosting the fridge***

- Frost settles on the rear wall of the fridge chamber. It is removed automatically. During the defrosting, the condensate, which contains contaminants may clog the opening in the through. Should it occur, carefully unclog the opening with the cleaning plug (fig. 13).
- The appliance operates in cycles: it refrigerates (then the frost settles on the rear wall), and defrosts (water flows down the rear wall)
- Disconnect the appliance from the mains before cleaning by removing the plug from the mains socket or switching off the fuse. Prevent water from penetrating the control panel or the light.
- Do not use defrosting aerosols. They may cause the formation of an explosive mixture, or contain solvents which may damage the plastic components of the appliance and even be harmful to health.
- Make sure the water used for cleaning does not flow into the evaporation container through the discharge opening.
- The whole appliance, except for the door gasket must be cleaned with a mild cleaning detergent. The door gasket should be cleaned with water and wiped dry.
- Wash all the accessories (vegetable containers, door shelves, glass shelves, etc.).

Defrosting the freezer**

- It is recommended to combine defrosting the appliance with washing it.
- Excessive accumulation of ice on the freezing areas impairs the appliance's freezing capacity and increases the energy consumption.
- Defrost the appliance at least once or twice a year. In case of a higher ice build-up, defrosting must be carried out more frequently.
- If there is food in the freezer, set the knob to the max. position about 4 hours before the planned defrosting. This will ensure the possibility of storing the food at the ambient temperature for a longer time.
- After taking the food out of the freezer, put it in a container, wrap it with several layers of paper, a blanket and store it at a cool place.
- The defrosting operation should last as short as possible. Long storage of food at the ambient temperature shortens their shelf life.

Defrost the freezer chamber following steps:**

- Switch of the appliance using the control panel and pull the plug out from the socket..
- Open the door and remove the food from the freezer.
- Depending on the model, pull out the drainage tube located in the bottom of the freezer compartment and place a suitable vessel underneath.
- Leave the door open, this will speed up the defrost process. Additionally, a pot with hot water (not boiling) may be placed inside the freezer compartment.
- Wash the interior of the freezer and wipe it dry.
- Switch on the appliance as per the relevant point in the manual.

Automatic fridge defrosting****

The fridge chamber has been equipped with an automatic defrosting function. However, frost may settle on the rear wall of the fridge chamber. This happens usually, when large quantities of fresh food products are stored in the fridge.

Automatic fridge defrosting****

The freezer chamber has been equipped with an automatic defrosting function (no-frost). The food is frozen in the cooled circulation air, and the moisture from the freezer chamber is discharged outside. As a result, no ice and frost is produced in the freezer and the products do not freeze on each other.

Washing the fridge and freezer chambers manually****

It is recommended to wash the fridge and freezer chambers at least once a year. This prevents the formation of bacteria and bad odours. Switch off the appliance, using button (1), remove the food from the chambers and wash them using water with a mild detergent. Then, wipe the chambers dry with a cloth.

Taking out and putting in the shelves*****

Slide the shelf out, then slide it in as much as possible so that its clamp could fit the guide groove (fig. 15).

Taking out and putting in the door shelf*****

Lift the door shelf, remove it and put it back from the top into its required position (fig. 16).

WARNING! You must not put an electric heater, a heating fan or a hair dryer into the freezer by any means.

** Applicable to appliances with a freezer compartment 

Not applicable to appliances with a Frost-free System.

*** Applicable to appliances with a refrigerator compartment

Not applicable to appliances with a Frost-free System.

**** Applicable to appliances with a Frost-free System.

***** Does not apply to freezers

TROUBLE-SHOOTING

Problems	Possible causes	Remedies
The appliance does not work	The electric circuit is disrupted	<ul style="list-style-type: none"> - check whether the plug is properly inserted into the socket - check whether the power cable of the appliance is not damaged - check whether there is voltage in the socket, by plugging another appliance, e.g. a night lamp - check whether the appliance is switched on by setting the thermostat to a position above 0.
The lighting inside the chamber does not work	The bulb is loose or fused (only appliances with bulb lightning type)	<ul style="list-style-type: none"> - fit the bulb correctly or replace it (see section above "Replacing the interior light bulb")
The appliance works continuously	<p>Incorrect setting of the adjustment knob</p> <p>See. "Temperature inside the appliance is not low enough for description of other possible causes"</p>	<ul style="list-style-type: none"> - reset the knob to a lower position <p>See. "Temperature inside the appliance is not low enough for description of other possible remedies"</p>
Water collects in the lower part of the appliance	<p>The water discharge opening is clogged (depending on the model)</p> <p>Internal air circulation obstructed</p>	<ul style="list-style-type: none"> - clean the discharge opening (see the operating manual – chapter entitled "Defrosting the fridge") - place the food and containers in such a way as that they do not touch the rear wall of the fridge
The appliance generates unusual noise	<p>Incorrect levelling of the appliance</p> <p>The appliance is touching furniture and/or other objects</p>	<ul style="list-style-type: none"> - level the appliance properly - place the appliance at a location that ensures proper clearances around it

Problems	Possible causes	Remedies
Temperature inside the appliance is not low enough or too high	Incorrect setting of the adjustment knob	- reset the knob to a higher position
	The ambient temperature is higher or lower than the climate range from table with technical specification	- the appliance is adapted to operation in the climate range from table with technical specification.
	The appliance is located in a sunlit place or near heat sources	- move the appliance to another place. Observe the guidelines contained in the manual
	Too much warm food loaded at a time	- wait 72 hours until the food becomes cool (freezes) and the required temperature is reached inside the chamber
	Internal air circulation obstructed	- place the food and containers in such a way that they do not touch the rear wall of the fridge
	The air circulation at the back of the appliance is obstructed	- move the appliance min. 30 mm away from the wall
	The door of the fridge/freezer is opened too often and/or remains open for too long	- reduce the frequency of opening the door and/or shorten the time when door remains open
	The door does not close completely	- place the food and containers so that they would not interfere with door closed
The compressor is switched on too rarely	- check whether the ambient temperature is not lower than climate class	
Door gasket inserted incorrectly	- press the gasket in	

Certain sounds can be heard during normal use of the refrigerator, which do not affect its correct operation.

Sounds, which can be easily prevented:

- noise caused by the appliance which is not level - adjust the position with the adjustable turn-in front feet. Alternatively, place pads made of soft material under the rear rollers, especially when the appliance is placed on tiles.
- touching the adjacent piece of furniture - move the refrigerator away.
- creaking of the drawers or shelves - take out and put back the drawer or shelf.
- sounds of clinking bottles - move bottles apart.

Sounds heard during normal use are mainly due to operation of the thermostat, compressor (switching on) and cooling system (thermal expansion and contraction of the radiator caused by flow of the cooling agent).

WARRANTY AND AFTER SALES SERVICE

Warranty

Warranty service as stated on the warranty card. The manufacturer shall not be held liable for any damage caused by improper use of the product.

Service

- The manufacturer recommends that all repairs and adjustments be carried out by the Factory Service Technician or the Manufacturer's Authorized Service Point. For safety reasons, repairs should be referred to professionals.
- Repairs carried out by unqualified persons may seriously endanger the appliance user.
- The minimum warranty period for the appliance offered by the manufacturer, importer or authorized representative is given in the warranty card.
- The warranty shall be void if you make any independent adaptations or alterations, tamper with seals or other appliance safety devices or its parts or interfere with the appliance contrary to operating instructions.

In the event of appliance malfunction, request assistance or repair.

If your appliance needs repair, please contact the service centre. Please see warranty card for address and contact details of our service centre. Before contacting us, please have ready the appliance serial number, which can be found on the identification sticker: For your convenience, please write it down below:

--	--	--	--	--	--	--	--	--	--	--	--	--	--	--	--	--	--	--	--

Manufacturer's Declaration

The manufacturer hereby declares that this product meets the requirements of the following European directives:

- **Low Voltage Directive 2014/35/EC**
- **Electromagnetic Compatibility (EMC) Directive 2014/30/EC**
- **ErP Directive 2009/125/EC**
- **Directive RoHS 2011/65/EC**

and has thus been marked with the  symbol and been issued with a declaration of compliance made available to market regulators.

Sehr geehrter Kunde,

Von heute an werden Ihre alltäglichen Pflichten einfacher denn je. Dieses Gerät **Amica** ist eine Verbindung einer außergewöhnlich leichten Bedienung und einer perfekten Effizienz. Nachdem Sie diese Bedienungsanleitung gelesen haben, ist die Bedienung des Gerätes kein Problem mehr.

Bevor das Gerät das Herstellerwerk verlassen konnte, wurde er vor dem Verpacken gründlich auf deren Sicherheit und Funktionalitäten an Prüfständen überprüft.

Bevor das Gerät in Betrieb genommen wird, lesen Sie bitte die Bedienungsanleitung aufmerksam durch. Befolgen Sie die darin stehenden Hinweise, vermeiden Sie verschiedene Bedienfehler. Diese Bedienungsanleitung ist zu erhalten und so aufzubewahren, dass sie jederzeit bei der Hand ist.

Zur Vermeidung möglicher Unfälle befolgen Sie die in der Bedienungsanleitung stehenden Hinweise genau.

Mit freundlichen Grüßen

Amica

SICHERHEITSHINWEISE

- Das Gerät ist ausschließlich für den Einsatz im Haushalt bestimmt.
- Der Hersteller behält sich das Recht vor, Änderungen vorzunehmen, die Gerätefunktion nicht beeinträchtigen.
- Manche Bestimmungen dieser Bedienungsanleitung wurden für die Kühlgeräte verschiedener Art (für den Kühlschrank, Kühl-Gefriergerät oder Gefriergerät) vereinheitlicht. Die Information über die Art Ihres Gerätes ist dem Produktdatenblatt, das dem Gerät beigelegt wurde, zu entnehmen.
- Der Hersteller haftet nicht für die Schäden, die Folge der Nichteinhaltung in der vorliegenden Gebrauchsanweisung angeführten Prinzipien sind.
- Bewahren Sie diese Gebrauchsanweisung auf, um sie in Zukunft auszunutzen oder einem eventuellen Nachbesitzer übergeben zu können.
- Das Gerät darf nicht durch Personen (darunter auch Kinder) mit eingeschränkten körperlichen, sinnlichen oder psychischen Fähigkeiten sowie durch unerfahrene sowie solche Personen, die das Gerät nicht kennen, bedient werden, es sei denn, es geschieht unter Aufsicht oder gemäß der Anweisungen der für ihre Sicherheit verantwortlichen Personen.
- Erlauben Sie nicht den Kindern das Gerät ohne Aufsicht zu bedienen. Erlauben Sie den Kinder nicht mit dem Gerät zu spielen. Lassen Sie die Kinder nicht sich auf die aufschiebbaeren Bestandteile des Kühlschranks zu setzen oder auf der Kühlschranktür zu hängen.
- Das Kühl-Gefriergerät arbeitet ordnungsgemäß bei einer Raumtemperatur, die in der Tabelle mit der technischen Spezifikation angegeben ist. Das Gerät ist nur für den Gebrauch in Innenräumen geeignet, allerdings nicht in unbeheizten Kellerräumen, Hausfluren oder Sommerhäusern.
- Zum Aufstellen und Verschieben des Gerätes dürfen nie die Türgriffe, die Kondensatorröhrchen oder die Kompressoreinheit benutzt werden.
- Das Kühl- und Gefriergerät sollte während des Trans-

ports oder der Aufstellung nur bis zu 40° geneigt werden. Ist der Winkel größer, darf das Gerät erst nach 2 Stunden eingeschaltet werden. (Abb. 2).

- Vor jeder Wartungsarbeit ist der Netzstecker aus der Steckdose zu entfernen. (Nicht am Kabel, sondern immer am Netzstecker ziehen).
- Knackende Geräusche sind eine Folge der Materialausdehnung bzw. -zusammenziehung einzelner Bauelemente, die durch Temperaturschwankungen des Kühlmittels hervorgerufen werden.
- Aus Sicherheitsgründen ist das Gerät niemals selbständig zu reparieren, sondern nur durch Mitarbeiter einer autorisierten Fachwerkstatt. Nur so bleibt die vom Hersteller gewährte Garantie erhalten.
- Im Falle einer Beschädigung des Kühlkreislaufs muss der Raum, in dem das Gerät aufgestellt wurde, einige Minuten gut durchgelüftet werden (Das Gerät mit Isobutan R600a benötigt einen Raum von mindestens 4 qm Fläche.)
- Angetaute Lebensmittel dürfen auf keinen Fall wieder eingefroren werden
- Getränke in Flaschen und Dosen, dürfen nicht im Tiefkühlbereich aufbewahrt werden. Die Flaschen und Dosen platzen!
- Das aus dem Gefrierraum her- ausgenommene Gefriergut (Eis, Eiswürfel usw.) darf nicht direkt in den Mund genommen werden, es könnte schmerzhafte Erfrierungen verursachen.
- Das Kühlsystem niemals beschädigen. Das Kältemittel ist leicht entflammbar. Bei Kontakt mit den Augen sofort gründlich mit Wasser spülen und einen Arzt konsultieren.
- Ist die Anschlussleitung beschädigt, muss sie ersetzt werden. Diese darf nur von einer autorisierten Fachwerkstatt ausgewechselt werden.
- Das Gerät dient zur Aufbewahrung von Nahrungsmitteln, zu anderen Zwecken nicht verwenden.
- Das Gerät ist für die Dauer solcher Handlungen wie Reinigung, Wartung oder Änderung des Aufstellungsstandortes von der Stromversorgung ganz (durch Ziehen des Netzsteckers aus der Steckdose) zu trennen.

- Das Gerät kann von Kindern ab 8 Jahren und Personen mit eingeschränkten physischen, sensorischen oder geistigen Fähigkeiten oder mit mangelnder Erfahrung und Unkenntnis verwendet werden, wenn sie in die sichere Verwendung des Geräts eingewiesen wurden und sie die mit ihm verbundenen Gefahren verstanden haben. Kinder dürfen nicht mit dem Gerät spielen. Die Reinigung und Wartung des Gerätes dürfen von Kindern nicht erfolgen, es sei denn, dass sie das 8. Lebensjahr vollendet haben und von einer zuständigen Person beaufsichtigt wurden.
- Um mehr Platz im Gefriergerät zu bekommen, können die Schubladen herausgenommen und die Produkte direkt in die einzelnen Fächer gelegt werden. Die thermischen und mechanischen Eigenschaften des Gerätes werden hiervon nicht betroffen. Der deklarierte Nutzinhalt des Gefriergerätes wurde bei herausgenommenen Schubladen ermittelt.



WARNHINWEIS: Brandgefahr / brennbare Stoffe

- Kinder im Alter von 3 bis 8 Jahren können Produkte in das Kühlgerät legen oder herausnehmen.

Um die Kontamination von Lebensmitteln zu vermeiden, halten Sie sich an folgende Regeln:

- Lassen Sie die Tür nicht zu lange offen, da sonst die Temperatur in den Kühlfächern beachtlich ansteigen kann.
- Reinigen Sie die mit Lebensmitteln in Kontakt kommenden Flächen sowie gegebenenfalls die zugänglichen Wasserabläufe regelmäßig.
- Bewahren Sie rohes Fleisch und Fisch in den dafür vorgesehenen Kühlfächern auf, sodass sie nicht mit anderen Lebensmittel in Kontakt kommen und kein Fleisch- oder Fischsaft auf andere Lebensmittel tropft.
- Die 2-Sterne-Fächer im Gefrierschrank dienen zur Lagerung von Tiefkühlprodukten, zum Aufbewahren oder Einfrieren von Eis sowie für die Herstellung von Eiswürfeln.

- Die Fächer mit einem, zwei oder drei Sternen sind nicht zum Einfrieren frischer Lebensmittel bestimmt.

	Arten von Kühlfächern	Vorgesehene Lagertemperatur [°C]	Geeignete Lebensmittel
1	Kühlschrank	+2≤+8	Eier, gekochte Lebensmittel, verpackte Lebensmittel, Obst und Gemüse, Milchprodukte, Kuchen, Getränke und andere nicht zum Einfrieren geeignete Produkte.
2	Gefrierfach ✳️***	≤-18	Meeresfrüchte (Fisch, Garnelen, Muscheln), Süßwasserfische und Fleischprodukte (möglichst maximal 3 Monate - je länger die Lagerzeit, desto mehr verliert das Produkt an Geschmack und Nährwerten), geeignet zum Einfrieren frischer Lebensmittel.
3	Gefrierfach **	≤-18	Meeresfrüchte (Fisch, Garnelen, Muscheln), Süßwasserfische und Fleischprodukte (möglichst maximal 3 Monate - je länger die Lagerzeit, desto mehr verliert das Produkt an Geschmack und Nährwerten), nicht zum Einfrieren frischer Lebensmittel.
4	Gefrierfach *	≤-12	Meeresfrüchte (Fisch, Garnelen, Muscheln), Süßwasserfische und Fleischprodukte (möglichst maximal 2 Monate, je länger die Lagerzeit, desto mehr verliert das Produkt an Geschmack und Nährwerten), nicht geeignet zum Einfrieren frischer Lebensmittel.
5	Gefrierfach	≤-6	Meeresfrüchte (Fisch, Garnelen, Muscheln), Süßwasserfische und Fleischprodukte (möglichst maximal 1 Monat - je länger die Lagerzeit, desto mehr verliert das Produkt an Geschmack und Nährwerten), nicht geeignet zum Einfrieren frischer Lebensmittel.
6	Fach ohne Stern	-6≤0	Frisches Schweinefleisch, Rindfleisch, Fisch, Hähnchen, bestimmte verpackte verarbeitete Produkte, usw. (am besten noch am selben Tag und maximal innerhalb von 3 Tagen verzehren). Teilweise verpackte verarbeitete Produkte (nicht zum Einfrieren geeignete Produkte)
7	Kühlfach	2≤+3	Frisches/eingefrorenes Schweinefleisch, Rindfleisch, Hähnchen, Süßwasserfische etc. (7 Tage später 0°C, bei über 0°C am besten selben Tag und maximal innerhalb von 2 Tagen verzehren). Meeresfrüchte (unter 0°C für 15 Tage, nicht bei Temperaturen über 0°C lagern)

8	Fach für die Aufbewahrung von frischen Lebensmitteln	0≤+4	Frisches Schweinefleisch, Rindfleisch, Fisch, Hähnchen, gekochte Produkte etc. (am besten am selben Tag und maximal innerhalb von 3 Tagen verzehren).
9	Weinfach	+5≤+20	Rot- und Weißwein, Sekt etc.

- Hinweis: lagern Sie die Produkte gemäß den Anweisungen für die Fächer oder gemäß den Lagertemperaturen für die Produkte.
- Wenn der Kühlschrank über längere Zeit nicht benutzt wird und leer steht, müssen Sie ihn abschalten, abtauen, auswaschen, trocknen und die Tür offen lassen, damit sich im Inneren kein Schimmel bildet.
- Reinigung des Wasserspenders (bei Produkten mit Wasserspender): Reinigen Sie die Wasserbehälter, wenn sie über 48 Stunden nicht benutzt wurden; wenn das Wasser 5 Tage lang nicht abgelassen wurde, spülen Sie die an das Wasserleitungsnetz angeschlossene Anlage aus.
- Der Mindestzeitraum, für den zur Reparatur des Geräts erforderlichen Ersatzteile erhältlich sind, beträgt je nach Art und Zweck des Ersatzteils 7 oder 10 Jahre und entspricht der Verordnung (EU) 2019/2019 der Kommission.
- Die Ersatzteilliste und das Bestellverfahren finden Sie auf den Websites des Herstellers, des Einführers und des Vertragshändlers.
- Weitere Informationen über das Produkt bietet die EU-Produktdatenbank EPREL auf der Website <https://eprel.ec.europa.eu>. Sie finden die Informationen, indem Sie den QR-Code auf dem Energieetikett scannen oder das auf dem Energieetikett angegebene Produktmodell in die EPREL-Suchmaschine auf der Website <https://eprel.ec.europa.eu/> eingeben.

INBETRIEBNAHME UND BETRIEBSBEDINGUNGEN DES GERÄTES

Dieser Kühlgerät ist nicht für den Einbau bestimmt.

Vorbereitung für den ersten Betrieb

- Das Gerät auspacken. Klebebänder entfernen. Eventuell verbliebene Kleberreste können mit einem milden Reinigungsmittel beseitigt werden.
- Die aus geschäumtem Polystyrol hergestellten Verpackungsteile nicht wegwerfen. Falls sich ein erneuter Gerätetransport als notwendig erweist, ist das Gerät mit Hilfe dieser Polystyrolelemente und der Folie einzupacken und mit einem Klebeband zu sichern.
- Das Innere des Gerätes und seine Ausstattungselemente mit lauwarmem Wasser unter Zusatz eines Geschirrspülmittels abwaschen und trocknen lassen.
- Das Gerät auf einem ebenen, horizontalen und stabilen Grund in einem trockenen und belüftbaren Raum aufstellen. Nicht direkter Sonnenbestrahlung aussetzen. Nicht in der Nähe von Wärmequellen wie Herde Heizkörper, Zentralheizung oder Heisswasser-Anlagen aufstellen.
- Entfernen Sie vor Inbetriebnahme des Geräts die Schutzfolie.
- Das Gerät sollte möglichst eben aufgestellt werden – Unterschiede können dank der höhenverstellbaren Füße ausgeglichen werden (Abb. 3).
- Damit freies Öffnen der Tür sichergestellt werden kann, wurde die Entfernung zwischen der Seitenwand des Gerätes (auf der Seite der Scharniere) und der Raumwand in der Abbildung 5 dargestellt.*
- Der Aufstellungsraum muss stets gut belüftet sein. (Abb. 6).*

Mindestabstände zu Wärmequellen

- zu Elektro- oder Gasherde u.ä. : 3 cm,
- zu Öl- oder Kohlebeistellherde : 30 cm,
- zu Einbaubacköfen - 5 cm

Wenn die oben genannten Mindestabstände nicht eingehalten werden können, muss eine geeignete Isolierplatte zur Reflexion der Wärmestrahlung verwendet werden.

Achtung:

- Die hintere Kühlschrankwand, insbesondere der Verdampfer und die Kühlsystembaugruppe, dürfen nicht mit den Rohren der Zentralheizung und eines Abflusssystems in Berührung kommen.
- Eine Manipulation des Kältemittelkreislaufs ist verboten.. Es ist darauf zu achten, dass das Kapillarrohr, das sich im Hohlraum der Kältemaschine befindet, nicht beschädigt wird. Dieses Rohr darf weder gebogen noch geknickt werden.
- Falls der Benutzer das Kapillarrohr beschädigt, verliert er seine Garantieansprüche. (Abb. 8).

- Der Türgriff befindet sich bei einigen Modellen im Innern des Geräts und muss noch montiert werden.

Elektrischer Anschluss

- Vor Inbetriebnahme des Geräts stellen Sie die Temperaturregelung auf „OFF“ oder in eine Position, die das Gerät vom Stromnetz trennt (s. Steuerungsbeschreibung)
- Das Gerät ist an eine 230V / 50 Hz Wechselstromleitung über eine vorschriftsmäßig installierte, geerdete und durch eine 10A –Sicherung geschützte Steckdose anzuschließen.
- Das Gerät erfüllt die VDE – Norm. Der Hersteller lehnt jede Haftung für eventuell entstandene Schäden ab, deren Ursachen auf das Nichtbefolgen dieser Vorschrift zurückzuführen sind.
- Keine Adapter, Mehrfachstecker oder zweiadrige Verlängerungskabel ohne Nullleiter verwenden. Sollte ein Verlängerungskabel nötig sein, muss es der VDE/GS – Norm entsprechen.
- Verlängerungsschnur verwendet wird, muss sich die Steckdose in einem sicheren Abstand zu Amaturen mit fließendem Wasser befinden.
- Die Daten auf dem Typenschild, das im Inneren des Kühlschranks angebracht ist, sind unbedingt zu beachten**.

Gerät vom Stromnetz trennen

Das Gerät muss problemlos vom Stromnetz zu trennen sein, indem man den Stecker herauszieht oder den zweipoligen Schalter betätigt. (Abb. 9).

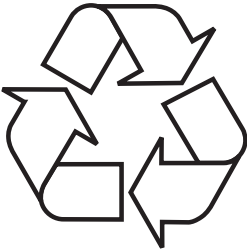
KLIMAKLASSE

Die Information über die Klimaklasse des Gerätes befindet sich auf dem Typenschild. Sie zeigt, in welcher Umgebungstemperatur (d.h. Temperatur des Raumes, in dem das Gerät betrieben wird) das Gerät optimal funktioniert.

Klimaklasse		Zulässige Umgebungstemperatur
SN	subnormal	Das Kühlgerät ist für Umgebungstemperaturen von 10 °C bis 32 °C geeignet.
N	normal	Das Kühlgerät ist für Umgebungstemperaturen von 16 °C bis 32 °C geeignet.
ST	subtropisch	Das Kühlgerät ist für Umgebungstemperaturen von 16 °C bis 38 °C geeignet.
T	tropisch	Das Kühlgerät ist für Umgebungstemperaturen von 16 °C bis 43 °C geeignet.

* Gilt nicht für Einbau-Geräte
 ** Modell abhängig

AUSPACKEN



Das Gerät wird gegen Transportschäden geschützt. Nach dem Auspacken sind die Verpackungsmaterialien so zu entsorgen, dass dadurch kein Risiko für die Umwelt entsteht. Alle Materialien, die zur Verpackung verwendet werden, sind umweltverträglich, können hundertprozentig wiederverwertet werden und sind mit entsprechendem Symbol gekennzeichnet.

Hinweis! Die Verpackungsmaterialien (Polyethylenbeutel, Styroporstücke usw.) sind beim Auspacken außer Kinderreichweite zu halten.

ENTSORGUNG VON ALTGERÄTEN



Dieses Gerät wurde gemäß der Europäischen Richtlinie 2012/19/EG. Eine solche Kennzeichnung informiert darüber, dass dieses Gerät nach dem Ablauf des Nutzungszeitraumes nicht zusammen mit anderen Hausabfällen gelagert werden darf.

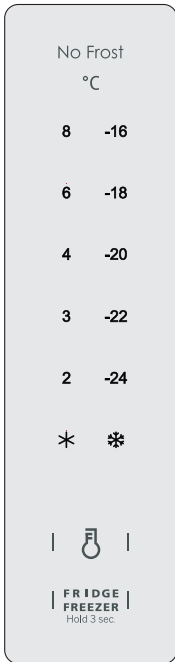
Der Benutzer ist verpflichtet, das Gerät an einem Sammelpunkt für verschlissene elektrische und elektronische Geräte abzugeben. Die die Sammlung durchführenden Einheiten, darunter lokale Sammelpunkte, Geschäfte und gemeindeeigene Einheiten, bilden ein entsprechendes System, welches die Abgabe dieses Gerätes ermöglicht.

Die richtige Vorgehensweise mit Elektro- und Elektronikschrott trägt zur Verhinderung schädlicher Folgen für die menschliche Gesundheit und die natürliche Umwelt bei, die aus der Anwesenheit von Schadstoffen sowie einer falschen Lagerung und Weiterverarbeitung solcher Materialien folgen.

STEUERUNG

Steuerung des Geräts

Das Bedienfeld ist in Abbildung 10 dargestellt. Zur Information ist es auch nachfolgend abgebildet:



| | - Änderung der Temperatur im Kühlschrank

| | - Änderung der Funktion des Geräts

Beim ersten Anschließen des Geräts an den Netzstrom leuchten alle Symbole auf und es werden automatisch die Gefrierfunktion und die Temperatur von -20°C eingestellt.

Das Gerät verfügt über eine Speicherfunktion. Nach einem Stromausfall wird, wenn der Strom zurückkehrt, automatisch die vorher eingestellte Temperatur wieder aktiviert.

Änderung der Funktion des Geräts

Um die Funktion des Geräts von Kühlen auf Gefrieren oder umgekehrt umzustellen, müssen Sie den Sensor | | 3 Sekunden lang halten, bis im zweiten Feld die Temperatur erscheint.

Um die Temperatur im Gerät zu ändern, drücken Sie wiederholt den Sensor | |

Superkühlfunktion - Drücken Sie in der Kühlfunktion wiederholt den Sensor | |, bis das Symbol * aufleuchtet - die Temperatur im Kühlschrank verringert sich auf +2°C. Die Funktion schaltet sich nach Ablauf von 150 Minuten automatisch aus bzw. wenn Sie mit dem Sensor | | eine andere Temperatur einstellen.

Supergefrierfunktion - Drücken Sie in der Gefrierfunktion wiederholt den Sensor | |, bis das Symbol * aufleuchtet - die Temperatur im Gefrierschrank verringert sich auf -24°C. Die Funktion schaltet sich nach Ablauf von 24 Stunden automatisch aus bzw. wenn Sie mit dem Sensor | | eine andere Temperatur einstellen.

Hinweis: Wenn Sie die Funktion des Geräts von Gefrieren auf Kühlen umstellen, nehmen Sie alle eingefrorenen Produkte heraus und legen Sie nach einer Stunde die frischen Lebensmittel, die gekühlt werden sollen, in den Kühlschrank. Räumen Sie frische Lebensmittel nicht vor Ablauf einer Stunde in das Gerät, da sich sonst Reif auf ihnen bildet.

Fehlercodes:

Fehlercode	Signalisierung (gleichzeitiges Blinken)		Beschreibung
	Kühlschrank	Gefrierfach	
E1	* und 2	* und -24	Fehler des Temperaturfühlers
E4	* und 3	* und -22	Fehler des Temperaturfühlers des Heizelements
E6	2 und 4	-24 und -20	Kommunikationsfehler
E7	* und 4	* und -20	Fehler des Umgebungstemperaturfühlers
E10	2 und 3	-24 und -22	Steuerungsfehler

BEDIENUNG UND FUNKTIONEN

Aufbewahren der Lebensmittel im Kühl- und Gefrierraum

- Die Lebensmittel sollten auf Tellern, in Behältern oder in für Lebensmittel bestimmte Folie verpackt aufbewahrt werden. Sie sind gleichmäßig auf den Abstellflächen zu verteilen.
- Es ist zu beachten, dass die Lebensmittel die hintere Kühlraumwand nicht berühren, da es sonst zur Reif- oder Feuchtigkeitsbildung auf dem Gefriergut kommen kann.
- Keine heißen Speisen in den Kühlschrank legen.
- Lebensmittel, die leicht fremde Gerüchen annehmen, und solche mit einem starken Eigengeruch sind in den Kühlfächern in Folienverpackung oder festverschliessbaren Gefässen aufzubewahren.
- Gemüse mit einem hohen Wassergehalt kann die Freisetzung von Wasserdampf verursachen, der jedoch die Kühlfunktion nicht beeinträchtigt.
- Vor dem Einlegen in den Kühlraum muss das Gemüse gut abgetrocknet werden.
- Ein übermäßiger Wassergehalt im Kühlgut (Blattgemüse) verkürzt die Aufbewahrungszeit.
- Vor dem Einlegen in den Kühlraum darf das Gemüse nicht gewaschen werden, da das Waschen einen natürlichen Schutz beseitigt. Deswegen empfiehlt es sich, das Gemüse erst vor dem Verzehr zu waschen.
- Die Produkte sind in die Körbe 1, 2 und 3* zu legen, bis die natürliche Befüllungsgrenze erreicht ist (Abb. 11a / 11b).**

1. Verpackte Produkte
2. Flaschenablage
3. Natürliche Befüllungsgrenze
4. ❌❌❌

- Die Lagerung von Produkten in den Drahtfächern des Kühlschranks-Verdampfers ist zulässig.*
- Produkte in den einzelnen Fächern dürfen 2 – 3 cm über der Befüllungsgrenze gelagert werden.**
- Um mehr Lagerungsraum im Gefrierfach zu erhalten, kann man die Schubfächer 1 und 2 entfernen und die Produkte in die Metallregale des Verdampfers legen.*

Tiefkühlung der Lebensmittel**

- Fast alle Lebensmittel eignen sich zum Einfrieren, ausgenommen roh zu verzehrendes Gemüse, z.B. Blattsalat.
- Nur hochqualitative Lebensmittel sind zum Einfrieren geeignet. Das Gefriergut sollte kleinportioniert sein.
- Lebensmittel sind in geruchfreies, luft- und feuchtigkeitsdichtes, sowie fett- und laugenunempfindliches Material zu verpacken. Polyethylen- und Aluminiumfolie sind am besten geeignet.
- Die Verpackung muss dicht sein und an dem Gefriergut fest anliegen. Glasbehälter sind nicht zu verwenden.
- Es wird empfohlen, bereits eingefrorene Produkte so zu lagern, dass sie mit den einzufrierenden, frischen Lebensmitteln keine Berührung haben.

- Es wird empfohlen, die Menge der zum Einfrieren vorgesehenen Frischprodukte entsprechend der technischen Gegebenheiten des Geräts (s. Tabelle) zu berechnen.
- Wir empfehlen, die gefrorenen Portionen auf eine Seite der Gefrierkammer zu schieben und die frischen Portionen auf die andere Seite zu legen.
- Zum Einfrieren der Produkte den mit diesen Zeichen markierten Raum **❄️***** benutzen.
- Die Temperatur im Gefrierraum ist von folgenden Faktoren abhängig: Aussentemperatur, Befüllung des Kühlschranks, häufiges Türenöffnen, Menge des abgelagerten Reifbeschlags und die Einstellung des Thermostaten.
- Lässt sich die Tür nicht sofort nach dem Schliessen wieder öffnen, empfiehlt es sich, 1 bis 2 Minuten zu warten, bis sich der entstandene Unterdruck ausgeglichen hat.

Die Aufbewahrungszeit der tiefgekühlten Produkte ist von ihrer Qualität sowie der Aufbewahrungstemperatur abhängig. Bei einer Temperatur von -18°C oder niedriger sollte folgende Aufbewahrungsdauer eingehalten werden:

Produkte	Monate
Rindfleisch	6-8
Kalbsfleisch	3-6
Innereien	1-2
Schweinefleisch	3-6
Geflügel	6-8
Eier	3-6
Fisch	3-6
Gemüse	10-12
Obst	10-12

Das Schnellgefrierfach ist fürs Aufbewahren tiefgefrorener Lebensmittel nicht geeignet. In diesem Fach können Eiswürfel hergestellt und aufbewahrt werden.

Hinweis: Wenn das Gerät kein Gefrierfach **❄️***** besitzt, bedeutet das, dass der Kühlschrank nicht zum Einfrieren von Lebensmitteln geeignet ist.

* Gilt für Geräte mit einem Gefrierfach im unteren Bereich des Gerätes.

** Gilt für Geräte mit einem Gefrierfach **❄️*****

*** Gilt nicht für Geräte mit einem Gefrierfach gekennzeichnet mit **❄️*****

ENERGIESPARENDE NUTZUNG DES KÜHLSCHRANKS

Praktische Ratschläge

- Tiefkühltruhe nicht in der Nähe von Heizkörpern oder Backöfen aufstellen und nicht direkter Sonneneinstrahlung aussetzen.
- Sicherstellen, dass die Belüftungsöffnungen nicht verdeckt sind. Ein- bis zweimal pro Jahr sind die Belüftungsöffnungen von Staub zu reinigen.
- Die richtige Temperatur einstellen: Eine Temperatur von 6 bis 8°C im Kühlschrank und -18°C im Tiefkühlfach sind ausreichend.
- Bei längerer Abwesenheit, z.B. im Urlaub, ist die Temperatur im Kühlschrank zu erhöhen.
- Ein unnötiges Öffnen der Tür des Kühl- oder Tiefkühlschranks ist zu vermeiden. Unverbrauchte Produkte sind so schnell wie möglich wieder in den Kühl- oder Tiefkühlschrank zurückzulegen, bevor sie sich erwärmen.
- Das Innere des Kühlschranks ist regelmäßig mit einem in Reinigungsmittel getränkten Lappen auszuwischen. Geräte ohne automatische Abtaufunktion müssen regelmäßig abgetaut werden. Die Entstehung einer Eisschicht von mehr als 10 mm muss vermieden werden.
- Die Türdichtung ist sauber zu halten, ansonsten schließt die Tür nicht vollständig. Eine beschädigte Dichtung muss ausgewechselt werden.

Was bedeuten die Sterne?



Bei einer Temperatur von -6°C können tiefgegekühlte Lebensmittel ungefähr eine Woche lang aufbewahrt werden. Mit einem Stern gekennzeichnete Schubladen oder Fächer sind (meistens) in preiswerteren Noname-Kühlschränken zu finden.



Bei einer Temperatur von -12°C können Lebensmittel für 1-2 Wochen ohne Geschmacksverlust gelagert werden. Diese Temperatur ist jedoch für das Einfrieren von Lebensmitteln nicht ausreichend.



Zum Einfrieren von Lebensmitteln werden hauptsächlich Temperaturen unter -18°C verwendet. Dies ermöglicht das Einfrieren von frischen Lebensmitteln mit einem Gewicht bis zu 1 kg.



So gekennzeichnete Geräte ermöglichen die Aufbewahrung von Lebensmitteln bei einer Temperatur von unter -18°C und das Einfrieren größerer Mengen an Lebensmitteln.

Zonen im Kühlschrank

Aufgrund der natürlichen Luftzirkulation entstehen im Kühlschrank unterschiedliche Temperaturzonen.

- Der kälteste Bereich befindet sich direkt oberhalb der Gemüsefächer. In dieser Zone sind empfindliche und leicht verderbliche Lebensmittel aufzubewahren, wie:
 - Fisch, Fleisch, Geflügel
 - Aufschnitt, Fertiggerichte
 - ei- oder sahnehaltige Gerichte
 - frischer Kuchen, verschiedene Kuchen- sorten,
 - verpacktes Gemüse und andere frische Lebensmittel, deren Etikett eine Lage- rung bei einer Temperatur von ca. 4°C vorschreibt.
- Im oberen Teil der Tür herrscht die höchste Temperatur. Hier sollte am besten Butter und Käse aufbewahrt werden.

Produkte, die nicht im Kühlschrank aufbewahrt werden sollten.

- Nicht alle Produkte eignen sich zur Aufbewahrung im Kühlschrank. Zu ihnen gehören:
 - Gegen tiefe Temperaturen empfindliches Obst und Gemüse, wie zum Beispiel Bananen, Avocados, Papayas, Maracujas, Zucchini, Paprika, Tomaten und Gurken.
 - Unreife Früchte
 - Kartoffeln.

Achtung:

Beispiel für die Lagerung von Lebensmitteln im Gerät (Abb. 12)

Damit sich die Lebensmittel so gut und so lange wie möglich halten und nicht verderben, sollten sie wie in Abb. 12 gezeigt im Kühlschrank untergebracht werden. Die Abbildung zeigt außerdem die beste Anordnung der Schubladen, Körbe und Fachböden im Hinblick auf einen möglichst effektiven Energieverbrauch des Geräts.

Durch die Aufbewahrung der Lebensmittel bei geeigneten Bedingungen und Temperaturen halten sich die Lebensmittel länger, und der Stromverbrauch wird optimiert. Auf den Verpackungen oder Etiketten der Lebensmittel ist normalerweise angegeben, bei welchen Temperaturen sie aufbewahrt werden sollten.

ABTAUEN, REINIGEN UND PFLEGEN

Zum Reinigen des Gehäuses und der Kunststoffteile des Erzeugnisses keine Lösungsmittel sowie scharfe und Scheuerreinigungsmittel anwenden (z.B. Reinigungsmittel- bzw. -milch)! Nur delikate flüssige Mittel und weiche Tücher verwenden. Keine Schwämme verwenden.

Abtauen des Kühlraumes***

- An der hinteren Kühl- raumwand lagert sich Reif ab, der automatisch abgetaut wird. Beim Abtauen können mit den Kondensattropfen auch Verunreinigungen in die Trichteröffnung der Rinne gelangen und dadurch die Ablassöffnung verstopfen. Um dies zu verhindern, sollte diese mit Hilfe des mitgelieferten Reinigungsinstruments vorsichtig durchstochen werden (Abb.13)
- Das Gerät arbeitet zyklisch: Während des Kühlprozesses lagert sich an der hinteren Wand ein Reifbeschlag ab. Dieser wird abgetaut, das Wasser sammelt sich in der Auffangvorrichtung.
- Vor dem Reinigen sollte das Gerät durch das Herausziehen des Steckers aus der Steckdose, durch das Ausschalten oder durch das Herausnehmen der Sicherung vom Stromnetz getrennt werden. Nicht zulassen, dass das Wasser in die Bedien- blende oder Beleuchtung gelangt.
- Wir empfehlen, keine Auftaumittel in Sprayform zu verwenden. Sie können die Entstehung von explosiven Aerosolen verursachen. Lösungsmittel, die die Plastikteile des Gerätes schädigen, enthalten oft auch gesundheitsgefährdende Substanzen.
- Kein Reinigungswasser darf durch die Ablassöffnung in den Abdampfbehälter gelangen.
- Das gesamte Gerät, ausgenommen die Türdichtung, sollte mit einem milden Reinigungsmittel gereinigt werden. Die Türdichtung nur mit klarem Wasser abwischen und trocknen lassen.
- Alle Ausstattungselemente sollen sorgfältig gereinigt werden (Obst- und Gemüsefach, Türfächer, Glasplatten, usw.).

Abtauen des Gefrierraumes**

- Es wird empfohlen, das Gerät regelmäßig abzutauen und zu reinigen.
- Eisablagerungen an den Gefrierflächen vermindern die Effizienz des Gerätes und bewirken eine Steigerung des Energieverbrauchs.
- Es empfiehlt sich, das Gefriergerät mindestens ein- oder zweimal im Jahr abzutauen. Sollte sich mehr Eis bilden, sollte man das Auftauen öfter durchführen.
- Befinden sich Lebensmittel im Gefrierraum, so ist der Temperaturregler 4 Stunden vor dem geplanten Abtauen auf „max.“ zu stellen. Dadurch wird die Aufbewahrung des Gefrierguts bei Raumtemperatur während einer längeren Zeit möglich.
- Das Gefriergut aus dem Gefrierraum herausnehmen, in eine Schüssel legen, mit einigen Schichten Zeitungspapier und einer Woldecke umwickeln und an einer kühlen Stelle aufbewahren.
- Das Abtauen sollte möglichst schnell erfolgen. Wenn die Lebensmittel über einen längeren Zeitraum bei Raumtemperatur aufbewahrt werden, verkürzt sich ihre Haltbarkeit

Abtauendes Gefriertraumes:**

- Schalten Sie das Gerät mit dem Steuerungspaneel ab und anschließend ziehen Sie den Netzstecker aus der Steckdose.
- Die Tür öffnen, die Produkte herausnehmen.
- Je nach dem Modell ziehen Sie den Abflusskanal im hinteren Bereich des Kühlgerätes und stellen Sie ein Gefäß darunter.
- Lassen Sie die Tür offen, dadurch erfolgt das Auftauen schneller. In die Kammer des Gefriergerätes kann zusätzlich ein Gefäß mit heißem (aber nicht kochendem) Wasser gestellt werden.
- Das Geräte innere auswischen und trocknen lassen.
- Das Gerät gemäß entsprechendem Kapitel der Gebrauchsanweisung wieder einschalten.

Automatische Abtaung des Kühlraumes***

Der Kühlraum ist mit einer automatischen Abtaufunktion ausgestattet. An der hinteren Kühlraumwand kann sich jedoch ein Reifbeslag ablagern. Es kommt vor allem vor, wenn im Kühlraum viele frische Lebensmittel aufbewahrt werden.

Automatische Abtaung des Gefriertraumes****

Der Kühlraum ist mit einer automatischen No-Frost-Abtaufunktion ausgestattet. Die Lebensmittel werden durch die gekühlte Umluft eingefroren, die Feuchtigkeit wird aus dem Gefriertraum nach Außen abgeführt. Im Gefriertraum entsteht daher kein Eis- und Reifbeslag und die Lebensmittel frieren nicht fest.

Reinigen des Kühl- und Gefriertraumes****

Es empfiehlt sich das Kühl- und Gefriertraum mindestens einmal im Jahr zu waschen.

Es wirkt vorbeugend gegen die Entstehung unangenehmer Gerüche sowie der Bakterien. Das Gerät durch das drücken des Knopfes „1“ ausschalten, die Lebensmittel herausnehmen und das Gerät mit einem milden Reinigungsmittel waschen und trocknen lassen.


Einbau und Ausbau der Abstellplatten *****

Abstellplatte herausnehmen und anschließend an der gewünschten Stelle bis zum Widerstand einschieben, so dass sich der Schnappverschluss in der Führungsleiste befindet (Abb. 15).

Einbau und Ausbau der Türfächer *****

Türfach anheben, herausziehen und von oben in die gewünschte Position einlegen (Abb. 16).

Auf keinen Fall dürfen im Inneren des Gefriertraumes elektrische Heizkörper, Heißluftgebläse oder Haartrockner eingesetzt werden.

** Gilt für Geräte mit einem Gefrierfach .

*** Gilt nicht für Geräte mit dem Frostfrei-System
Gilt für Geräte mit einem Kühlbereich.

**** Gilt nicht für Geräte mit dem Frostfrei-System

**** Gilt für Geräte mit dem Frostfrei-System

***** Gilt nicht für Gefriergeräte

LOKALISIERUNG VON STÖRUNGEN

Störung	Mögliche Ursachen	Behebung
Das Gerät funktioniert nicht	Unterbrechung im Stromkreis	<ul style="list-style-type: none"> - Überprüfen, ob der Netzstecker gut in der Steckdose des Speisernetzes sitzt. - Überprüfen, ob das Anschlußkabel nicht beschädigt ist. - Durch Anschließen eines anderen elektrischen Verbrauchers (z.B. einer Nachttischlampe) überprüfen, ob die Steckdose unter Spannung steht. - Überprüfen Sie, ob das Gerät eingeschaltet ist (Thermostat in Betriebsstellung). - Vorerst den vorherigen Punkt überprüfen (das Gerät funktioniert nicht - die Glühlampe festdrehen oder auswechseln (in Geräten mit Glühlampen)
Innenbeleuchtung funktioniert nicht	Die Glühlampe ist gelöst oder durchgebrannt (in Geräten mit Glühlampen)	<ul style="list-style-type: none"> - einen niedrigeren Wert einstellen
Das Gerät ist ununterbrochen in Betrieb	Falsche Temperatureinstellung Andere Ursachen wie unter Punkt "Die Temperatur in den Räumen ist nicht niedrig genug"	<ul style="list-style-type: none"> - befolgen Sie die Anweisungen unter Punkt "Die Temperatur in den Räumen ist nicht niedrig genug"
Im unterem Teil des Kühlraumes sammelt sich Wasser	Die Ablauföffnung ist verstopft (betrifft Geräte mit Entwässerungsöffnung) Eine freie Luftzirkulation im Kühlraum ist nicht möglich	<ul style="list-style-type: none"> - Mit Hilfe des Räumwerkstruments die Ablauföffnung durchstechen (siehe Gebrauchsanweisung, Kapite - Die Lebensmittel und Behälter von der Hinterwand wegrücken.
Es treten für das Gerät ungewöhnliche Geräusche auf	Das Gerät ist nicht eben ausgerichtet Das Gerät kommt mit Möbeln oder anderen Gegenständen in Berührung	<ul style="list-style-type: none"> - Das Gerät ausrichten. - Das Gerät frei aufstellen, so daß es keine andere Gegenstände berührt.

Störung	Mögliche Ursachen	Behebung
Die Temperatur in den Räumlichkeiten ist nicht niedrig genug	Falsche Temperatur-einstellung	-Einen höheren Wert einstellen
	Höhere oder niedrigere Umgebungstemperatur als in den technischen Daten (s.Tabelle) angegeben	- Das Gerät ist angepasst an die Temperatur, die in den technischen Daten (s.Tabelle) angegeben ist
	Das Gerät steht an einer direkt von der Sonne bestrahlten Stelle oder neben einer Wärmequelle	- Das Gerät an einer anderen Stelle gemäß Gebrauchsanweisung aufstellen. - Warten Sie bis zu 72 Stunden, bis die Lebensmittel eingefroren sind und die erwünschte Temperatur im Kühlraum erreicht ist.
	Es wurde eine zu große Menge von warmen Lebensmitteln auf einmal eingelagert	- Die Lebensmittel und Behälter von der Hinterwand abrücken
	Keine freie Luftzirkulation im Kühlraum	- Das Gerät mindestens 3 cm von der Wand wegrücken.
	Der Luftfluß hinter dem Gerät ist blockiert	Beides muss unbedingt vermieden werden
	Die Kühlraum-/ Gefrierraumtür wird zu oft geöffnet und/oder bleibt zu lange offen	Die Lebensmittel und Behälter anders platzieren - prüfen, ob die Umgebungstemperatur nicht niedriger ist als der Klimaklasse des Gerätes entspricht
	Die Tür lässt sich nicht schließen	- Die Türdichtung einpressen
Der Verdichter schaltet selten an		
Die Türdichtung wurde falsch angebracht		

Beim normalen Betreiben der Kälteanlagen können Geräusche unterschiedlicher Art auftreten, die keinen Einfluss auf den Betrieb des Kühlschranks haben.

Geräusche, die leicht zu beheben sind:

- Lautes Betriebsgeräusch, wenn der Kühlschrank nicht senkrecht steht – Stellung durch die Stellschrauben vorne verändern. Eventuell unter die Rollen hinten weichen Stoff legen, vor allem, wenn das Gerät auf einem Fliesenboden steht.
- Reibung an benachbarte Möbel – Kühlschrank abrücken, so dass er frei steht.
- Quietschen von Fächern und Schubladen – Fach oder Schublade herausnehmen und wieder einschieben.
- Geräusche von sich berührenden Flaschen – Flaschen voneinander verschieben.

Geräusche, die bei normalem Betrieb zu hören sind, entstehen durch den Thermostaten, wenn sich der Kompressor einschaltet, sich das Kühlsystem zusammenzieht oder ausdehnt und wenn Temperaturschwankungen aufgrund des Durchflusses von Kühlmittel in den Röhren entstehen.

GARANTIE, NACHVERKAUF-SERVICE

Garantie

Garantieleistungen laut Garantieschein. Der Hersteller übernimmt keine Haftung für Schäden, die durch den unsachgemäßen Betrieb des Produkts entstanden sind.

Wartung

- Der Hersteller empfiehlt, jegliche Reparaturen und Einstellarbeiten von einem Werksservice oder vom Hersteller autorisierten Kundendienst durchführen zu lassen. Aus Sicherheitsgründen sollten Sie das Gerät nicht selbst reparieren.
- Von Personen ohne die erforderlichen Qualifikationen durchgeführte Reparaturen können für den Gerätebenutzer eine ernste Gefahr verursachen.
- Die vom Hersteller, Einführer oder Vertragshändler gewährte Mindestgarantiezeit für das Gerät ist im Garantieschein angegeben.
- Im Fall unbefugter Anpassungen, Änderungen, der Verletzung von Plomben oder anderer Sicherheitsvorrichtungen des Geräts oder Teilen davon, sowie im Fall sonstiger unbefugter Manipulationen am Gerät, die nicht der Bedienungsanleitung entsprechen, verfällt die Garantie für das Gerät.

Reparaturmeldungen und Hilfe bei Fehlern


Wenn das Gerät repariert werden muss, wenden Sie sich bitte an den Kundendienst. Die Adresse und Rufnummer des Kundendienstes sind im Garantieschein angegeben. Halten Sie, wenn Sie den Kundendienst anrufen, bitte die Seriennummer des Geräts bereit. Diese befindet sich auf dem Typenschild. Notieren Sie sich die Seriennummer der Einfachheit halber am besten hier:

--	--	--	--	--	--	--	--	--	--	--	--	--	--	--

CE-Konformitätserklärung

Der Hersteller dieses Produktes erklärt hiermit in alleiniger Verantwortung, dass dieses Produkt den einschlägigen, grundlegenden Anforderungen der nachfolgenden EU-Richtlinien entspricht:

- **Niederspannungsrichtlinie 2014/35/EG**
- **Elektromagnetische Verträglichkeit 2014/30/EG**
- **ErP – Richtlinie 2009/125/EG**
- **Richtlinie RoHS 2011/65/EG**

Das Gerät ist mit dem  Zeichen gekennzeichnet und verfügt über eine Konformitätserklärung zur Einsichtnahme durch die zuständigen Marktüberwachungsbehörden.

Cher Client

À partir d'aujourd'hui les tâches quotidiennes deviennent encore plus faciles. Cet appareil **Amica** combine une facilité d'utilisation exceptionnelle à une efficacité parfaite. Après la lecture du mode d'emploi, l'utilisation de l'appareil ne vous posera aucun problème.

La sécurité et la fonctionnalité de l'équipement sorti d'usine ont été soigneusement vérifiées sur les postes de contrôle avant son emballage.

Prière de lire attentivement le mode d'emploi avant la mise en fonctionnement de l'appareil. Respecter ses indications vous protégera contre toute utilisation incorrecte. Garder le mode d'emploi dans un endroit accessible.

Respecter les instructions de ce mode d'emploi afin d'éviter des accidents.

Respectueusement

Amica

CONSIGNES DE SECURITÉ D'UTILISATION

- L'appareil n'est destiné qu'à un usage domestique.
- Le fabricant se réserve le droit d'apporter des modifications qui n'affectent pas le fonctionnement de l'appareil.
- Certaines notes de ce mode d'emploi sont les mêmes pour différents types de produits réfrigérants (réfrigérateurs, réfrigérateurs-congérateurs et congérateurs)
- Le fabricant n'assume aucune responsabilité pour des dommages causés par une utilisation non conforme aux instructions.
- Veuillez garder cette notice dans le but de s'en servir en avenir soit de la transmettre à un éventuel utilisateur future.
- Cet appareil n'est pas conçu pour être utilisé par des personnes (y compris les enfants) à aptitudes physiques, sensorielles ou mentales réduites ainsi que par des personnes manquant d'expérience et de connaissances à moins que cette utilisation s'effectue sous la surveillance ou en accord avec la notice d'utilisation remise par les personnes responsables de la sécurité.
- Veillez à ce que les enfants sans surveillance n'utilisent pas l'appareil. Ne les laissez pas jouer avec l'appareil. Il est interdit qu'ils s'assoient sur les éléments sortants ainsi qu'ils se penchent sur la porte.
- Le frigo congélateur fonctionne convenablement à la température ambiante qui est indiquée dans le tableau des spécifications techniques. Évitez de placer l'appareil dans une cave, un vestibule ou dans un chalet sans chauffage en automne et en hiver.
- Pendant le placement, le déplacement, le soulèvement ne saisissez pas les poignées des portes, ne tirez pas par le réfrigérant à l'arrière du réfrigérateur ainsi que ne touchez pas le groupe compresseur.
- Pendant le transport, le déplacement et le placement, le réfrigérateur/congélateur ne doit pas être basculé de plus de 40° de la ligne verticale. Si pour-

tant une telle situation arrive, laissez l'appareil min. 2 heures après son placement sans le brancher (fig. 2).

- Avant chaque entretien courant débranchez l'appareil. Ne tirez pas par le cordon d'alimentation mais débranchez-le en saisissant la fiche de la prise.
- Les bruits comme des craquements ou des éclatements sont causés par des élargissements et des rétrécissements des pièces résultant des changements de température
- Pour des raisons de sécurité, il ne faut pas dépanner l'appareil de ses propres moyens. Les réparations faites par des personnes non qualifiées dans ce domaine peuvent constituer un danger à la sécurité de l'utilisateur de l'appareil.
- Au cas d'une panne du circuit frigorifique, aérez la pièce où se trouve l'appareil pendant quelques minutes (la pièce doit être au moins de 4m³ pour le produit du méthylpropane m/R600).
- Il ne faut pas congeler à nouveau les produits une fois décongelés même partiellement.
- Il ne faut pas stocker des boissons en bouteilles et en cannes et surtout des boissons pétillantes dans le compartiment congélateur. Les cannes et les bouteilles risquent d'éclater.
- Éviter le contact des produits sortis directement du congélateur (ex. les glaçons, les glaçons, etc.) avec la bouche. Leur température basse peut causer des gelures graves.
- Faites attention à ne pas détériorer le circuit frigorifique, par ex. par le piquage de canaux du produit frigorifique dans l'évaporateur, la rupture des tuyaux. Le fluide frigorigène jaillissant est inflammable. Au cas du contact du produit avec les yeux, rincez les avec de l'eau propre et immédiatement contactez le médecin.
- Il convient aussi d'éliminer ou de rendre impossible l'usage de la serrure de l'appareil usé afin que les enfants ne puissent pas s'enfermer dans la vieille installation.
- L'appareil est conçu pour stocker la nourriture, ne

- pas l'utiliser à d'autres fins.
- L'appareil doit être complètement débranché de l'alimentation (en retirant la prise d'alimentation) pour effectuer des tâches telles que le nettoyage, l'entretien ou le changement de son emplacement.
- Cet appareil peut être utilisé par des enfants âgés de 8 ans ou plus, par des personnes avec des capacités motrices, sensorielles ou mentales réduites et par des personnes dénuées d'expérience ou de connaissance de l'équipement uniquement si elles se trouvent sous surveillance et qu'elles aient été instruites auparavant au sujet de l'exploitation de l'appareil de façon sûre et qu'elles connaissent les dangers liés à l'exploitation de l'appareil. Les enfants ne devraient pas jouer avec l'appareil. Le nettoyage et la maintenance de l'appareil ne devraient pas être effectués par des enfants à moins qu'ils n'aient fini leurs 8 ans et ne soient surveillés par une personne appropriée.
- Afin d'obtenir plus d'espace dans le congélateur, retirez les tiroirs et placez vos produits directement sur les étagères. Cela n'a aucun effet sur les paramètres thermiques et mécaniques de l'appareil. Le volume utile du congélateur a été calculé sans les tiroirs



MISE EN GARDE : Risque d'incendie /
matières inflammables

- Les enfants de 3 à 8 ans peuvent placer et retirer des produits de l'appareil de réfrigération.

Pour éviter la contamination des aliments, suivre les consignes suivantes :

- L'ouverture prolongée de la porte peut augmenter la température dans les compartiments de l'appareil.
- Nettoyer régulièrement les surfaces qui entrent en contact avec les aliments et, selon l'accessibilité, les installations d'évacuation de l'eau.
- Conserver la viande crue et le poisson dans des récipients adaptés dans le réfrigérateur, pour qu'ils n'entrent pas en contact avec les autres aliments et

pour qu'ils ne s'égouttent pas dessus.

- Les compartiments deux étoiles servent à conserver dans le congélateur des aliments surgelés et à conserver et congeler la glace et les glaçons.
- Les compartiments une, deux ou trois étoiles ne servent pas à congeler des aliments frais.

	Types de compartiments	Température de conservation cible [°C]	Aliments adaptés
1	Réfrigérateur	+2≤+8	Œufs, aliments cuits, aliments emballés, fruits et légumes, produits laitiers, pâtisseries, boissons et autres aliments qui ne sont pas destinés à la congélation.
2	Congélateur ❄️***	≤-18	Fruits de mer (poisson, crevettes, moules), produits d'eau douce et à base de viande (3 mois recommandés, plus longtemps les produits sont conservés, moins savoureux et nutritifs ils sont), adapté pour les produits frais congelés.
3	Congélateur ***	≤-18	Fruits de mer (poisson, crevettes, moules), produits d'eau douce et à base de viande (3 mois recommandés, plus longtemps les produits sont conservés, moins savoureux et nutritifs ils sont), inadapté pour les produits frais congelés.
4	Congélateur **	≤-12	Fruits de mer (poisson, crevettes, moules), produits d'eau douce et à base de viande (2 mois recommandés, plus longtemps les produits sont conservés, moins savoureux et nutritifs ils sont), inadapté pour les produits frais congelés.
5	Congélateur *	≤-6	Fruits de mer (poisson, crevettes, moules), produits d'eau douce et à base de viande (1 mois recommandé, plus longtemps les produits sont conservés, moins savoureux et nutritifs ils sont), inadapté pour les produits frais congelés.
6	Compartiment sans étoile	-6≤0	Viande de porc, de bœuf fraîche, poisson, poulet, certains aliments traités emballés, etc. (il est recommandé de consommer le même jour, le mieux dans les 3 jours au maximum). Produits traités emballés partiellement (produits qui ne sont pas adaptés à la congélation)
7	Compartiment pour denrées hautement périssables	2≤+3	Viande de porc, de bœuf fraîche/congelée, poulet, produits d'eau douce, etc. (7 jours au-dessous de 0°C, au-dessus de 0°C il est recommandé de consommer le même jour, le mieux dans les 2 jours au maximum). Fruits de mer (au-dessous de 0°C pendant 15 jours, il est déconseillé de conserver ces aliments à une température supérieure à 0°C)

8	Compartiment de stockage de denrées alimentaires fraîches	0 ≤ +4	Viande de porc, de bœuf fraîche, poisson, poulet, aliments cuits, etc. (il est recommandé de consommer le même jour, le mieux dans les 3 jours au maximum).
9	Compartiment de stockage du vin	+5 ≤ +20	Vin rouge, blanc, effervescent, etc.

- Attention : conserver les produits selon les recommandations pour les compartiments ou selon les températures indiquées pour les produits donnés.
- Si l'appareil de réfrigération n'est pas utilisé et reste vide pendant une longue période, l'éteindre, le décongeler, le laver, le sécher et laisser sa porte ouverte pour éviter la formation de moisissure à l'intérieur.
- Nettoyage du distributeur d'eau (pour les produits avec le distributeur d'eau) : Nettoyer le réservoir d'eau, s'il n'a pas été utilisé pendant 48 heures ; si l'eau n'a pas été déversée pendant 5 jours, rincer l'installation d'eau raccordée au réseau de distribution d'eau.
- La période minimale où les pièces de rechange indispensables à la réparation de l'appareil sont accessibles est de 7 à 10 ans, selon le type et la destination de la pièce de rechange. Cette période est conforme au règlement (UE) 2019/2019 de la Commission.
- La liste des pièces de rechange et la procédure de commande sont disponibles sur les sites web du fabricant, de l'importateur ou du représentant agréé.
- Retrouvez plus d'informations sur le produit dans la base de données européenne EPREL à l'adresse <https://eprel.ec.europa.eu>. Vous pouvez obtenir les informations en scannant le code QR de l'étiquette énergétique ou un saisissant le modèle du produit de l'étiquette énergétique dans le moteur de recherche EPREL <https://eprel.ec.europa.eu/>

INSTALLATION ET CONDITIONS DE FONCTIONNEMENT DE L'APPAREIL

Cet appareil de réfrigération n'est pas destiné à être utilisé comme un appareil intégrable

Installation avant la première mise en marche

- Déballez l'appareil, enlevez les bandes adhésives protégeant les portes et l'équipement (4). Les éventuels restes du col peuvent être enlevés avec un détergent délicat.
- Garder les éléments en mousse de polystyrène. Au cas de nécessité du retransport du réfrigérateur/congélateur, emballez-le de la mousse de polystyrène et du film ainsi que protégez-le avec la bande adhésive.
- Lavez l'intérieur du réfrigérateur et du congélateur ainsi que les autres éléments de l'équipement avec de l'eau tiède avec du produit lave vaisselle et ensuite essuyez et séchez.
- Placez votre réfrigérateur/congélateur à niveau et en position stable à un sol solide, dans une pièce sèche, régulièrement aérée et non ensoleillée loin des sources de chaleur comme la cuisinière, le radiateur du chauffage central, le tuyau du chauffage central, l'installation de l'eau chaude, etc.
- Le film de protection qui peut recouvrir l'appareil le doit être retiré.
- Placez l'appareil à niveau en visant 2 pieds réglables à l'avant (fig. 3)
- Afin d'assurer une ouverture facile de la porte, la distance entre la paroi latérale de l'appareil (du côté des charnières) et la paroi de la pièce est illustrée sur la figure 5.*
- Assurez une ventilation convenable de la pièce ainsi que la libre circulation de l'air de tous les côtés de l'appareil (fig. 6).*

Les distances minimums des sources de chauffage

- des cuisinières électriques, à gaz et autres - 30 mm,
- des poêles à fuel ou à charbon - 300 mm,
- des fours de cuisine encastrables - 50 mm

S'il n'est pas possible de respecter les distances ci-dessus mentionnées, utilisez une plaque d'isolation.

Attention:

- La paroi arrière du réfrigérateur et surtout le réfrigérant et les autres éléments du circuit frigorifique ne peuvent pas rester en contact avec les autres éléments qui peuvent causer des endommagements et surtout (avec le tuyau du chauffage central et la tube d'amenée d'eau).
- Il est interdit de manipuler d'une façon quelconque des pièces d'agregat. Prenez les mesures de ne pas endommager la tube capillaire visible dans la cavité pour le compresseur. Cette tube ne peut pas être fléchi, redressée ni enroulée.
- L'endommagement de la tube capillaire par l'utilisateur le prive du droit de garantie (fig. 8).
- Pour certains modèles au choix, la poignée non fixée doit être récupérée à l'intérieur de l'armoire, puis vissée sur la porte avec son propre tournevis.

Raccordement au réseau électrique

- Avant le branchement, il est recommandé de régler la molette du thermostat sur la position „OFF” ou toute autre position provoquant la déconnexion de l'appareil de l'alimentation électrique (voir la page avec description des commandes),
- L'appareil doit être branché au réseau du courant alternatif 220-240V, 50Hz au moyen d'une prise murale correctement installée, mise à la terre et protégée par un coupe-circuit de 10 A.
- La mise à la terre de l'appareil est recommandée par la loi. Le fabricant renonce à une responsabilité quelconque à titre des endommagements éventuels qui peuvent subir les personnes ou les objets suite à ne pas remplir cette obligation imposée par cette règle.
- Il ne faut pas utiliser de raccords adaptatifs, de prises multiples (répartiteurs), de rallonges deux fils. S'il y a la nécessité d'utiliser un rallonge, il est permis d'utiliser qu'un rallonge avec un rouleau de sécurité, à prise unique ayant une attestation de sécurité VDE/GS.
- Au cas d'utilisation d'un rallonge (avec le rouleau de sécurité, ayant le signe de sécurité), sa prise doit être placée à une distance sûre des éviers et ne peut pas être exposée à être submerger de l'eau ainsi que des autres égouts.
- AVERTISSEMENT: Ne pas placer de socles mobiles de prises multiples ni de blocs d'alimentation portables à l'arrière de l'appareil
- AVERTISSEMENT: Lors du positionnement de l'appareil, s'assurer que le cordon d'alimentation n'est pas coincé ni endommagé.
- Les données se trouve sur la plaque signalétique placée en bas de la paroi à l'intérieur du compartiment réfrigérateur**.

Mise hors circuit

Il faut assurer la possibilité de débrancher l'appareil par le retrait de la fiche ou par l'éteint de l'interrupteur bipolaires (fig. 9)

Classe climatique

L'information sur la classe climatique de l'appareil se trouve sur la plaque signalétique. Il indique la température ambiante (c'est-à-dire de la pièce dans laquelle il fonctionne) du fonctionnement optimal (correct) de l'appareil.

Classe climatique		Température ambiante admissible
SN	tempérée élargie	l'appareil réfrigérant est destiné à une utilisation à une plage de températures comprise entre 10 °C et 32 °C
N	tempérée	l'appareil réfrigérant est destiné à une utilisation à une plage de températures comprise entre 16 °C et 32 °C
ST	subtropicale	l'appareil réfrigérant est destiné à une utilisation à une plage de températures comprise entre 16 °C et 38 °C
T	tropicale	l'appareil réfrigérant est destiné à une utilisation à une plage de températures comprise entre 16 °C et 43 °C

* Ne concerne pas les appareils encastrables

** Existe selon le modèle

DÉBALLAGE



Pour son transport, l'appareil a été emballé afin de le protéger contre les endommagements. Après déballage de l'appareil, prière d'éliminer les éléments de l'emballage d'une façon non nuisible à l'environnement. Tous les matériaux utilisés pour l'emballage sont inoffensifs pour l'environnement et recyclables à 100% (ils sont marqués par un symbole approprié)

Attention! Lors du déballage, garder les matériaux d'emballage (petits sacs polyéthylène, morceaux de polystyrène, etc.) hors de portée des enfants.

ÉLIMINATION DES APPAREILS USAGÉS



Cet appareil est marqué par le symbole du conteneur à déchets, rayé, conformément à la Directive Européenne 2012/19/CE. Ce symbole signale que le produit, après sa période d'utilisation, ne pourra pas être éliminé avec d'autres déchets ménagers.

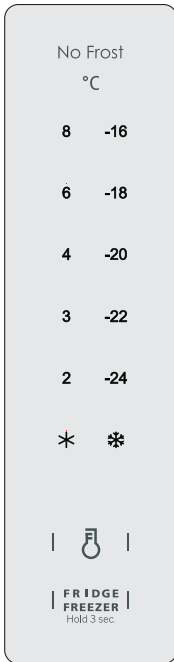
L'utilisateur est obligé de le rendre à un point de collecte des appareils électriques et électroniques usagés. De tels points de collecte sont mis en place par les communes, certains magasins et entreprises de ramassage des déchets.


Respecter les règles d'élimination des appareils électriques et électroniques permet d'éviter des conséquences nuisibles à la santé humaine et à l'environnement naturel, à cause de la possibilité de présence de constituants dangereux ou de transformations inappropriées à ce type d'appareil.

COMMANDE

Commande de l'appareil

Le panneau de commande est présenté sur le dessin 10. Il est montré également ci-dessous à titre indicatif :




 | - Modification de température à l'intérieur du compartiment


 | - Modification de la fonction de l'appareil



Lors du premier branchement de l'appareil à l'alimentation, toutes les icônes s'allument et ensuite, la fonction de congélation et la température -20°C seront réglées par défaut.



L'appareil dispose de la fonction de sauvegarde, après chaque panne de courant, la température réglée au préalable est rétablie.

Modification de la fonction de l'appareil

Pour modifier la fonction de l'appareil - de congélateur à réfrigérateur et l'inverse, appuyer sur et maintenir pressée la touche sensitive  pendant 3 secondes, la température dans la deuxième section s'allumera.

Pour modifier la température à l'intérieur de l'appareil, appuyer plusieurs fois sur la touche sensitive .

Super réfrigération - Dans la fonction du réfrigérateur, appuyer plusieurs fois sur la touche sensitive , jusqu'à ce que le symbole * soit éclairé, la température dans le réfrigérateur baissera jusqu'à +2°C. Cette fonction s'éteint automatiquement après 150 minutes ou si la température est changée à l'aide de la touche sensitive .

Super congélation- Dans la fonction du congélateur, appuyer plusieurs fois sur la touche sensitive , jusqu'à ce que le symbole * soit éclairé, la température dans le congélateur baissera jusqu'à -24°C. Cette fonction s'éteint automatiquement après 24 heures ou si la température est changée à l'aide de la touche sensitive .

Attention : En changeant la fonction de l'appareil (congélateur ou réfrigérateur), retirer tous les produits congelés et après une heure, placer les aliments frais qui doivent être refroidis. Ne pas placer les produits frais avant que l'heure ne s'écoule, car du givre se déposera dessus.

Codes d'erreur :

Code de l'erreur	Signalisation (clignotement en même temps)		Description
	Réfrigérateur	Congélateur	
E1	* et 2	* et -24	Erreur du capteur de température
E4	* et 3	* et -22	Erreur de température du capteur de l'élément chauffant
E6	2 et 4	-24 et -20	Erreur de communication
E7	* et 4	* et -20	Erreur du capteur de température ambiante
E10	2 et 3	-24 et -22	Erreur de commande


UTILISATION ET FONCTIONS

Conservation des denrées dans le réfrigérateur

- Mettez les produits sur des assiettes, dans des récipients ou emballés dans un film alimentaire. Disposez uniformément sur la surface des clayettes.
- Il convient d'attirer attention sur le fait que les produits alimentaires ne doivent pas entrer en contact avec la paroi arrière. Cela peut causer du givre ou de l'humidité sur les produits.
- Ne mettez pas au réfrigérateur des récipients d'aliments encore chaud.
- Les produits prenant rapidement des odeurs étrangères comme le beurre, le lait, le fromage blanc ainsi que ceux qui ont une odeur intensive comme par ex. les poissons, la charcuterie, les fromages doivent être mis au réfrigérateur emballés dans un film ou dans des récipients hermétiquement fermés.
- Le stockage des légumes contenant une grande quantité d'eau peut causer le dépôt de buée au-dessus des bacs à légumes; cela ne dérange pas le fonctionnement régulier du réfrigérateur.
- Avant l'introduction des légumes dans le réfrigérateur, il convient de bien les sécher.
- Un niveau d'humidité trop élevé diminue le temps de conservation des légumes surtout des légumes feuilles.
- Il convient de conserver les légumes non lavés. Le lavage enlève une protection naturelle c'est pourquoi il est préférable de laver des légumes tout juste avant la consommation.
- Il est permis de ranger les produits dans les paniers (tiroirs) 1, 2,3* (voir fig. 11a / 11b).**
 1. Les produits emballés
 2. Plateau de l'évaporateur / tablette
 3. Limite naturelle de chargement
 4. ✱***✱
- Il est possible de poser des produits sur les grilles de l'évaporateur du congélateur.*
- Il est possible de retirer les produits sur l'étagère de 20-30 mm de la limite naturelle de chargement.**
- Il est possible de retirer le panier inférieur pour augmenter la surface de chargement et poser les produits au fond de la chambre jusqu'à la hauteur maximale.*

Congélation des produits**


- Il est permis de congeler pratiquement tous les produits alimentaires à l'exception des légumes consommés crus comme par ex. la salade verte.
- Pour une meilleure congélation, il est recommandé d'utiliser des produits extra frais et de les congeler en petite portion.
- Il convient d'emballer les produits dans des matériaux sans odeur, résistants à la pénétration de l'air et d'humidité ainsi qu'insensibles aux matières grasses. Les emballages les plus appropriés sont: les sachets, les feuilles du film en polyéthylène, du film aluminium.
- L'emballage doit être hermétique et bien adhérent aux produits congelés. Les emballages en verre sont déconseillés.
- Les produits alimentaires frais (à température ambiante), mis dans le but d'être congelés ne doivent pas rester en contact avec les produits déjà congelés auparavant.

- Il est déconseillé de mettre dans le congélateur, en une fois par 24 heures, plus de nourriture fraîche que mentionné dans le tableau de spécification technique de l'appareil.
- Afin de garder une bonne qualité des produits congelés, il est conseillé de regrouper les produits congelés dans la partie centrale du congélateur de telle façon qu'ils ne restent pas en contact avec des produits encore non congelés.
- Nous conseillons de déplacer les portions congelées vers un côté du compartiment congélateur et mettre les portions fraîches à congeler du côté opposé en les poussant au maximum vers la paroi arrière latérale.
- Pour congeler les produits, utiliser un congélateur marqué .
- Il faut se rappeler que la température du compartiment réfrigérateur est influencée entre autres par: la température ambiante, le niveau de chargement des denrées, la fréquence d'ouverture de la porte, le niveau de givrage, la mise au point de thermostat.
- Si une difficulté d'ouvrir la porte du compartiment réfrigérateur se présente tout juste après sa fermeture, nous vous conseillons d'attendre 1 à 2 minutes jusqu'à ce que la dépression qui s'y est formée soit compensée.


Le temps de conservation des produits congelés dépend de leur qualité à l'état frais avant congélation ainsi que de la température de conservation. En conservant la température inférieure ou égale à -18°C les périodes de conservation suivantes sont conseillées:


Produits	Mois
Boeuf	6-8
Veau	3-6
Abats	1-2
Porc	3-6
Volaille	6-8
OEufs	3-6
Poissons	3-6
Légumes	10-12
Fruits	10-12

Le compartiment de refroidissement rapide ne sert pas à l'entreposage de nourriture surgelée. Il est possible de produire et d'entreposer uniquement des glaçons dans ce compartiment.

Attention : Si l'appareil ne possède pas de compartiment , ceci signifie que l'appareil réfrigérant n'est pas adapté aux besoins de congélation des produits alimentaires.

* Concerne les appareils avec une chambre de congélation dans la partie inférieure de l'équipement

** Concerne les appareils possédant une chambre de congélation 

*** Ne concerne pas les appareils équipés en chambres de congélation marquées par le symbole 

COMMENT EXPLOITER LE RÉFRIGÉRATEUR DE FAÇON ÉCONOMIQUE?

Conseils pratiques

- Ne pas placer le réfrigérateur ni le congélateur près des radiateurs, des fours ou risquer une influence directe des rayons du soleil.
- S'assurer que les cavités du condenseur à l'arrière ne sont pas obstruées. Les nettoyer et dépolluer une ou deux fois par an.
- Choisir une température appropriée: une température de 4°C dans le réfrigérateur ainsi que de -18°C dans le congélateur est suffisante.
- Il ne faut ouvrir la porte du réfrigérateur ou du congélateur qu'en cas de nécessité. Il est bon à savoir quelle nourriture est conservée dans le réfrigérateur ainsi que savoir précisément où elle se trouve. Il faut remettre le plus vite possible les produits non-utilisés dans le réfrigérateur ou dans le congélateur avant qu'elle ne se réchauffe.
- Nettoyez régulièrement l'intérieur du réfrigérateur à l'aide d'un tissu imbibé d'un détergent doux. Les appareils ne possédant pas de fonction de dégivrage automatique devront être régulièrement dégivrés. Ne pas permettre la formation d'une couche de givre d'une épaisseur de plus de 10 mm.
- Maintenez propre le joint autour de la porte, autrement la porte risque de ne pas se fermer complètement. Il faut toujours remplacer les joints endommagés.

Que veulent dire les étoiles?



Une température d'au moins -6°C suffit pour stocker les aliments surgelés pendant environ 2-3 jours. On rencontre le plus souvent des tiroirs ou compartiments ayant le symbole de l'étoile dans les réfrigérateurs bon marché.



On peut stocker les aliments dans une température de -12°C pendant 1 mois sans risquer qu'ils perdent leur goût. Cette température n'est pas suffisante pour congeler les aliments.



Permet de stocker des aliments déjà congelés pendant 1 an maximum; mais ne permet PAS de congeler des aliments frais.



Cet appareil convient à stocker des aliments dans une température en-dessous de -18°C et de congeler de plus grandes quantités d'aliments.

Zones de stockage dans le réfrigérateur

En raison de la circulation normale de l'air, le caisson du réfrigérateur contient différentes zones de température.

- La zone la plus froide se trouve directement au-dessus du tiroir à légumes. Il faut conserver dans cette zone des aliments délicats et facilement pourrissables, tels que:
 - Les poissons, la viande, la volaille,
 - Les charcuteries, les plats préparés,
 - Les plats ou produits cuits contenant des œufs ou de la crème,
 - De la pâte fraîche, des mélanges de gâteaux,
 - Des légumes emballés et autres aliments frais ayant une étiquette suggérant que ces aliments doivent être maintenus dans une température approximative de 4°C.
- La zone la plus chaude se trouve dans la partie haute de la porte. Utilisez ce secteur pour y conserver du beurre et du fromage.

Produits qui ne devraient pas être stockés dans le réfrigérateur

- Certains aliments ne doivent pas être conservés dans le réfrigérateur. Ce sont:
 - Les fruits et légumes sensibles aux basses températures, comme par exemple les bananes, l'avocat, la papaye, le fruit de la passion, les aubergines, les poivrons, les tomates et les concombres,
 - Les fruits qui ne sont pas encore mûrs,
 - Les pommes de terre

Attention:

Exemple de gestion des produits congelés (fig. 12)

Pour assurer la meilleure conservation des aliments pendant longtemps et éviter leur gaspillage, disposer les produits comme montré sur la Fig. 12. De plus, la figure montre la disposition des compartiments, des tiroirs et des clayettes qui permet l'utilisation la plus efficace de l'énergie par l'appareil.

La conservation des produits alimentaires dans des conditions et une température adaptées prolonge leur limite de consommation et optimise la consommation d'énergie électrique. Les plages de températures devraient être indiquées sur les emballages et les étiquettes des produits alimentaires.

DÉGIVRAGE, NETTOYAGE ET CONSERVATION

Pour le nettoyage du châssis et des pièces en plastique ne jamais utiliser de solvants ni de produits de nettoyage agressifs et abrasifs (par exemple des poudres ou des crèmes de nettoyage)! Utiliser uniquement des produits de nettoyage liquides délicats et des torchons doux. Ne pas utiliser le côté abrasive des éponges.

Dégivrage du réfrigérateur***

- Le givre qui se forme sur la paroi arrière s'élimine automatiquement. Pendant le dégivrage, les impuretés peuvent pénétrer dans l'orifice de la gouttière avec de l'eau condensée. Ce qui peut entraîner le blocage de l'orifice. Dans ce cas il convient de déboucher délicatement le trou avec une broche de poussée (fig. 13).
- L'appareil fonctionne cycliquement: réfrigère (alors que le givre s'installe sur la paroi arrière) ensuite se dégivre (les gouttes ruissellent sur la paroi arrière).
- Avant le nettoyage, il convient de déconnecter absolument l'appareil du circuit alimentation en débranchant la fiche de la prise de courant. Veillez à ce que l'eau ne s'introduise pas dans le panneau de commande ou dans le système d'éclairage.
- N'utilisez pas pour le dégivrage de substances en aérosol. Elles peuvent causer la formation de mélanges explosifs, contenir des dissolvants pouvant endommager les parties en plastique de l'appareil jusqu'à même être dangereux pour la santé.
- Il convient de veiller à ce que l'eau utilisée pour le nettoyage ne s'introduise pas dans le récipient d'évaporation par l'orifice d'évacuation.
- En dehors des joints sur la porte, il convient de nettoyer l'appareil entier avec les détergents délicats. Lavez les joints sur la porte à l'eau tiède et essuyez à sec.
- Il convient de nettoyer convenablement tous les équipements internes (bacs à légumes, balconnets, clayettes en verre etc.).

Dégivrage du congélateur**

- Il est conseillé de dégivrer le compartiment congélateur en même temps que le nettoyage de l'appareil.
- Une forte accumulation de la couche de glace sur les surfaces de congélation diminue le rendement de l'appareil ce qui entraîne une augmentation de consommation de l'énergie électrique.
- Il est conseillé de dégivrer l'appareil au moins une ou deux fois par an. En cas d'une importante accumulation de glace, le dégivrage doit être effectué plus souvent.
- Si à l'intérieur de l'appareil se trouvent des aliments, il convient de positionner le sélecteur rotatif sur la position maximale à peu près 4 heures avant la décongélation. Ceci garantit la possibilité de conservation des produits alimentaires à la température ambiante pendant une durée plus longue.
- Après avoir sorti les aliments du congélateur il convient de les mettre dans un sac isotherme, une glacière ou bien en les enveloppant de plusieurs couches de papier journal et ensuite les conserver dans un endroit frais.
- Le dégivrage du congélateur doit être réalisé le plus vite possible. Une conservation de longue durée des produits dans la température ambiante raccourci le délai de consommation.

Mode opératoire pour le dégivrage du coffre du congélateur:***

- Éteindre l'appareil à l'aide du panneau de commande, puis retirer la fiche de la prise.
- Ouvrir la porte, puis extraire les denrées.
- En fonction du modèle, retirer le canal de drainage qui se trouve dans la partie inférieure de la chambre du congélateur et placer un récipient.
- Laisser la porte ouverte, cela accélérera le processus de décongélation. En plus, il est possible de mettre un récipient avec de l'eau chaude (mais pas bouillante) dans la chambre du congélateur
- Laver l'intérieur du coffre puis laisser sécher.
- Remettre l'appareil en marche en respectant la procédure précisée dans les instructions.

Dégivrage automatique du réfrigérateur****

Le compartiment réfrigérateur est équipé de la fonction de dégivrage automatique. Cependant du givre peut se créer sur la paroi arrière du compartiment réfrigérateur. Ceci se passe habituellement lorsque une grande quantité de produits alimentaires frais est conservée dans le compartiment réfrigérateur.

Dégivrage automatique du congélateur****

Le compartiment congélateur est équipé de la fonction de dégivrage automatique (no-frost). Les denrées alimentaires sont congelées par un système de réfrigération par circulation d'air et l'humidité du compartiment congélateur évacuée à l'extérieur. En conséquence dans le congélateur ne se forme pas un superflu de dépôt de givre et les produits ne se collent pas entre eux.

Lavage à main du compartiment réfrigérateur et congélateur****

Il est recommandé de laver au moins une fois par an le compartiment réfrigérateur et congélateur. Cette opération empêche la formation des bactéries et des odeurs désagréables. Il convient de mettre hors circuit l'appareil entier par la touche (1), sortir des compartiments les produits et laver à l'eau tiède et au détergent délicat. Essuyer les compartiments avec un chiffon.

Enlèvement et mise en place des clayettes *****

Sortir les clayettes et ensuite faire glisser jusqu'à ce que le verrou de sûreté des clayettes se trouve dans la glissière voulue (fig. 15).

Enlèvement et mise en place du balconnet *****

Soulever le balconnet, sortir et remettre en place à partir du haut à la position désirée (fig. 16).

Dans aucun cas il n'est pas permis de placer à l'intérieur du congélateur un accumulateur électrique de chaleur, de soufflage, ni un sèche-cheveux.

*** Concerne les appareils possédant une chambre de congélation ❄️***

*** Ne concerne pas les appareils avec un Système sans Givre
Concerne les appareils possédant une chambre de congélation.

**** Ne concerne pas les appareils avec un Système sans Givre

**** Concerne les appareils équipés en Système sans Givre

**** Ne concerne pas les congélateurs

LOCALISATION DES PANNES

Anomalie	Cause	Dépannage
L'appareil ne fonctionne pas	La coupure dans le circuit de l'installation électrique	- vérifiez si la fiche a été branchée correctement dans la prise du réseau d'alimentation - vérifiez si le câble d'alimentation de l'appareil n'est pas endommagé - vérifiez si en branchant un autre appareil par ex. une lampe de nuit la tension de prise de courant existe - vérifiez si l'appareil est mis en circuit par l'intermédiaire du thermostat en position supérieure à 0 / OFF
L'éclairage interne du compartiment ne fonctionne pas	La lampe est desserrée dans la douille ou grillée (dans les appareils avec éclairage par lampe incandescente)	- vérifier le point précédent „L'appareil ne fonctionne pas” - resserrer l'ampoule dans la douille, ou alors changer d'ampoule si elle est grillée (dans les appareils avec éclairage par lampe incandescente).
Le fonctionnement continu de l'appareil	Un mauvais placement du sélecteur rotatif Autres causes comme au point „L'appareil réfrigère et/ou congèle très faiblement”	- déplacez le sélecteur rotatif dans position plus basse - Vérifiez suivant le point „L'appareil réfrigère et/ou congèle très faiblement”
De l'eau s'accumule sur la partie inférieure du réfrigérateur	Le canal de dérivation de l'eau est obstrué La circulation d'air rendu plus difficile à l'intérieur du compartiment	- nettoyez l'orifice bouché (voir la notice d'utilisation chap. - „Dégivrage du réfrigérateur”) - rangez les produits alimentaires et les récipients d'une telle façon qu'ils ne touchent pas la paroi arrière du réfrigérateur
Les bruits anormaux de l'appareil	Manque de mise à niveau de l'appareil L'appareil reste en contact avec les meubles et/ou avec d'autres objets	- mettez l'appareil à niveau - positionnez l'appareil librement d'une telle façon qu'il ne touche pas d'autres objets

Anomalie	Cause	Dépannage
L'appareil réfrigère et/ou congèle très faiblement	Un mauvais placement du sélecteur rotatif	- déplacez le sélecteur rotatif à la position supérieure
	Température ambiante est supérieure ou inférieure à celle indiquée dans les spécifications techniques de l'appareil.	L'équipement électroménager est conçu pour fonctionner à une température donnée, cette température étant précisée dans les spécifications techniques de l'appareil.
	L'appareil se trouve dans un endroit ensoleillé ou à proximité d'une source de chaleur	- changez l'emplacement de l'appareil suivant le notice d'utilisation
	Le chargement de grande quantité de produits chauds au même moment	- attendez jusqu'à 72 heures de réfrigération (congélation) des produits jusqu'à l'atteinte de la température exigée à l'intérieur du compartiment
	La circulation d'air rendu plus difficile à l'intérieur du compartiment	- rangez les produits alimentaires et les récipients d'une telle façon qu'ils ne touchent pas la paroi arrière du réfrigérateur
	La circulation d'air rendu plus difficile à l'arrière de l'appareil	- éloignez l'appareil du mur à une distance de 30 mm minimum
	Le dépôt excessif de givre sur les éléments de congélation	- décongelez le compartiment congélateur
	La porte du réfrigérateur/du congélateur l'utilisation ouverte trop fréquemment ou trop longtemps	- diminuez la fréquence d'ouverture de la porte et/ou raccourcissez le temps d'ouverture de la porte
	La porte ne se ferme pas complètement	- placez les produits et les récipients d'une telle façon qu'ils ne rendent pas difficile la fermeture de la porte
	Le compresseur s'enclenche rarement	- vérifiez si la température ambiante ne se situe pas sous la limite inférieure de la classe climatique de l'appareil.
Un mauvais placement du joint d'étanchéité de la porte	- enfoncez le joint	

Durant l'utilisation normale du réfrigérateur peuvent apparaître différentes sortes de sons qui n'ont pas d'influence sur l'amélioration du travail du réfrigérateur.

Les sons qu'il est facile à éliminer :

- le bruit quand le réfrigérateur n'est pas posé verticalement – régler la position à l'aide de pieds à vis éventuellement mettre sous le rouleau derrière
- frottement contre d'autres meubles – déplacer le réfrigérateur.
- grésillement des tiroirs ou des étagères – enlever et remettre sur place le tiroir ou les étagères.
- bruits provenant des bouteilles qui se touchent – éloigner les bouteilles.

Les sons qui peuvent être entendus lors d'une utilisation normale résultent du travail du thermostat, du compresseur (mise en marche), du système de refroidissement (rétrécissement et élargissement du matériau sous l'influence des différences de températures et de la circulation du fluide refroidissant).

GARANTIE, SERVICE APRÈS-VENTE

Garantie

Service de garantie selon la carte de garantie. Le fabricant n'est responsable d'aucun dommage provoqué par une utilisation inappropriée du produit.

Service

- Le fabricant suggère de faire réaliser toute réparation et tout réglage par le Service Interventions ou un centre agréé du fabricant. Pour des raisons de sécurité, il est interdit de réparer vous-même l'appareil.
- Les réparations réalisées par des personnes sans les compétences exigées peuvent constituer un grave danger pour les utilisateurs de l'appareil.
- La période minimale de la garantie sur l'appareil, offerte par le fabricant, l'importateur ou le distributeur agréé est indiquée sur la carte de garantie.
- L'appareil perd sa garantie suite à des transformations, des adaptations, la rupture des scellés ou de tout autre dispositif de sécurité ou de leurs éléments ainsi que suite à toute intervention qui n'est pas conforme aux consignes du mode d'emploi.

Demande de réparation et soutien en cas de défaillance


Si l'appareil nécessite une réparation, contactez le service. Les coordonnées du service et le numéro de contact sont indiqués sur la carte de garantie. Avant tout contact, veuillez préparer le numéro de série de l'appareil que vous pouvez trouver sur la plaque signalétique. Pour faciliter les choses, veuillez le recopier ci-dessous :

--	--	--	--	--	--	--	--	--	--	--	--	--	--	--	--

Déclaration du fabricant

Par la présente le fabricant déclare que le produit est conforme à toutes les principales dispositions exigées par les directives de la communauté Européenne:

- **directive Basse Tension 2014/35/CE**
- **directive Compatibilité électromagnétique 2014/30/CE**
- **directive 2009/125/CE**
- **directive RoHS 2011/65/CE**

et c'est le pourquoi le produit est désigné par le symbol  ainsi qu'une déclaration de la conformité accessible aux organes chargés de la surveillance du marché a été délivrée.

Beste klant

Vanaf vandaag zijn de dagelijkse klusjes eenvoudiger dan ooit tevoren. Het apparaat **Amica** is een combinatie van uitzonderlijk bedieningsgemak en perfecte effectiviteit. Na het lezen van de gebruiksaanwijzing kent de bediening voor u geen geheimen meer.

Ieder apparaat dat de fabriek verlaat is vóór het inpakken op controleplekken grondig gecontroleerd op veiligheid en functionaliteit.

Wij vragen u deze gebruiksaanwijzing zorgvuldig door te lezen voordat u het apparaat inschakelt. Naleving van de aanwijzingen die erin zijn opgenomen beschermt u tegen onjuist gebruik. Bewaar de gebruiksaanwijzing en zorg dat u hem altijd binnen handbereik heeft.

Volg de gebruiksaanwijzing nauwkeurig op om ongevallen te voorkomen.

Hoogachtend

Amica

AANWIJZINGEN BETREFFENDE VEILIGHEID VAN GEBRUIK

- Het apparaat is uitsluitend bestemd voor huishoudelijk gebruik.
- De producent behoudt zich het recht voor om wijzigingen aan te brengen die het gebruik van het apparaat niet beïnvloeden.
- Sommige opmerkingen in deze gebruiksaanwijzing zijn hetzelfde voor de verschillende typen koelapparatuur, (voor koelkasten, koel-vrieskasten of diepvriezers). U vindt informatie over het type van uw apparaat op de productkaart die is meegeleverd met het product.
- Producent steelt zich niet verantwoordelijk voor de schade die uit het niet nagaan van de aanwijzingen van deze gebruiksaanwijzing voortvloeit.
- Wij adviseren deze gebruiksaanwijzing zorgvuldig te bewaren om te kunnen raadplegen in de toekomst of doorgeven aan de volgende gebruiker.
- Dit apparaat is niet bestemd voor gebruik door personen met een beperkte fysieke, somatische of psychische vaardigheden (waaronder kinderen) en personen die geen ervaring ermee of kennis ervan hebben, tenzij dit onder toezicht of volgens gebruiksaanwijzing gebeurt, die door personen die voor de veiligheid verantwoordelijk zijn doorgegeven wordt.
- Wees u bijzonder attent op het zelfstandig gebruik van het apparaat door kinderen. Het apparaat is geen speelgoed. Het is verboden om op de uitschuifbare elementen te zitten en aan de deur hangen.
- De koelvries combinatie werkt correct in de omgevingstemperatuur welke aangegeven staat op de tabel met technische gegevens. Plaats het apparaat niet in een kelder, een gang of een niet verwarmde chalet in de herfst en in de winter.
- Tijdens het opstellen, schuiven en optillen is het

verboden om aan de deurhandgrepen te grijpen, aan de gleuf aan de achterkant van de koelkast te trekken of compressor aan te raken.

- Tijdens het transport, het optillen of opstellen dient de koel-vriescombinatie zich niet meer dan 40° van de verticale positie bevinden. Indien dit wel plaatshad, kan het apparaat pas na 2 uur na de opstelling aangezet worden (tek. 2).
- Voordat u aan onderhoudswerkzaamheden begint haal altijd de stekker uit het stopcontact. Trek nooit aan het netsnoer, maar aan de stekker.
- De ongewone of sterkere geluiden ontstaan door het uitbreiden en verkleinen van de onderdelen door de temperatuurwijzigingen.
- Vanwege de veiligheid is het niet aangeraden om het apparaat zelf te herstellen. De herstellingswerkzaamheden, die door niet bevoegde personen zijn uitgevoerd, kunnen gevaarlijk voor de gebruikers van het apparaat zijn.
- Ingeval van storing van het koelsysteem is het aangeraden om de ruimte, waarin het apparaat geplaatst werd door enkele minuten te ventileren (deze ruimte dient ten minste 4 m³ hebben; voor het product met isobutaan/R600a)
- Gedeeltelijk ontdooide producten dient u niet nog een keer in te vriezen.
- Bewaar dranken in blikken en flessen, in het bijzonder koolzuurhoudende dranken, niet in de diepvriezer. Blikken en flessen kunnen barsten.
- Plaats geen pas van de diepvriezer genomen producten direct in de mond (ijs, ijsblokken, ezv.), hun lage temperatuur kan ernstige letsels veroorzaken.
- Let op om het koelsysteem niet te beschadigen, bv. door het prikken in de kanalen van de koelvloeistof in de verdamper, het breken van pijpen. Het ingespoten koelvloeistof is brandbaar. Ingeval van contact met het oog, dient u het met schoon water afspoelen en onmiddellijk met arts contacteren.
- Als de voedingskabel beschadigd raakt, dan moet deze vervangen worden bij een specialistische service.

- Het apparaat is bestemd voor het bewaren van voedingsmiddelen. Gebruik het niet voor andere doeleinden.
- Koppel het apparaat volledig los van het lichtnet (door de stekker uit het stopcontact te trekken) tijdens werkzaamheden als schoonmaken, onderhoud of verplaatsen.
- Dit apparaat mag gebruikt worden door kinderen van 8 jaar en ouder, door personen met een lichamelijke, zintuiglijke of verstandelijke beperkingen en personen zonder ervaring of kennis van het apparaat wanneer op hen gelet wordt of ze geïnstrueerd zijn over het veilig gebruik van het apparaat en ze de gevaren kennen in verband met het gebruik van het apparaat. Kinderen mogen niet met het apparaat spelen. Reiniging en onderhoud mogen niet door kinderen gedaan worden tenzij ze 8 jaar zijn of ouder en er toezicht wordt gehouden door een juiste persoon.
- Om meer ruimte te creëren in de diepvriezer, kunt u de laden verwijderen en de producten direct op de legplanken plaatsen. Dit heeft geen invloed op de thermische en mechanische eigenschappen van het apparaat. De opgegeven inhoud van de diepvriezer is berekend bij afwezigheid van de laden.



WAARSCHUWING: Brandgevaar / brandbare materialen

- Kinderen van 3 tot 8 jaar mogen producten in het koelapparaat zetten en eruit halen.

Om verontreiniging van de voedingsmiddelen te voorkomen, moet u zich houden aan de volgende regels:

- Als u de deur lange tijd opent, kan de temperatuur in de verschillende ruimten van het apparaat aanzienlijk stijgen.
- Maak de oppervlakken die in contact komen met voedingsmiddelen regelmatig schoon evenals, indien aanwezig, de waterafvoersystemen.
- Bewaar rauw vlees en vis in geschikte containers in

de koelkast, zodat ze niet in contact kunnen komen met andere voedingsmiddelen en niet op andere voedingsmiddelen kunnen lekken.

- Vriesruimten met twee sterren zijn bestemd voor het bewaren van eerder ingevroren voedingsmiddelen, het bewaren of bevriezen van ijs of het bevriezen van ijsblokjes.
- Ruimtes met één ster, twee sterren en drie sterren zijn niet bestemd voor het invriezen van verse voedingsmiddelen.

	Soorten ruimten	Uiteindelijke bewaar-temperatuur [°C]	Geschikte voedingsmiddelen
1	Koelkast	+2 ≤ +8	Eieren, gekookte voedingsmiddelen, verpakte voedingsmiddelen, vruchten en groenten, zuivel, gebak, dranken en overige producten die niet geschikt zijn om in te vriezen.
2	Diepvriezer ❄️***	≤-18	Zeevruchten (vis, garnalen, mosselen), zoetwaterproducten en vleesproducten (aanbevolen 3 maanden, hoe langer de bewaartijd, hoe minder smakelijk en voedzaam het product zal zijn), geschikt voor ingevroren verse producten.
3	Diepvriezer ***	≤-18	Zeevruchten (vis, garnalen, mosselen), zoetwaterproducten en vleesproducten (aanbevolen 3 maanden, hoe langer de bewaartijd, hoe minder smakelijk en voedzaam het product zal zijn), niet geschikt voor bevroren verse producten.
4	Diepvriezer **	≤-12	Zeevruchten (vis, garnalen, mosselen), zoetwaterproducten en vleesproducten (aanbevolen 2 maanden, hoe langer de bewaartijd, hoe minder smakelijk en voedzaam het product zal zijn), niet geschikt voor bevroren verse producten.
5	Diepvriezer *	≤-6	Zeevruchten (vis, garnalen, mosselen), zoetwaterproducten en vleesproducten (aanbevolen 1 maand, hoe langer de bewaartijd, hoe minder smakelijk en voedzaam het product zal zijn), niet geschikt voor bevroren verse producten.
6	Ruimte zonder sterren	-6 ≤ 0	Vers varkensvlees, rundvlees, vis, kip, sommige verpakte, verwerkte producten etc. (aanbevolen wordt deze dezelfde dag nog te eten, maar uiterlijk binnen 3 dagen). Gedeeltelijk verpakte, verwerkte producten (producten die niet geschikt zijn om in te vriezen)

7	Koelruimte	$2 \leq +3$	Vers/bevroren varkensvlees, rundvlees, kip, zoetwaterproducten etc. (7 dagen onder 0°C , boven 0°C wordt aanbevolen deze nog dezelfde dag te eten, maar uiterlijk binnen 2 dagen). Zeevruchten (onder 0°C gedurende 15 dagen, bij voorkeur niet bewaren bij temperaturen hoger dan 0°C)
8	Ruimte voor het bewaren van verse voedingsmiddelen	$0 \leq +4$	Vers varkensvlees, rundvlees, vis, kip, gekookte producten etc. (aanbevolen wordt deze dezelfde dag nog te eten, maar uiterlijk binnen 3 dagen).
9	Ruimte voor het bewaren van wijn	$+5 \leq +20$	Rode, witte, mousserende wijnen etc.

- Opgelet: bewaar de producten in overeenstemming met de aanbevelingen voor de verschillende ruimten en de aanbevolen bewaartemperatuur van het product.
- Als u het koelapparaat niet gebruikt en het langere tijd leeg zal staan, moet u het uitschakelen, ontdooien, schoonmaken, drogen en de deur open laten staan om te voorkomen dat er in het apparaat schimmel ontstaat.
- Reinigen van de waterdispenser (voor producten met waterdispenser): Reinig de watertanks als ze 48 uur niet zijn gebruikt; als het water gedurende 5 dagen niet is afgetapt, spoel dan het watersysteem dat op de waterleiding is aangesloten door.
- De minimumperiode waarin reserveonderdelen die nodig zijn om het apparaat te repareren beschikbaar blijven, bedraagt 7 of 10 jaar, afhankelijk van het type en het doel van het reserveonderdeel, en is in overeenstemming met Verordening (EU) 2019/2019 van de Commissie.
- De lijst met reserveonderdelen en de bestelprocedure zijn beschikbaar op de websites van de fabrikant, importeur of de officiële vertegenwoordiger.
- Meer informatie over het product vindt u in de Europese productdatabase voor energie-etikettering EPREL op de website <https://eprel.ec.europa.eu>. U kunt de informatie verkrijgen door de QR-code op het energie-etiket te scannen of door het productmodel in te voeren in de zoekmachine van EPREL <https://eprel.ec.europa.eu/>

INSTALLATIE EN WERKOM- STANDIGHEDEN VAN HET APPARAAT

Dit koelapparaat is niet bedoeld voor gebruik als inbouwapparaat.

Installatie voor de eerste ingebruikname

- Pak het product uit en verwijder de veiligheidsbanden van de deur en uitrusting (Tek. 4). De restanten van het lijm kunt u met een zacht reinigingsmiddel verwijderen.
- Gooi de piepschuim elementen van de verpakking niet weg. Ingeval van een toekomstig transport, dient de koel-vriescombinatie nog een keer met behulp van piepschuim elementen, folie en plakband beveiligd te worden.
- Was de binnenkant van de koelkast en de diepvriezer met een zacht warm water met een afwasmiddel en daarna droog het met een doek en wacht tot het droog wordt.
- Plaats de koel-vriescombinatie op een ondergrond, die vlak, waterpas en stabiel is, in een droge en regelmatig ventileerde ruimte, niet in direct zonlicht of naast andere warmtebronnen, zoals een gasfornuis, CV-radiator, CV-buis of warme water installatie ezv.
- Op de buiten oppervlakken van het product kan zich beschermende folie bevinden welke verwijderd dient te worden.
- Het apparaat moet waterpas geplaatst zijn, wat kunt u bereiken door op een juiste manier 2 voorvoetjes op te schuiven (tek. 3).
- Om de deur vrijuit te kunnen openen, dient de afstand tussen de zijwand van het product (aan de kant van de deurscharnieren) en de muur in overeenstemming te zijn met afbeelding 5*.
- De ruimte dient regelmatig geventileerd te worden en het lucht dient onbelemmerd van alle zijden van het apparaat circuleren (tek. 6*).

Minimale afstanden van warmtebronnen

- van elektrische fornuizen, gasfornuizen en andere fornuizen - 30 mm,
- van olie- of steenkoolkachels - 300 mm,
- van ingebouwde fornuizen - 50 mm

Indien het behouden van deze afstanden niet mogelijk is, dient u een juiste isolatieplaat te gebruiken.

Attentie:

- De achterwand van de koelkast en in het bijzonder de condensor en andere elementen van het koelingsysteem mogen de andere elementen niet aan te raken, in het bijzonder elementen die defecten kunnen veroorzaken (CV-buis en wateraanvoerbuis).
- Het is verboden om aan de onderdelen van het aggregaat te manipuleren. In het bijzonder mag het capillair niet defect te zijn, die u bij de compressor ziet. Het capillair mag niet gevouwen, getrokken nog gerold worden.
- Het beschadigen van het capillair door de gebruiker maakt de garantie ongeldig (tek. 8).
- In geselecteerde modellen bevindt zich de deurhendel aan de binnenkant van het product en dient het vastgeschroefd te worden met een schroevendraaier.

Aansluiten op het electriciteitsnet

- Zet de temperatuurregelaar in de positie „OFF” of een andere positie die het apparaat uitschakelt (zie de pagina met de beschrijving van de besturing) voordat u het aansluit.
- Suit het apparaat op het electriciteitsnet met wisselstroom 220-240V, 50Hz aan, met gebruik van een correct geïnstalleerd stopcontactdoos, die geaard is en over een zekering van 10A beschikt.
- De aansluiting op het electriciteitsnet met een aarding moet volgens de wettelijke voorschriften uitgevoerd zijn. De producent stelt zich niet verantwoordelijk voor de schade, die door de personen of voorwerpen geleden kan worden als gevolg van het niet nagaan van de verplichting van dit voorschrift.
- Het is verboden om verloopstekkers, verdeelstekkers en verlengsnoeren te gebruiken. Indien u wel een verlengsnoer moet gebruiken, het dient over een beschermring te beschikken, alleen één contactdoos hebben en over een veiligheidsatetest VDE/GS te beschikken.
- Ingeval van het gebruik van een verlengsnoer (met een beschermring en veiligheidsmarkering), moet zijn nest zich in een veilige afstand van waterbakken bevinden en kan niet het gevaar oplopen om met het water en ander afvalwater in aanraking te komen..
- De gegevens staan op de typeplaatje, dat zich beneden aan de binnenwand van de koelkast bevindt**.

Uitschakelen

Het apparaat dient in elk moment van het electriciteitsnet te kunnen worden uitgeschakeld door de stekker eruit te halen of de dubbelpolige schakelaar uit te zetten (tek. 9).

Klimaatklasse

Informatie over de klimaatklasse staat op de typeplaatje. Deze geeft aan in welke omgevingstemperatuur (dwz. ruimte, waarin hij staat) het product optimaal (correct) werkt.

Klimaatklasse		Toelaatbare omgevingstemperatuur
SN	uitgebreid gematigd	Het koelapparaat is bestemd voor gebruik bij omgevingstemperaturen binnen een bereik van 10°C tot 32°C
N	gematigd	Het koelapparaat is bestemd voor gebruik bij omgevingstemperaturen binnen een bereik van 16°C tot 32°C
ST	subtropisch	Het koelapparaat is bestemd voor gebruik bij omgevingstemperaturen binnen een bereik van 16°C tot 38°C
T	tropisch	Het koelapparaat is bestemd voor gebruik bij omgevingstemperaturen binnen een bereik van 16°C tot 43°C

* Geldt niet voor inbouwapparatuur

**Toegepast afhankelijk van het model

UITPAKKEN



Het apparaat is beveiligd tegen transportschade. Na het uitpakken moet het verpakkingsmateriaal zo verwerkt worden dat er geen risico voor het milieu ontstaat. Al het materiaal dat voor de verpakking is gebruikt is milieuvriendelijk, het kan voor 100% hergebruikt worden en het is gelabeld met het bijbehorende symbool.

Attentie! Het verpakkingsmateriaal (polyethyleenzakjes, stukken polystyreen etc.) bij het uitpakken buiten het bereik van kinderen houden.

VERWIJDERING VAN GEBRUIKTE APPARATUUR



Dit product is overeenkomstig met de Europese richtlijn 2012/19/EG. Dit merkteken informeert dat dit apparaat na afloop van zijn levensduur niet samen met ander huishoudelijk afval verwijderd mag worden.

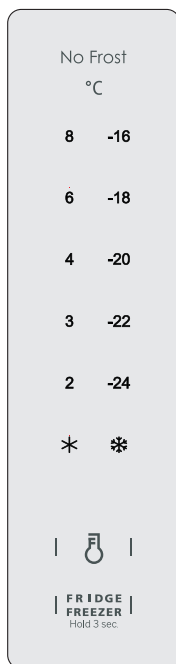
De gebruiker is verplicht om het aan te bieden bij een inzamelpunt voor gebruikte elektrische en elektronische apparatuur. De inzamelende instanties, waaronder lokale inzamelpunten, winkels en gemeentelijke instanties vormen een geschikt systeem voor de inzameling van deze apparatuur.


De juiste behandeling van gebruikte elektrische en elektronische apparatuur leidt tot het vermijden van consequenties die schadelijk zijn voor de menselijke gezondheid en de natuurlijke omgeving en voortkomen uit de aanwezigheid van gevaarlijke bestanddelen en verkeerde opslag en verwerking van dergelijke apparatuur.


BEDIENING

Bediening van het apparaat

Het bedieningspaneel wordt getoond op afbeelding 10. Voor referentiedoelinden staat het ook hieronder weergegeven:




|  | - Wijziging van de temperatuur in de ruimte


|  | - Wijziging van de functie van het apparaat



Wanneer het apparaat voor de eerste keer wordt aangesloten op de stroomvoorziening lichten alle symbolen op, daarna worden de vries-functie en temperatuur standaard ingesteld op -20°C.



Het apparaat heeft een geheugenback-upfunctie. Na elke storing en herstel van de stroomvoorziening keert de temperatuur terug naar de eerder ingestelde waarde.

Wijziging van de functie van het apparaat

Om de functie van het apparaat te wijzigingen van koelen naar vriezen en omgekeerd, raakt u de tiptoets |  | gedurende 3 seconden aan. De temperatuur in de andere sectie wordt verlicht.

Om de temperatuur in het apparaat te wijzigen raakt u de tiptoets |  | enkele malen aan.

Superkoelen - Raak in de koelkastfunctie de tiptoets |  | enkele malen aan totdat het symbool * gaat branden. De temperatuur in de koelkast daalt tot +2°C. Deze functie schakelt automatisch uit na het verstrijken van 150 minuten, of wanneer u met de tiptoets |  | een andere temperatuur invoert.

Supervriezen - Raak in de diepvriesfunctie de tiptoets |  | enkele malen aan totdat het symbool * gaat branden. De temperatuur in de diepvries daalt tot -24°C. Deze functie schakelt automatisch uit na het verstrijken van 24 uur, of wanneer u met de tiptoets |  | een andere temperatuur invoert.

Opgelet: Wanneer u de functie van het apparaat wijzigt van vriezen naar koelen, moet u alle bevroren producten uit het apparaat halen en kunt u de te koelen verse levensmiddelen pas na een uur in het apparaat plaatsen. Plaats geen verse voedingsmiddelen in het apparaat voordat er een uur is verstreken, anders zullen ze bevriezen.

Foutcodes:

Fout-code	Signalering (knipperen tegelijkertijd)		Beschrijving
	Koelkast	Diepvriezer	
E1	* en 2	* en -24	Fout temperatuurvoeler
E4	* en 3	* en -22	Temperatuurfout verwarmingselementvoeler
E6	2 en 4	-24 en -20	Communicatiefout
E7	* en 4	* en -20	Fout omgevingstemperatuurvoeler
E10	2 en 3	-24 en -22	Bedieningsfout

BEDIENING EN FUNCTIES

Het bewaren van producten in de koelkast


- Bewaar de producten op borden, in dozen of in voedselolie verpakt. Plaats ze gelijkmatig op de oppervlakte van de platen.
- Levensmiddelen mogen niet met de achterwand in aanraking komen, indien het wel gebeurt kunnen ze verrijpen of vochtig worden.
- Het is verboden om warme voedsel in de koelkast te plaatsen.
- Producten, die makkelijk geuren opnemen, bv. boter, melk, kwark en producten die een sterk geur hebben, bv. vlees, vissen en kazen dienen verpakt met folie of in goed gesloten dozen geplaatst worden.
- Groenten die rijk aan water zijn, veroorzaken verdamping over de groentelade; dit verstoort de correcte werking van de koelkast niet.
- Droog de groenten voor het plaatsen ervan in de koelkast.
- Te grote hoeveelheid vocht verkort de tijd van het bewaren, in het bijzonder met betrekking tot groenten met bladeren.
- Bewaar de groenten zonder wassen. Het wassen verwijderd hun beschermingslaag, daarom is het aangeraden om ze net voor het eten te wassen.
- De producten in korven (laden) 1, 2, 3* plaats (zie tek. 11).**

1. verpakte producten
2. Verdamer plank / kast
3. Normaal laadniveau
4. ❌***

- Het is toegestaan om producten op de draadroosters van de verdamer van de diepvriezer te plaatsen*
- Het is toegestaan dat producten 20-30 mm voorbij de natuurlijke laadgrens worden geschoven.**
- U kunt de onderste mand verwijderen om meer laadruimte te creëren. U stapelt de producten op de bodem van de diepvriezer tot de maximale hoogte.*

Het invriezen van producten**


- Bijna alle levensmiddelen kunnen worden ingevroren, met uitzondering van groenten die rauw worden gegeten, bv. sla.
- Alleen producten van uitstekende kwaliteit kunnen worden ingevroren, verpakt in afgemeten porties die op een keer kunnen worden gebruikt.
- Gebruik materialen zonder geur om producten te verpakken, die geen lucht nog vocht toelaten en vet niet doorlaten. Het meest geschikt zijn: zakjes, platen van polyetheenfolie, aluminiumfolie.
- De verpakking dient goed worden gesloten en bij het product passen. Glazen verpakkingen zijn verboden.
- Breng verse en warme levensmiddelen (in de omgevingstemperatuur) die gaan worden ingevroren, niet in contact met reeds ingevroren producten.
- Aanbevolen wordt om per etmaal eenmalig niet meer dan de aanbevolen hoeveelheid verse levensmiddelen in de diepvriezer te plaatsen die staat vermeld in de technische specificatie van het apparaat.

- Om de goede kwaliteit van de ingevroren producten te garanderen, is het aangeraden om de reeds ingevroren producten te verplaatsen opdat ze niet in contact met verse producten komen.
- De ingevroren producten dienen op de ene kant van de diepvriezer geplaatst worden en de verse producten aan de andere kant, zo dicht mogelijk bij de achter- en zijwand.
- Gebruik voor het invriezen van producten de ruimte die is aangeduid met ***.
- De temperatuur in de koelkast wordt onder andere bepaald door: omgevingstemperatuur, het aantal geplaatste levensmiddelen, frequentie van deuropening, de hoeveelheid rijp, de stand van de thermostaat
- Indien na het sluiten van de koelkast de deur niet direct opnieuw opengaat, wacht 1 tot 2 minuten, zodat de ontstane onderdruk gecompenseerd wordt.


De bewaartijd van ingevroren producten is afhankelijk van hun kwaliteit voor het invriezen en de bewaringstemperatuur. Bij een bewaringstemperatuur van -18°C zijn de volgende bewaartijden aanbevolen:


Producten	Manden
Rundvlees	6-8
Kalfsvlees	3-6
Inwendige organen	1-2
Varkensvlees	3-6
Kippenvlees	6-8
Eieren	3-6
Vissen	3-6
Groenten	10-12
Fruit	10-12

De ruimte voor snelkoeling is niet geschikt voor het bewaren van bevroren voedsel. In deze ruimte kunt u ijsblokjes maken en bewaren.

Opgelet: Als het apparaat geen ruimte met *** heeft, betekent dit dat dit koelapparaat niet geschikt is voor het invriezen van voedingsmiddelen.

* Betreft apparaten met een vriesruimte in het onderste gedeelte van het apparaat

** Betreft apparaten met een vriesruimte 

*** Geldt niet voor apparaten met een vriesruimte met de aanduiding 

HOE KAN DE KOELKAST ECONOMISCH GEBRUIKT WORDEN?

Praktische tips

- Plaats de koelkast of de vrieskast niet in de nabijheid van radiatoren, ovens en stel ze niet rechtstreeks bloot aan zonnestralen.
- Zorg ervoor dat de ventilatieopeningen niet bedekt zijn. Ze moeten een- tot tweemaal per jaar gereinigd en ontstof worden.
- De gepaste temperatuur kiezen: een temperatuur van 6 tot 8 °C in de koelkast en -18 °C in de vrieskast is voldoende.
- Als u op vakantie vertrekt, dient u de temperatuur in de koelkast te verhogen.
- Open de deur van de koelkast of de vrieskast enkel als dit noodzakelijk is. Het is goed om te weten welke levensmiddelen er in de koelkast bewaard worden en waar ze zich precies bevinden. Ongebruikte levensmiddelen dienen zo snel mogelijk terug in de koelkast of de vrieskast geplaatst worden, voordat ze opwarmen.
- Reinig de binnenkant van de koelkast regelmatig met een doekje met zacht detergent. Toestellen zonder automatische ontdooifunctie dienen regelmatig ontdooid te worden. Vermijd dat er een rijm laag van meer dan 10 mm dik gevormd wordt.
- De afdichting rond de deur moet rein gehouden worden. Anders zal de deur niet meer volledig sluiten. Een beschadigde afdichting moet altijd vervangen worden.

Wat betekenen de sterretjes?



Een temperatuur van niet meer dan -6 °C volstaat om ingevroren levensmiddelen gedurende ongeveer een week te bewaren. Lades of vakken die aangeduid zijn met één sterretje vindt men (meestal) in goedkopere koelkasten.



Bij een temperatuur van minder dan -12 °C kan men gedurende één tot twee weken levensmiddelen bewaren zonder dat ze hun smaak verliezen. Dit is niet voldoende om levensmiddelen in te vriezen.



Hoofdzakelijk gebruikt om levensmiddelen in te vriezen bij een temperatuur van minder dan -18 °C. Laat toe om verse levensmiddelen met een gewicht tot 1 kg in te vriezen.



Zo'n toestel laat toe om levensmiddelen bij een temperatuur van minder dan -18 °C te bewaren en grotere hoeveelheden levensmiddelen in te vriezen.

Zones in de koelkast

Door de natuurlijke luchtcirculatie ontstaan er in het koelvak verschillende temperatuurzones.

- De koudste zone bevindt zich rechtstreeks boven de groentelades. In deze zone dienen delicate en snel bederfbare levensmiddelen bewaard te worden zoals:
 - vis, vlees, gevogelte,
 - vleeswaren, kant-en-klare maaltijden,
 - gerechten of gebak met eieren of room,
 - vers deeg, cakemengsels,
 - verpakte groenten en andere verse levensmiddelen waarvan het etiket een bewaartemperatuur van ongeveer 4 °C aangeeft.
- De warmste zone bevindt zich bovenaan in de deur. Hier dient boter en kaas bewaard te worden.

Levensmiddelen die niet in de koelkast bewaard mogen worden

- Niet alle levensmiddelen mogen in de koelkast bewaard worden. Dit zijn onder andere:
 - groenten en fruit die gevoelig zijn voor lage temperaturen, bijvoorbeeld bananen, avocado, papaja, passievrucht, aubergine, paprika, tomaat en komkommer.
 - Onrijpe vruchten,
 - Aardappelen

Attentie:

Voorbeeld van producten plaatsing in het apparaat (Tek. 12).

Om voedingsmiddelen zo lang mogelijk te kunnen bewaren en verspilling te voorkomen, plaatst u de producten zoals weergegeven op Afb. 12. Bovendien toont deze afbeelding de verdeling van laden, manden en planken die zorgt voor het meest efficiënte energiegebruik van het koelapparaat.

Het bewaren van voedingsmiddelen onder de juiste omstandigheden en bij de juiste temperatuur verlengt de houdbaarheid en optimaliseert het elektriciteitsverbruik. Het juiste temperatuurbereik moet op de verpakking of etiketten van voedselproducten zijn vermeld.

ONTDOOIEN, WASSEN EN ONDERHOUD

Gebruik nooit oplosmiddelen of agressieve, schurende schoonmaakmiddelen (bv. schuurpoeders of reinigingsmelk) voor het schoonmaken van de behuizing en de plastic onderdelen van het product! Gebruik alleen milde vloeibare schoonmaakmiddelen en een zacht doekje. Gebruik geen sponsjes.

Ontdooien van de koelkast***

- Aan de achterwand van de koelkast ontstaat rijp, die automatisch ontdooit. Tijdens het ontdooien van de rijp, tezamen met de druppeltjes kunnen ook ontreinigingen door de opening voortvloeien. Dit kan het verstopping van de opening veroorzaken. In zo'n geval moet de opening met plunjer gereinigd worden (tek. 13).
- Het apparaat werkt in cycluszakken: eerst koelen (aan de achterwand ontstaat rijp) en daarna ontdooien van de rijp (druppeltjes aan de achterwand).
- Voor het beginnen met reinigen dient het apparaat van het elektriciteitsnet uitgeschakeld worden, door de stekker eruit te halen, uitschakeling of losdraaien van de zekering. Het water mag niet in contact met het bedieningspaneel of verlichting komen.
- Gebruik bij het ontdooien geen ontdooisprays. Ze kunnen explosieve mengsels vormen en oplosers bevatten die de kunststof onderdelen van het apparaat beschadigen en zelfs voor de gezondheid schadelijk zijn.
- Het water die bij het wassen gebruikt wordt mag niet door de opening naar de verdamper vloeien.
- Was het apparaat met een zachte detergent, behoudens de dichting in de deur. De dichting in de deur was met schoon water en droog met een doek.
- Reinig nauwkeurig alle elementen van de uitrusting (groentevakken, rekken, glazen platen ezv.).

Ontdooien van de diepvriezer**

- Het is aangeraden om het ontdooien van de diepvriezer tezamen met het wassen van het product uit te voeren.
- Grote hoeveelheid ijs op de vriesoppervlakten verstoort de werking van het apparaat en vergroot het energieverbruik.
- Het is aangeraden om het apparaat ten minste een of twee keer per jaar te ontdooien. Wanneer er veel ijs ontstaat, moet u het apparaat vaker ontdooien.
- Indien in de diepvriezer bevinden zich ingevroren levensmiddelen, stel de draaiknop op max. ong. 4 uur voor het geplande ontdooien in. Daardoor gaat het mogelijk zijn om de ingevroren producten in de kamertemperatuur te bewaren.
- Plaats de ingevroren producten in een kan, omgevouwen met krantenpapier en deken en houd ze in een koude plek.
- Het ontdooien van de diepvriezer dient zo snel mogelijk uitgevoerd worden. Het te lange bewaren van de producten in de kamertemperatuur verkort hun houdbaarheid.

Om de vriesruimte te ontdooien handelt u als volgt:**

- Schakel het apparaat uit met behulp van het bedieningspaneel en trek vervolgens de stekker uit het stopcontact.
- Open de deur en haal de producten eruit.
- Afhankelijk van het model trekt u het afvoerkanaaltje naar buiten dat zich in het onderste gedeelte van de diepvries in de basis van het apparaat bevindt.
- Laat de deur openstaan, hierdoor versnelt u het ontdooiproces. U kunt ook een schaal met heet (geen kokend) water in de vriesruimte plaatsen.
- Maak de binnenkant van de diepvriezer schoon en droog hem af.
- Schakel het apparaat in volgens de gebruiksaanwijzing.

Automatisch ontdooien van de koelkast****

De koelkast werd in de functie van automatisch ontdooien voorzien. Toch kan het aan de achterwand van de koelkast rijp verzamelen. Deze ontstaat als veel verse producten in de koelkast bewaard worden.

Automatisch ontdooien van de diepvriezer****

De diepvriezer werd in de functie van automatisch ontdooien voorzien (no-frost). Voedsel wordt met gebruik van koud, circelend lucht ingevroren en de vocht van de diepvriezer wordt naar buiten afgevoerd. Daardoor in de diepvriezer ontstaan er geen grote hoeveelheden ijs en rijp en de producten vriezen niet samen.

Handwassen van de koelkast en diepvriezer****

Het wordt aangeraden om de koelkast en diepvriezer ten minste een keer per jaar te wassen.

Het voorkomt het ontstaan van bacteriën en onprettige geuren. Schakel het apparaat met de knop (1) uit, maak het leeg van producten en was met water met zachte detergent. Daarna droog met een doek.

Uithalen en inzetten van de legplateaus*****

Til het legplateau op en schuif het uit, schuif het daarna in totdat u niet meer verder kunt en de sluiting van het legplateau zich in de geleider bevindt (Afb. 15).

Plaatsen en verplaatsen van de opbergvak*****

Druk het opbergvak omhoog en neem het naar voren en zet op de gewenste hoogte terug (Afb. 16).

Ten alle tijde is het verboden om de diepvriezer met gebruik van een elektrische radiator of haardroger te ontdooien.

- ** Betreft apparaten met een vriesruimte (*/*/*).
- *** Geldt niet voor apparaten met een Antirijpsysteem
- **** Betreft apparaten met een koelruimte
- ***** Geldt niet voor apparaten met een Antirijpsysteem
- ***** Betreft apparaten met een Antirijpsysteem
- ***** Niet van toepassing voor diepvriezers

STORINGEN VINDEN EN VERHELPEN

Verschijnselen	Mogelijke redenen	Herstellings wijze
Het apparaat werkt niet	Onderbreking in de elektrische installatie	<ul style="list-style-type: none"> - controleer of de stekker goed in het stopcontact zit - controleer of de spanningskabel niet beschadigt is - controleer of er spanning op het stopcontact staat door bv. een ander toestel aan te sluiten bv. een nachtlamp - controleer of het apparaat aan staat door de thermostaat op meer dan 0 te zetten
Binnenverlichting werkt niet	De gloeilamp is los of doorgebrand (In apparaten met gloeilampen verlichting).	- Controleer het vorige punt „Het apparaat werkt niet“- draai de gloeilamp aan of vervang de doorgebrande (In apparaten met gloeilampen verlichting).
Het apparaat werkt continue	<p>Slechte instelling van de temperatuurregelaar</p> <p>Andere redenen in het punt „Vries-/koeltemperatuur is niet laag genoeg“</p>	<p>- temperatuur met de draaiknop naar beneden draaien</p> <p>- controleren volgens punt „Vries-/koeltemperatuur is niet laag genoeg“</p>
Er ontstaat water in de onderste deel van de koelkast	<p>De waterafvoeropening is verstopt</p> <p>De ventilatie binnen de cel is belemmerd</p>	<p>- maak de verstopte opening schoon (zie hoofdstuk - „Ontdooien van de koelkast“)</p> <p>- controleer of de levensmiddelen en dozen de achterwand van de koelkast niet aanraken</p>
Ongewone of sterkere geluiden	<p>Het apparaat staat niet waterpas en stabiel</p> <p>Het apparaat raakt aan wanden, meubels of andere elementen</p>	<p>- het apparaat waterpas opstellen</p> <p>- het apparaat zo opstellen, dat er geen andere elementen aanraakt en zelfstandig staat</p>

Verschijnselen	Mogelijke redenen	Herstellings wijze
Vries-/koeltemperatuur is niet laag genoeg	Slechte instelling van de temperatuurregelaar	- draai de draaiknop op een hogere positie
	De omgevingstemperatuur is hoger of lager dan de temperatuur welke aangegeven staat op de tabel met technische gegevens van het apparaat.	Het apparaat is bestemd voor werking in een temperatuur welke aangegeven is op de tabel met technische gegevens van het apparaat.
	Het apparaat staat in de zon of te dicht bij een warmtebron	- verander de opstelling van het apparaat volgens de gebruiksaanwijzing
	In het apparaat werd te grote hoeveelheid warme levensmiddelen per een keer gelegd	- 72 uur wachten tot de producten gekoeld (ingevroren) worden en de temperatuur terug naar het gewenste niveau gaat
	De ventilatie binnen de cel is belemmerd	- controleer of de levensmiddelen en dozen de achterwand van de koelkast niet aanraken
	De ventilatie aan de achterkant van het apparaat is belemmerd	- van de wand schuiven voor de afstand van min. 30 mm
	De deur van de koelkast/vriezer wordt te vaak geopend of blijft te lang open staan	- de deur minder vaak openen en/of de tijd van open staan verkorten
	De deur is niet goed gesloten	- levensmiddelen en vakken zo leggen, dat ze het sluiten van de deur niet belemmeren
	De compressor werkt niet vaak genoeg	- controleer of de omgevingstemperatuur niet lager is dan het bereik van de klimaatklasse.
De dichting van de deur zit los	- dichting vastmaken	

Bij het normale gebruik van het koeltoestel kunnen er verschillende soorten geluiden ontstaan, die geen enkele invloed hebben op de correcte werking van de koelkast.

Geluiden die gemakkelijk verholpen kunnen worden:

- Lawaai doordat de koelkast niet waterpas staat – regel de opstelling met behulp van de regelvoetjes vooraan. Leg eventueel zacht materiaal onder de wieltjes achteraan, in het bijzonder bij een tegelvloer.
- Wrijving tegen de aanpalende meubelen – verschuif de koelkast.
- Knarsen van schuiven of schappen – neem de schuif of het schap weg en plaats het daarna terug.
- Geluid van tegen elkaar stotende flessen – plaats de flessen uit elkaar.

Geluiden die hoorbaar zijn tijdens het normale gebruik van het toestel, worden veroorzaakt door de werking van de thermostaat, de compressor (aanslaan), het koelsysteem (krimpen en uitzetten van het materiaal onder invloed van temperatuurverschillen en doorstroom van koelvloeistof).

GARANTIE, SERVICE

Garantie

De garantieverplichtingen blijken uit het garantiebewijs. De producent is niet aansprakelijk voor schade die is veroorzaakt door oneigenlijk gebruik van het product.

Service

- De producent van het apparaat raadt aan om alle reparaties en afstelwerkzaamheden uit te laten voeren door de fabrieksservice of de geautoriseerde service van de producent. Om veiligheidsredenen mag u het apparaat niet zelf repareren.
- Reparaties die zijn uitgevoerd door personen die niet over de vereiste kwalificaties beschikken, kunnen een ernstig gevaar opleveren voor de gebruiker van het apparaat.
- De minimale garantieperiode voor het apparaat die door de fabrikant, importeur of gevolmachtigde wordt aangeboden, staat vermeld op het garantiebewijs.
- Het apparaat verliest zijn garantie als gevolg van eigenhandige aanpassingen, wijzigingen, schending van de verzegeling of andere beveiligingen van het apparaat of onderdelen daarvan, en andere eigenhandige interventie in de apparatuur die niet in overeenstemming is met de gebruiksaanwijzing.

Reparatiemelding en assistentie bij storingen

Als het apparaat gerepareerd moet worden, moet u contact opnemen met de klantenservice. De adresgegevens en het telefoonnummer van de klantenservice vindt u op het garantiebewijs. Als u contact opneemt, zorg er dan voor dat u het serienummer van het apparaat bij de hand heeft, dit staat op het typeplaatje. Voor uw gemak kunt u het hieronder noteren:

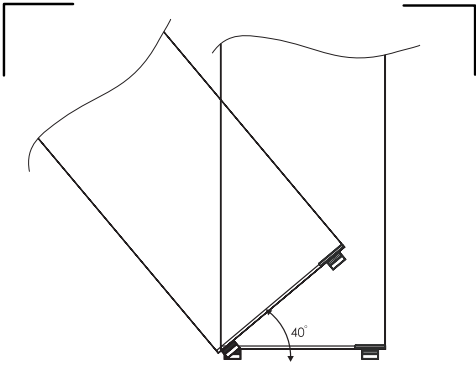
--	--	--	--	--	--	--	--	--	--	--	--	--	--	--	--	--	--	--	--	--

Verklaring van de producent

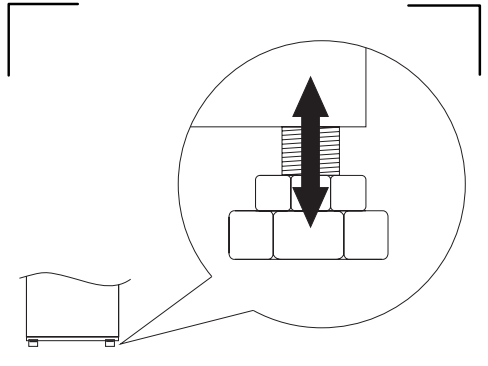
Hierbij verklaart de producent, dat het product aan de eisen van de onderstaande Europese richtlijnen voldoet:

- **Laagspanningsrichtlijn 2014/35/EC**
- **Richtlijn elektromagnetische compatibiliteit 2014/30/EC**
- **Richtlijn 2009/125/EC**
- **Richtlijn RoHS 2011/65/EC**

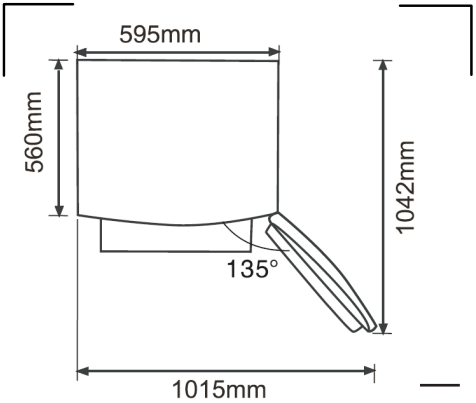
en over de certificering **CE** en de conformiteitsverklaring voor organen die toezicht op de markt houden beschikt.



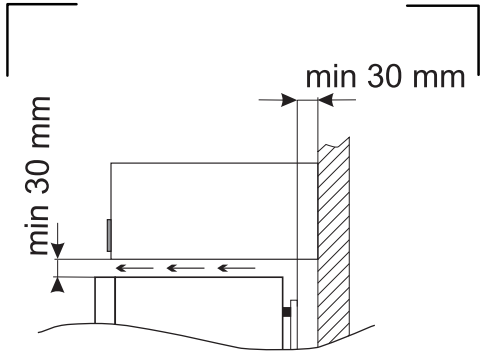
2



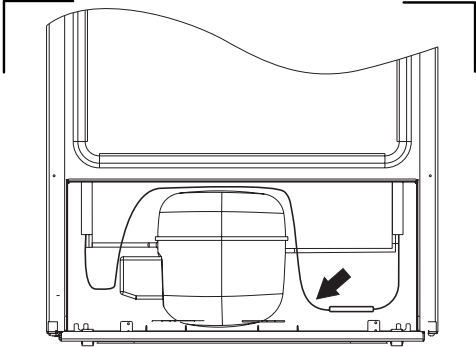
3



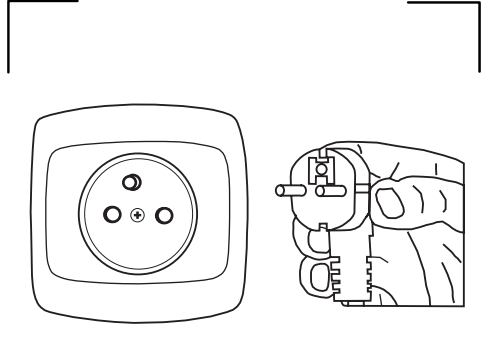
5



6



8



9

No Frost
°C

8 -16

6 -18

4 -20

3 -22

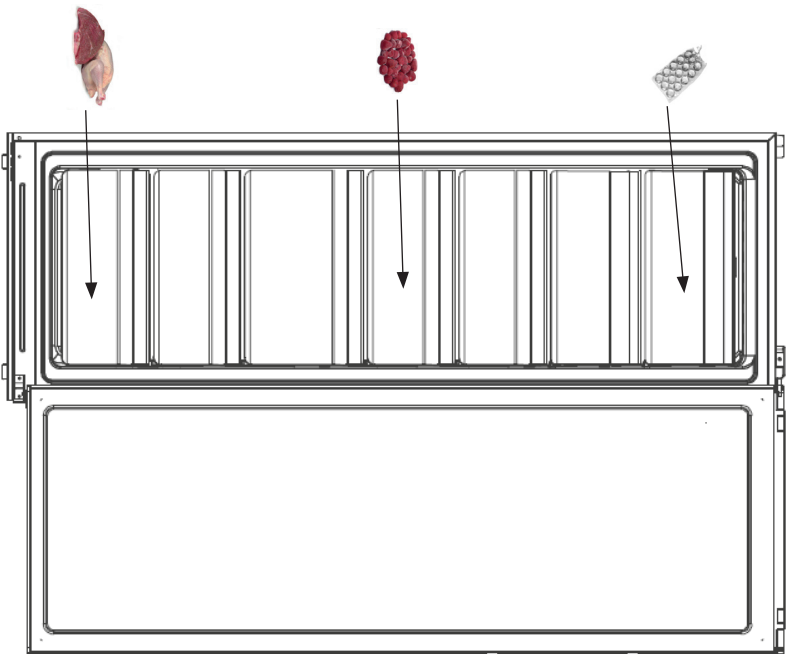
2 -24

* ❄️

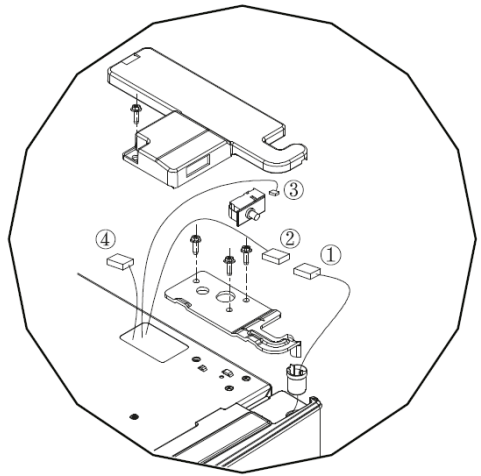
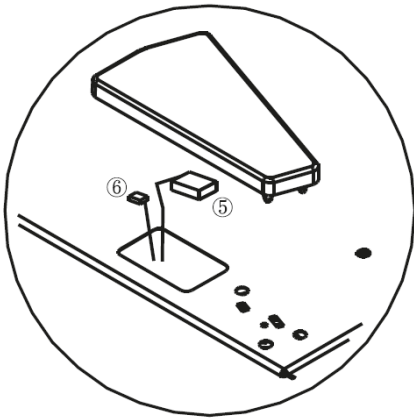
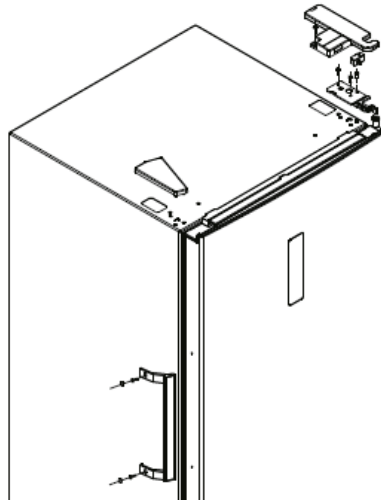


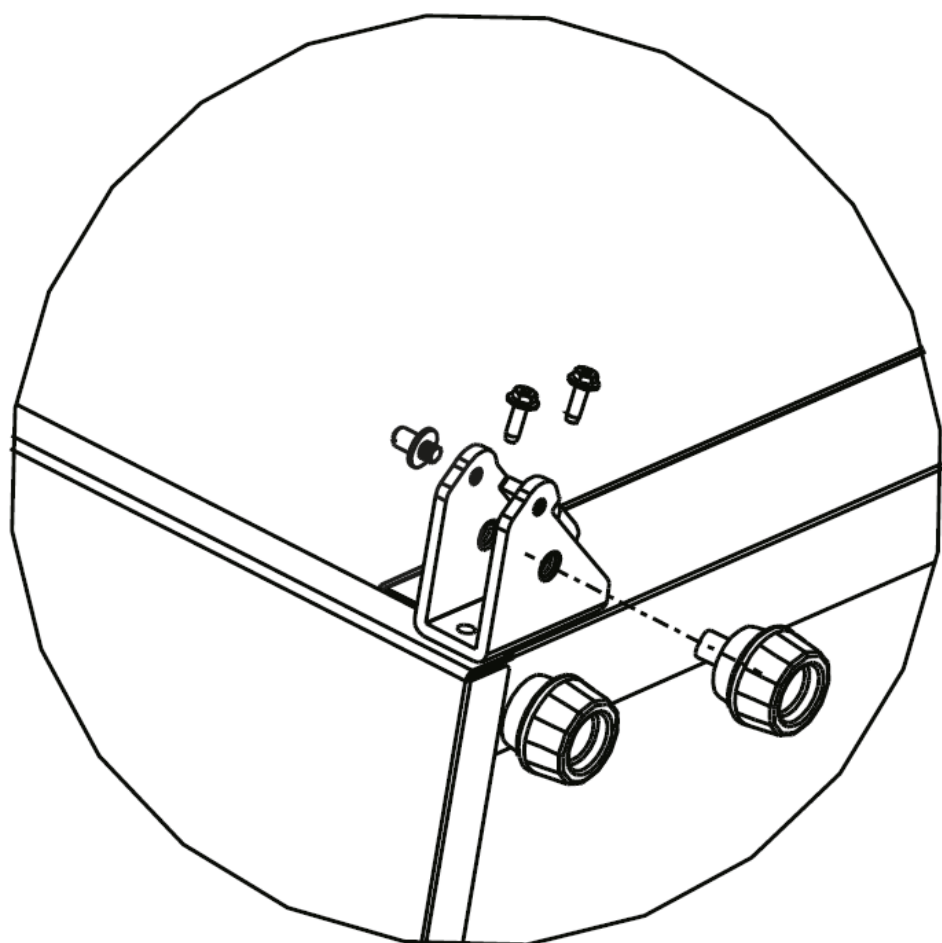
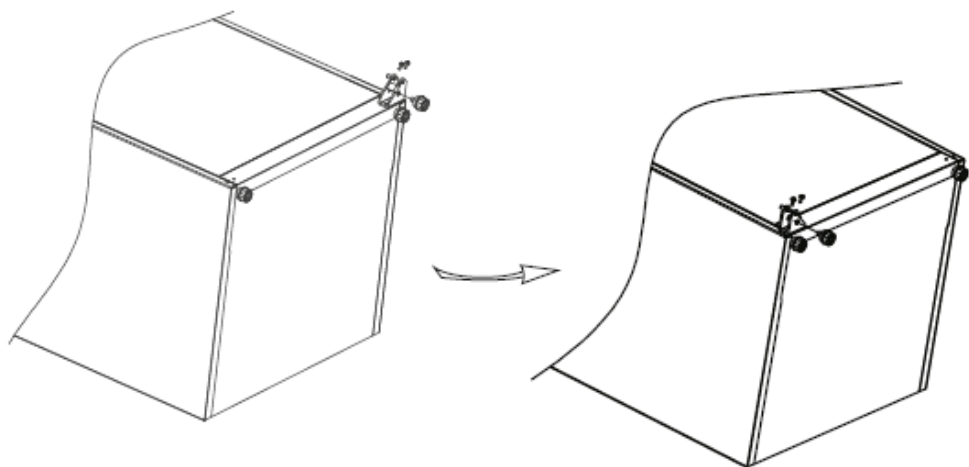
FRIDGE
FREEZER
Hold 3 sec.

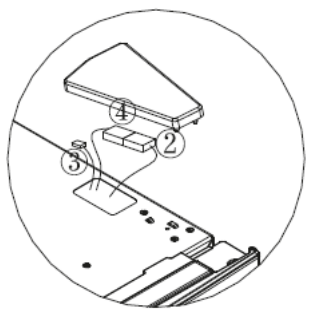
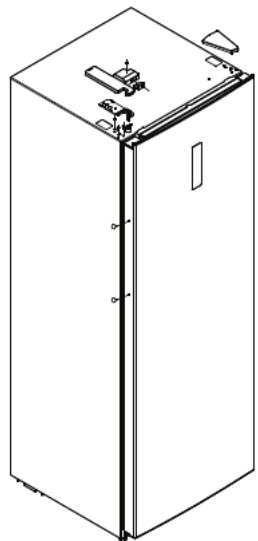
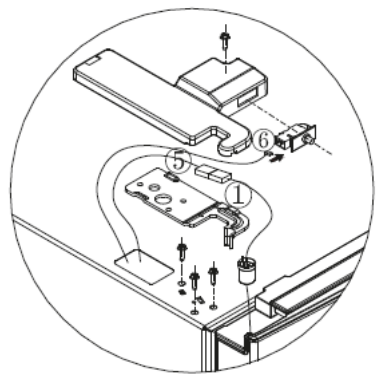
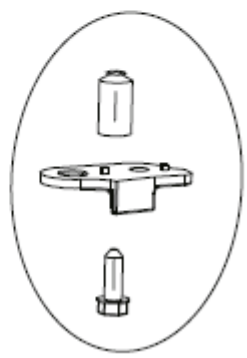
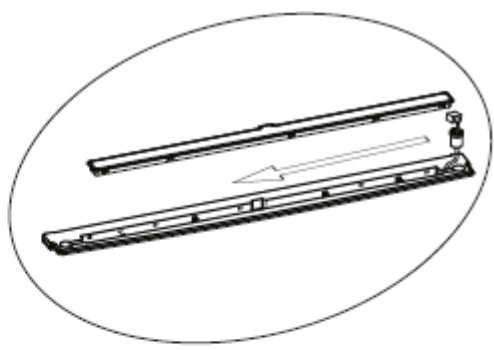
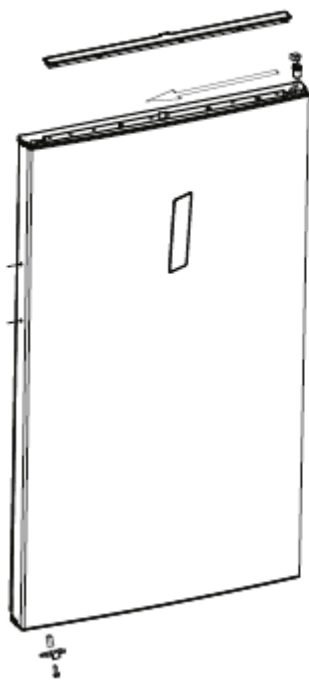
10

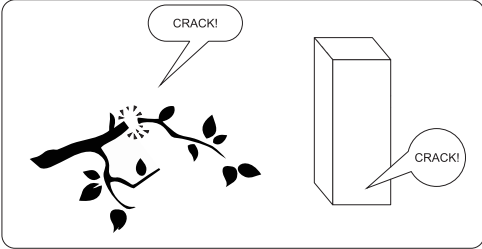
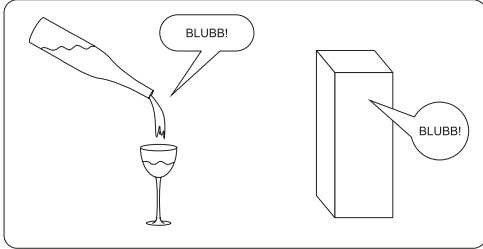
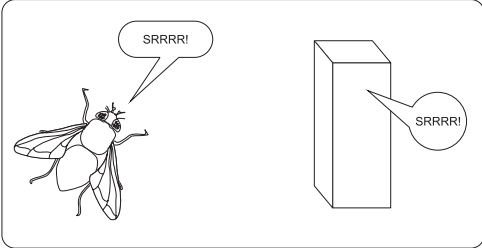
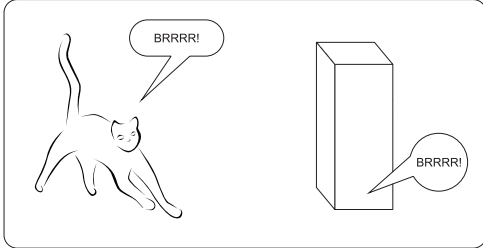
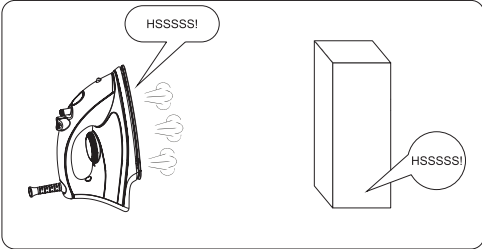
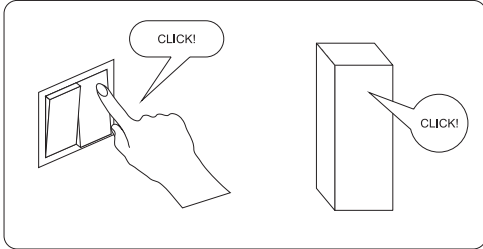
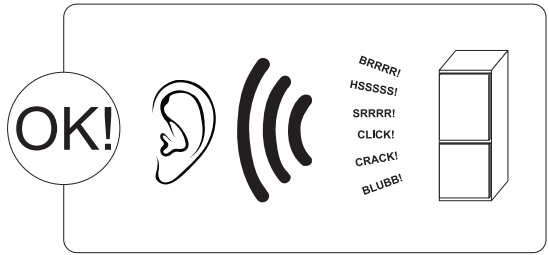


12









Amica S.A.
ul . Mickiewicza 52 / 64-510 Wronki
tel. 67 25 46 100 / fax 67 25 40 320
www.amica.pl

Amica International GmbH
Lüdinghauser Str. 52
D-59387 Ascheberg
Tel: 0 25 93 - 95 67-0
www.amica-group.de