

# Amica

OPERATING INSTRUCTIONS  
INSTRUKCJA OBSŁUGI  
NÁVOD K OBSLUZE  
NÁVOD NA OBSLUHU  
MANUAL DE INSTRUCCIONES  
MANUAL DE INSTRUÇÕES

EN  
PL  
CS  
SK  
ES  
PT

**Kitchen extractor hood / Okap nadkuchenny /  
Kuchyňského odsavače / Kuchynského odsávača /  
Campana extractora de cocina / Exaustor de cozinha**



## OWC 952 G



IO-HOO-0566/1  
(02.2018)



# EN- Table of contents

<b>NOTES ON SAFETY</b>	<b>7</b>
<b>UNPACKING</b>	<b>10</b>
<b>DISPOSAL OF OLD APPLIANCE</b>	<b>10</b>
<b>OPERATION</b>	<b>11</b>
KITCHEN HOOD CONTROLS	11
CONTROL PANEL	11
OFF TIMER	11
OTHER IMPORTANT INFORMATION CONCERNING THE OPERATION OF THE HOOD	14
<b>CLEANING AND MAINTENANCE</b>	<b>15</b>
MAINTENANCE	15
GREASE FILTER	15
ACTIVATED CHARCOAL FILTER	15
LIGHT	15
<b>WARRANTY AND AFTER SALES SERVICE</b>	<b>16</b>
WARRANTY	16

# PL- Spis treści

<b>WSKAZÓWKI DOTYCZĄCE BEZPIECZEŃSTWA</b>	<b>18</b>
<b>ROZPAKOWANIE</b>	<b>22</b>
<b>USUWANIE ZUŻYTYCH URZĄDZEŃ</b>	<b>22</b>
<b>OBSŁUGA</b>	<b>23</b>
STEROWANIE OKAPEM	23
PANEL STEROWANIA	23
TIMER (OPÓŹNIONE WYŁĄCZENIE SILNIKA OKAPU)	23
INNE WAŻNE INFORMACJE DOTYCZĄCE OBSŁUGI OKAPU	26
<b>CZYSZCZENIE I KONSERWACJA</b>	<b>27</b>
KONSERWACJA	27
FILTR PRZECIWTŁUSZCZOWY	27
FILTR WĘGLOWY	27
OŚWIETLENIE	27
<b>GWARANCJA, OBSŁUGA POSPRZEDAŻOWA</b>	<b>28</b>
GWARANCJA	28

# CS- Obsah

<b>BEZPEČNOSTNÍ POKYNY</b>	<b>30</b>
<b>VYBALENÍ</b>	<b>33</b>
<b>LIKVIDACE OPOTŘEBOVANÝCH ZAŘÍZENÍ</b>	<b>33</b>
<b>OBSLUHA</b>	<b>34</b>
OVLÁDÁNÍ ODSAVAČE	34
OVLÁDACÍ PANEL	34
ČASOVAČ (OPOŽDĚNÉ VYPNUTÍ MOTORU ODSAVAČE)	34
JINÉ DŮLEŽITÉ INFORMACE O OBSLUZE ODSAVAČE	37
<b>ČISTENÍ A ÚDRŽBA</b>	<b>38</b>
ÚDRŽBA	38
PROTITUKOVÝ FILTR	38
UHLÍKOVÝ FILTR	38
OSVĚTLENÍ	38
<b>ZÁRUKA, POPRODEJNÍ SERVIS</b>	<b>39</b>
ZÁRUKA	39

# SK- Obsah

<b>BEZPEČNOSTNÉ POKYNY POUŽÍVANIA</b>	<b>41</b>
<b>ROZBALENIE</b>	<b>45</b>
<b>LIKVIDÁCIA ZARIADENÍ</b>	<b>45</b>
<b>OBSLUHA</b>	<b>46</b>
OVLÁDANIE ODSÁVAČA	46
OVLÁDACÍ PANEL	46
ČASOVAČ (ONESKORENÉ VYPNUTIE MOTORU ODSÁVAČA)	46
INÉ DŮLEŽITÉ INFORMÁCIE TÝKAJÚCE SA POUŽÍVANIA ODSÁVAČA	49
<b>ČISTENIE A ÚDRŽBA</b>	<b>50</b>
KONZERVÁCIA	50
PROTITUKOVÝ FILTER	50
UHLÍKOVÝ FILTER	50
OSVETLENIE	50
<b>ZÁRUKA, POPREDAJNÝ SERVIS</b>	<b>51</b>
ZÁRUKA	51

# ES- Tabla de contenidos

<b>INDICACIONES RELACIONADAS CON SEGURIDAD</b>	<b>53</b>
<b>DESEMBALAJE</b>	<b>57</b>
<b>ELIMINACIÓN DE APARATOS USADOS</b>	<b>57</b>
<b>USO</b>	<b>58</b>
CONTROL DE CAMPANA	58
PANEL DE CONTROL	58
TEMPORIZADOR (RETRASO DE LA DESACTIVACIÓN DEL MOTOR DE LA CAMPANA)	58
OTRA INFORMACIÓN IMPORTANTE RELATIVA AL USO DE LA CAMPANA	61
<b>LIMPIEZA Y CONSERVACIÓN</b>	<b>62</b>
MANTENIMIENTO	62
FILTRO DE GRASA	62
FILTRO DE CARBÓN	62
ILUMINACIÓN	62
<b>GARANTÍA, ATENCIÓN DE POST VENTA</b>	<b>63</b>
GARANTÍA	63

# PT- Índice

<b>CONSELHOS DE SEGURANÇA</b>	<b>65</b>
<b>DESEMPACOTAMENTO</b>	<b>69</b>
<b>ELIMINAÇÃO DE APARELHOS GASTOS</b>	<b>69</b>
<b>UTILIZAÇÃO</b>	<b>70</b>
CONTROLO DO EXAUSTOR	70
PAINEL DE COMANDO	70
TIMER (DESLIGAMENTO ATRASADO DO MOTOR DO EXAUSTOR)	70
OUTRAS INFORMAÇÕES IMPORTANTES SOBRE A UTILIZAÇÃO DO EXAUSTOR	73
<b>LIMPEZA E MANUTENÇÃO</b>	<b>74</b>
MANUTENÇÃO	74
FILTRO DE GORDURA	74
FILTRO DE CARVÃO	74
ILUMINAÇÃO	74
<b>GARANTIA, SERVIÇO PÓS-VENDA</b>	<b>75</b>
GARANTIA	75

# Dear customer,

From now on, your daily housework will be easier than ever before. Your appliance **Amica** is exceptionally easy to use and extremely efficient. After reading these Operating Instructions, operating the appliance will be easy.

Before being packaged and leaving the manufacturer, the appliance was thoroughly checked with regard to safety and functionality.

Before using the appliance, please carefully read these Operating Instructions. By following these instructions carefully you will be able to avoid any problems in using the appliance. It is important to keep these Operating Instructions and store them in a safe place so that they can be consulted at any time.

**Follow these instructions carefully in order to avoid possible accidents.**

Sincerely,

**Amica**

# NOTES ON SAFETY

- Before using the appliance, please carefully read this manual!
- The appliance is designed for household use only.
- The manufacturer reserves the right to introduce changes, which do not affect operation of the appliance.
- The manufacturer shall not be liable for any damage or fire caused by the appliance resulting from failure to follow instructions in this manual.
- Cooker hood is designed to remove cooking odours. Do not use cooker hood for other purposes.
- Connect the cooker hood operating in extraction mode to a suitable ventilation duct (do NOT connect the cooker to smoke or flue gas ducts, which are in use). It requires installation of the air extraction duct to the outside. The length of the duct (usually a pipe of  $\varnothing$  120 or 150 mm) should not be longer than 4-5 m. An air extraction duct is also required for telescopic and furniture hoods in absorption mode.
- Cooker hood operating in air recirculation mode requires the installation of an activated charcoal filter. In this case, installing an extractor duct is not required, however it is recommended to install an air guide vane (Mainly in chimney cooker hoods).
- The cooker hood features independent lighting and exhaust fan that can be operated at one of several speeds.
- Depending on the type, the hood is designed to be permanently attached to a vertical wall over a gas or electric stove (chimney and universal hoods); on the ceiling over a gas or electric stove (island hoods); on the vertical built in furniture

over a gas or electric stove (telescopic and built-in hoods). Before installing, make sure that the wall/ceiling structure is strong enough to suspend the hood. Some hoods are very heavy.

- For details of the installation distance above an electric hob please refer to product technical sheet. If the installation instructions of the gas cooker specify a greater distance, this must be taken into account (Fig. 1).
- Do not leave an open flame under the hood. When the pots are removed from the burner, set the minimum flame. Always make sure that the flame does not extend outside the pot, because it causes unwanted loss of energy and a dangerous concentration of heat.
- When cooking on fat, supervise the pans constantly, because overheated fat can ignite.
- Unplug the appliance before any cleaning, replacing the filter or repair work.
- Cooker hood grease filter should be cleaned at least once a month, because the filter saturated with fat is flammable.
- Ensure adequate ventilation (air flow) if other equipment such as liquid fuel stoves or heaters are operated in the room in addition to the cooker hood. When the cooker hood is simultaneously operated with burning appliances requiring adequate fresh air from the room to work properly, their safe operation is possible if under pressure around these appliances is a maximum of 0.004 mbar (this does not apply when the cooker hood is used as an odour filter).
- Do not lean on the hood.
- The hood should be cleaned regularly both inside and out (AT LEAST ONCE A MONTH, following the indications concerning maintenance provided in this manual).. Failure to adhere to the rules concerning cleaning the hood and replacing filters



results in a fire risk.

- If the power cord is damaged it should be replaced by a specialised service centre.
- Ensure that it is possible to disconnect the appliance from the mains by removing the plug or switching off the bi-polar switch.
- This appliance is not intended for use by persons (including children) with physical, mental or sensory handicaps, or by persons inexperienced or unfamiliar with the appliance, unless under supervision or in accordance with the instructions as communicated to them by persons responsible for their safety.
- Particular attention should be paid not to allow unaccompanied children to use the appliance.
- Make sure voltage indicated on the nameplate corresponds to the local mains supply voltage.
- Before use, extend and straighten the power cord.
- Packaging materials (bags, polyethylene, polystyrene, etc.) should be kept away from children during unpacking.
- Before connecting the hood to the mains power supply always check that the power cord is properly installed and is not trapped by the appliance. Do not connect the appliance to the mains until assembly is complete.
- Do not operate your kitchen hood without the aluminium grease filters.
- It is strictly forbidden to cook dishes under on an open flame (flambé) under your kitchen hood.
- Always strictly adhere to regulations issued by the competent local authorities regarding the technical and safety requirements for fume extraction.
- Failing to tighten bolts and fasteners in accordance with these instructions may endanger life and health.
- Hanging kitchen hoods operate only in air circulation / odour absorber mode

## UNPACKING

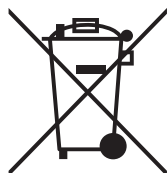


During transportation, protective packaging was used to protect the appliance against any damage. After unpacking, please dispose of all elements of packaging in a way that will not cause damage to the environment.

All materials used for packaging the appliance are environmentally friendly; they are 100% recyclable and are marked with the appropriate symbol.

Important! Packaging materials (bags, polyethylene, polystyrene, etc.) should be kept away from children during unpacking.

## DISPOSAL OF OLD APPLIANCE



In accordance with European Directive 2012/19/EU and Polish legislation regarding used electrical and electronic goods, this appliance is marked with the symbol of the crossed-out waste container. This marking indicates that the appliance must not be disposed of together with other household waste

after it has been used.

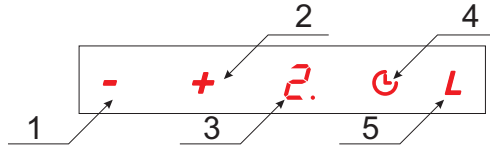
The user is obliged to hand it over to waste collection centre collecting used electrical and electronic goods. The collectors, including local collection points, shops and local authority departments provide recycling schemes.

Proper handling of used electrical and electronic goods helps avoid environmental and health hazards resulting from the presence of dangerous components and the inappropriate storage and processing of such goods.

# OPERATION

## Kitchen hood controls

Control Panel is shown in Figure 4, for reference it is also shown below:



### Control Panel

It is equipped with a touch controls. Touch one the sensors to enable the desired function:









- 1 — Reduce fan speed
- 2 — Increase fan speed
- 3 — Speed display The hood fan can run at 3 or 4 speeds (depending on the model).
- 4 — Off timer
- 5 — Lighting on/off The lighting operates independently of hood fan.

Available fan speeds:

- Low speed (1). Use this speed when cooking a little food with hardly any fumes.
- Medium speeds (2 and 3\*). Use this speed when cooking multiple dishes at the same time with moderate amount of fumes.
- High speed (4\*). Use this speed when frying or grilling, with large amount of fumes.

\* Varies depending on the model

### Off Timer

Use off timer to turn off the hood after a specified time. Use off timer to filter the fumes out of the air after cooking. Maximum delay time is 90 minutes. Touch  to cancel the off-timer at any time. The number  will flash on the display. Then use  and  to select the delay in the range 1–9 (multiply the number by ten to obtain delay in minutes, 1 – 10 minutes, 2 – 20 minutes ... 5 – 50 minutes). Touch  again to activate the function. The off timer is set a dot will flash on by the digit on the display. Touch  to cancel the off timer. Touch  to reduce the delay time down to zero. Touch  to confirm the off-timer has been cancelled. Cancelling the off-timer does not turn off the lighting.

## Odour sensor

When active, the odour intensity level is detected. When certain odour intensity threshold is reached, the fan will start at the appropriate speed.

- When odour intensity is reduced, the fan will slow down to a lower speed until it eventually stops completely.
- When there no reduction in odour intensity, the fan will continue to run.
- When odour intensity rises, fan speed will increase.

In high odour intensity, the fan will run at speed 4 and then speed will be reduced by one speed level at 1 minute intervals until it stop completely.

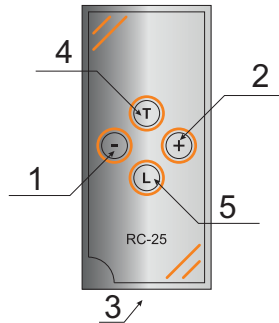
Activate automatic odour detection and calibrate the sensor: In normal conditions when no food is cooked in close proximity to the appliance, connect your kitchen hood to the power supply. After 5 minutes, press and hold **-** for about 2 seconds. The **H** symbol will be displayed, and adjacent dot will flash for 1-2 minutes (depending on the conditions in the room it may take longer). Flashing dot indicates sensor calibration. When the dot stops flashing (and disappears), the sensor is properly calibrated and now the hood is in automatic mode.

Press and hold **-** for approximately 2 seconds to turn off the function.

Note: Each time you activate the automatic operation, the sensor will be calibrated. When the hood is disconnected from the power supply (power outage) and activate the automatic operation, the sensor will be calibrated.

## Remote control

Your kitchen hood is equipped with a remote control. It is shown in Figure 4a and below:



Use remote control to control your kitchen hood. To do this, point the remote control toward the front of the hood and select the appropriate function:

- 1- Reduce fan speed
- 2- Increase fan speed
- 4- Off-timer, for description refer to the previous page.
- 5- Turn lighting on/off The lighting operates independently of hood fan.

When purchased, battery is not included with the remote control. You can purchase a single 3V CR2025 battery in any electronics store. To replace the battery, slide out the tray (item 3 in the figure) on the bottom edge of the remote control. Place the battery in the tray observing polarity. Slide the tray back in.

**Important!** Ensure there are no obstacles between the remote control transmitter and the sensor on the cooker hood. Fluorescent light can interfere with the remote control operation.

## **Other important information concerning the operation of the hood**

Operation in air circulation / odour filter mode. In this mode, the filtered air returns to the room through the outlets. Install activated charcoal filter in this setting. It is recommended to install the air guide (available depending on the model, mainly in chimney cooker hoods).

**Air extraction operation:** When cooker hood operates in extraction mode, air is discharged outside through an extraction duct. Remove activated charcoal filter in this setting. The cooker hood is connected to the air outlet opening using a rigid or flexible extraction duct with a diameter of 150 or 120 mm, and the appropriate clamps, which must be purchased at a hardware store. The appliance should be installed by a qualified installer.

**Fan speed:** Lowest and medium fan speed is used in normal conditions and less intense odours, while the highest speed is used only when cooking odours are very intense, such as during frying or grilling.

**Note (applies to universal hoods only):** Due to the design of universal hoods you need to manually change the mode of operation. See Figure 8 for instructions on how to change the mode.

**Note (only applies to telescopic and in-built kitchen hoods):** Furniture and telescopic cooker hoods operating in air recirculation mode require installation of the exhaust duct. The other end of the duct should be directed to the room as it will discharge filtered air.

**Note:** Hanging kitchen hoods operate only in air circulation / odour absorber mode

# CLEANING AND MAINTENANCE

## Maintenance

Regular maintenance and cleaning of the appliance will ensure trouble-free operation of the cooker hood and extend its life. Especially make sure that the grease filter and activated charcoal filter are replaced according to manufacturer's recommendations.

- Do not use a soaked cloth, sponge, or water jet.
- Do not use solvents or alcohol, as they may tarnish lacquered surfaces.
- Do not use caustic substances, especially for cleaning stainless steel.
- Do not use a rough or abrasive cloth.
- It is recommend to use a damp cloth and a neutral detergent.

Note: After several washes in the dishwasher, the colour of the aluminium filter may change. The change of colour does not indicate improprieties or the necessity to change it.

## Grease filter

For normal hood operation, aluminium grease filter should be cleaned every month in the dishwasher or by hand using a mild detergent or liquid soap.

Dismantling of aluminium grease filter is shown on Figure 5.

Acrylic filter is used in some models. This filter should be replaced at least once every two months or more frequently if the appliance is used intensively.

## Activated charcoal filter

Charcoal filter is used only when the cooker hood is not connected to the ventilation duct. Activated charcoal filter can absorb odours until saturated. Charcoal filter is not suitable for washing or regeneration and should be replaced at least once every two months or more frequently if the appliance is used intensively.

Dismantling of charcoal filter is shown on Figure 6.

## Light

Use incandescent / halogen / LED modules of the same specification as those factory-installed in the appliance. See Figure 7 for details how to replace lights. If there is no such figure in this manual, please contact authorised service to replace the lighting module.

# WARRANTY AND AFTER SALES SERVICE

## Warranty

Warranty service as stated on the warranty card. The manufacturer shall not be held liable for any damage caused by improper use of the product.



**The manufacturer recommends that all repairs and adjustments be carried out by the Factory Service Technician or the Manufacturer's Authorized Service Point. Repairs should be carried out by a qualified technician only.**

### Manufacturer's Declaration

The manufacturer hereby declares that this product meets the requirements of the following European directives:

- **Low Voltage Directive 2014/35/EC**
- **Electromagnetic Compatibility (EMC) Directive 2014/30/EC**
- **ErP Directive 2009/125/EC**
- **Directive RoHS 2011/65/EC**

and has thus been marked with the  symbol and been issued with a declaration of compliance made available to market regulators.



# Szanowny Kliencie

Od dziś codzienne obowiązki staną się prostsze niż kiedykolwiek. Urządzenie **Amica** to połączenie wyjątkowej łatwości obsługi i doskonałej efektywności. Po przeczytaniu instrukcji, obsługa nie będzie problemem.

Sprzęt, który opuścił fabrykę był dokładnie sprawdzony przed zapakowaniem pod względem bezpieczeństwa i funkcjonalności na stanowiskach kontrolnych.

Prosimy Państwa o uważną lekturę instrukcji obsługi przed uruchomieniem urządzenia. Przestrzeganie zawartych w niej wskazówek uchroni Państwa przed niewłaściwym użytkowaniem. Instrukcję należy zachować i przechowywać tak, aby mieć ją zawsze pod ręką.

**Należy dokładnie przestrzegać instrukcji obsługi w celu uniknięcia nieszczęśliwych wypadków.**

Z poważaniem

**Amica**

# WSKAZÓWKI DOTYCZĄCE BEZPIECZEŃSTWA

- Okap należy używać dopiero po przeczytaniu tej instrukcji
- Urządzenie przeznaczone jest wyłącznie do użytku domowego.
- Producent zastrzega sobie możliwość dokonywania zmian niewpływających na działanie urządzenia.
- Producent nie ponosi żadnej odpowiedzialności za ewentualne szkody lub pożary spowodowane przez urządzenie wynikające z nieprzestrzegania zaleceń podanych w niniejszej instrukcji.
- Okap nadkuchenny służy do usuwania oparów kuchennych. Nie należy go używać do innych celów.
- Okap pracujący w trybie wyciągu należy podłączyć do odpowiedniego kanału wentylacyjnego (nie podłączać do kanałów kominowych, dymowych lub spalinowych, będących w eksploatacji). Okap wymaga zainstalowania przewodu odprowadzającego powietrze na zewnątrz. Długość przewodu (najczęściej rura  $\varnothing$  120 mm lub 150 mm) nie powinna być dłuższa niż 4-5 m. Przewód odprowadzający powietrze jest również wymagany przy okapach teleskopowych i meblowych w trybie pochłaniacza.
- Okap pracujący w trybie pochłaniacza wymaga zainstalowania filtra z węglem aktywnym. W tym przypadku nie wymaga się instalowania przewodu odprowadzającego powietrze na zewnątrz, zaleca się natomiast montaż kierownicy wydmuchu powietrza (występuje głównie w okapach kominowych).
- Okap posiada niezależne oświetlenie oraz wenty-

lator wyciągowy z możliwością ustawienia jednej z kilku prędkości obrotowych.

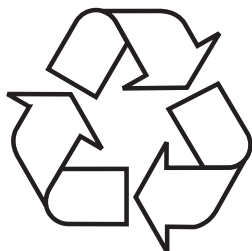
- W zależności od wersji urządzenia, okap jest przeznaczony do trwałego zamocowania na pionowej ścianie ponad kuchenką gazową lub elektryczną (okapy kominowe i uniwersalne); na suficie ponad kuchenką gazową lub elektryczną (okapy wyspowe); na pionowej ścianie w zabudowie meblowej ponad kuchenką gazową lub elektryczną (okapy teleskopowe i do zabudowy). Przed montażem należy się upewnić czy konstrukcja ściany / sufitu jest odpowiednia do utrzymania okapu. Niektóre modele okapów są bardzo ciężkie.
- Wysokość montażu urządzenia nad płytą elektryczną podana jest w karcie produktu (specyfikacji technicznej urządzenia). Jeżeli w instrukcjach instalowania urządzeń gazowych podano większą odległość, należy to uwzględnić (Rys. 1).
- Pod okapem kuchennym nie wolno pozostawiać odkrytego płomienia, podczas zdejmowania naczyń z nad palnika, należy ustawić minimalny płomień. Zawsze należy sprawdzać czy płomień nie wykracza poza naczynie, gdyż powoduje to niepożądane straty energii i niebezpieczną koncentrację ciepła.
- Potrawy przygotowywane na tłuszczach powinny być stale nadzorowane, gdyż przegrzany tłuszcz może się łatwo zapalić.
- Przed każdą operacją czyszczenia, wymianą filtra lub przed podjęciem prac naprawczych, należy wyjąć wtyczkę urządzenia z gniazdka.
- Filtr przeciw tłuszczowy do okapu kuchennego należy czyścić, co najmniej, raz na 1 miesiąc, gdyż nasycony tłuszczem jest łatwopalny.
- Jeżeli w pomieszczeniu, oprócz okapu, eksploatuje się inne urządzenia o zasilaniu nieelektrycznym (np. piece na paliwa ciekłe, grzejniki przepływowe, termy), należy zadbać o wystarczającą

wentylację (dopływ powietrza). Bezpieczna eksploatacja jest możliwa, gdy przy jednoczesnej pracy okapu i urządzeń spalających, zależnych od powietrza w pomieszczeniu, w miejscu ustawienia tych urządzeń panuje podciśnienie najwyżej 0,004 milibara (ten punkt nie obowiązuje, gdy okap nadkuchenny jest użytkowany jako pochłaniacz zapachów).

- Okap nie powinien służyć jako płaszczyzna podparcia dla osób znajdujących się w kuchni.
- Okap powinien być często czyszczony zarówno na zewnątrz jak i od wewnątrz (PRZYNAJMNIEJ RAZ W MIESIĄCU, z zachowaniem wskazówek dotyczących konserwacji podanych w niniejszej instrukcji). Nieprzestrzeganie zasad dotyczących czyszczenia okapu oraz wymiany filtrów powoduje powstanie zagrożenia pożarem.
- Jeżeli przewód zasilający ulegnie uszkodzeniu, to powinien być wymieniony w specjalistycznym zakładzie naprawczym.
- Należy zapewnić możliwość odłączenia urządzenia od sieci elektrycznej, poprzez wyjęcie wtyczki lub wyłączenie wyłącznika dwubiegunowego.
- Niniejszy sprzęt nie jest przeznaczony do użytkowania przez osoby (w tym dzieci) o ograniczonej zdolności fizycznej, czuciowej lub psychicznej, lub osoby o braku doświadczenia lub znajomości sprzętu, chyba że odbywa się to pod nadzorem lub zgodnie z instrukcją użytkowania sprzętu, przekazaną przez osoby odpowiadające za ich bezpieczeństwo.
- Należy zwrócić szczególną uwagę, aby z urządzenia nie korzystały pozostawione bez opieki dzieci.
- Sprawdzić, czy napięcie podane na tabliczce znamionowej odpowiada miejscowym parametrom zasilania.
- Przed montażem rozwinąć i wyprostować przewód sieciowy.

- Materiały opakowaniowe (woreczki polietylenowe, kawałki styropianu itp.) należy w trakcie rozpakowywania trzymać z dala od dzieci.
- Przed podłączeniem okapu do zasilania sieciowego należy zawsze skontrolować czy kabel zasilania został prawidłowo zainstalowany i NIE został przygnieciony przez okap w trakcie czynności montażowych. Nie podłączać urządzenia do sieci elektrycznej przed ukończeniem montażu.
- Zabrania się użytkować okap bez zamontowanych aluminiowych filtrów przeciwtłuszczowych.
- Surowo zabrania się przygotowywania pod okapem potraw z użyciem otwartego ognia (flambrowanie).
- W zakresie koniecznych do zastosowania środków technicznych i bezpieczeństwa dotyczących odprowadzania spalin należy ściśle przestrzegać przepisów wydanych przez kompetentne władze lokalne.
- Niedokręcenie śrub oraz elementów mocujących zgodnie z niniejszymi instrukcjami może spowodować zagrożenia zdrowia i życia.
- Okapy wiszące działają tylko w trybie pochłaniania zapachów

# ROZPAKOWANIE



Urządzenie na czas transportu zostało zabezpieczone przed uszkodzeniem. Po rozpakowaniu urządzenia prosimy Państwa o usunięcie elementów opakowania w sposób niezagrażający środowisku.

Wszystkie materiały zastosowane do opakowania są nieszkodliwe dla środowiska naturalnego, w 100% nadają się do odzysku i oznakowano je odpowiednim symbolem.

Uwaga! Materiały opakowaniowe (woreczki polietylenowe, kawałki styropianu itp.) należy w trakcie rozpakowywania trzymać z dala od dzieci.

# USUWANIE ZUŻYTYCH URZĄDZEŃ



To urządzenie jest oznaczone zgodnie z Dyrektywą Europejską 2012/19/UE oraz polską Ustawą o zużytym sprzęcie elektrycznym i elektronicznym symbolem przekreślonego kontenera na odpady. Takie oznakowanie informuje, że sprzęt ten, po okresie jego użytkowania, nie może być umieszczany łącznie z innymi odpadami pochodzącymi z gospodarstwa domowego.

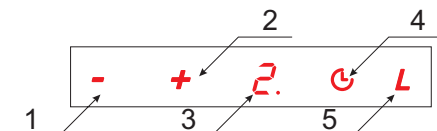
Użytkownik jest zobowiązany do oddania go prowadzącym zbieranie zużytego sprzętu elektrycznego i elektronicznego. Prowadzący zbieranie, w tym lokalne punkty zbiórki, sklepy oraz gminne jednostki, tworzą odpowiedni system umożliwiający oddanie tego sprzętu.

Właściwe postępowanie ze zużytym sprzętem elektrycznym i elektronicznym przyczynia się do uniknięcia szkodliwych dla zdrowia ludzi i środowiska naturalnego konsekwencji, wynikających z obecności składników niebezpiecznych oraz niewłaściwego składowania i przetwarzania takiego sprzętu.

# OBSŁUGA

## Sterowanie okapem

Panel sterowania okapu jest przedstawiony na rysunku 4, dla przypomnienia znajduje się on również poniżej:



## Panel sterowania

Jest on wyposażony w panel sensorowy. Aby włączyć wybraną funkcję, dotknij jednego z poniższych pól:

- 1- Zmniejsza prędkość silnika o poziom niżej
- 2- Zwiększa prędkość silnika o poziom wyżej
- 3- Wyświetlacz wskazujący wybraną prędkość. Okap jest wyposażony w 3 lub 4 biegi (w zależności od modelu).
- 4- Funkcja opóźnienia wyłączenia okapu (Timer)
- 5- Włączanie lub wyłączanie oświetlenia. Oświetlenie działa niezależnie od silnika okapu.

Możliwe do ustawienia biegi:

- Bieg najniższy (1). Stosuj ten bieg przy niezbyt dużej ilości oparów.
- Biegi średnie (2 oraz 3\*). Stosuj ten bieg przy średniej ilości oparów, przykładowo podczas gotowania wielu potraw jednocześnie.
- Bieg najwyższy (4\*). Stosuj ten bieg przy największej ilości oparów, przykładowo podczas smażenia czy grillowania.

\* W zależności od modelu

## Timer (opóźnione wyłączenie silnika okapu)

Funkcja ta służy do opóźnionego wyłączenia się silnika okapu. Użyj tej funkcji po zakończonym gotowaniu, by oczyścić powietrze z oparów w pomieszczeniu. Maksymalny czas opóźnienia to 90 minut. Aby włączyć tą funkcję, podczas pracy okapu na dowolnym biegu dotknij sensor . Na wyświetlaczu zaczną migać cyfry . Następnie sensorami oraz wybierz czas opóźnienia wyłączenia w zakresie 1-9 (każdy poziom dodaje 10 minut, przykładowo wybierając cyfrę 2, opóźnienie wyniesie 20 min, wybierając cyfrę 5, opóźnienie wyniesie 50 min itd.). Dotknij powtórnie sensor aby aktywować funkcję. Poprawne ustawienie czasu opóźnienia wyłączenia będzie sygnalizowane miganie kropki przy cyfrze na wyświetlaczu. Aby wyłączyć funkcję opóźnienia wcześniej, dotknij sensor . Następnie sensorem zmniejsz czas opóźnienia do zera. Potwierdź anulowanie opóźnienia wyłączenia okapu sensorem . Funkcja opóźnienia wyłączenia okapu nie spowoduje wyłączenia oświetlenia.

## Sensor zapachu

Aktywna funkcja bada poziom zanieczyszczenia powietrza przy pomocy sensora zapachu. Gdy pojawi się zanieczyszczenie o określonym poziomie, okap automatycznie włączy się na biegu dobranym do intensywności zanieczyszczeń.

- Zmniejszenie poziomu zanieczyszczeń powoduje redukcję prędkości silnika o poziom niżej, aż do całkowitego wyłączenia okapu.
- Brak zmniejszenia poziomu zanieczyszczeń powietrza powoduje wydłużony czas pracy okapu na określonym biegu.
- Zwiększenie poziomu zanieczyszczeń powoduje zwiększenie prędkości silnika okapu.

Przy dużym zanieczyszczeniu powietrza, okap będzie pracował maksymalnie na 4 biegu, będzie on go systematycznie redukował (co 1 minutę) o poziom niżej, aż do całkowitego wyłączenia.

Włączenie funkcji i kalibracja czujnika: Gdy w pomieszczeniu panują normalne warunki i żadna potrawa nie znajduje się w bezpośredniej bliskości urządzenia, podłącz okap do zasilania. Po upływie 5 minut naciśnij i przytrzymaj sensor **-** przez około 2 sekundy. Na wyświetlaczu pojawi się symbol **H**, a kropka koło symbolu będzie migać przez około 1 lub 2 minuty (czas zależy od warunków panujących w pomieszczeniu i może się wydłużyć). Miganie kropki informuje o procesie kalibracji czujnika. Gdy kropka przestanie migać (zniknie), oznacza to, że czujnik został poprawnie skalibrowany i od teraz okap pracuje w trybie automatycznym.

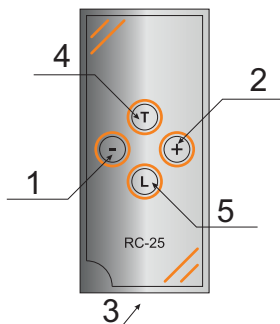
Aby wyłączyć funkcję, naciśnij i przytrzymaj **-** przez około 2 sekundy.

Uwaga: Każdorazowe aktywowanie pracy automatycznej będzie poprzedzone kalibracją. Gdy okap zostanie odłączony od zasilania (przykładowo nastąpi chwilowy zanik napięcia), aktywacja funkcji również zostanie poprzedzona kalibracją.



## Pilot zdalnego sterowania

Na wyposażeniu okapu znajduje się pilot zdalnego sterowania, jest on przedstawiony na rysunku 4a, dla przypomnienia znajduje się on również poniżej:



Okapem można sterować również za pomocą pilota zdalnego sterowania. W tym celu skieruj front pilota w stronę okapu i wybierz odpowiednią funkcję:

- 1- Zmniejsza bieg o poziom niżej
- 2- Zwiększa bieg o poziom wyżej
- 4- Funkcja opóźnienia wyłączenia okapu (Timer)- opis funkcji znajduje się na poprzedniej stronie
- 5- Włącz lub wyłącz oświetlenie. Oświetlenie działa niezależnie od ustawionego biegu.

Pilot fabrycznie nie jest wyposażony w baterię. Należy ją nabyć w odpowiednich placówkach handlowych- Bateria CR2025 3V (jedna sztuka). Aby wymienić baterię wysuń tackę (pozycja 3 na rysunku) znajdującą się w dolnej krawędzi pilota. Umieść na niej baterię zwracając uwagę na odpowiednie oznaczenia biegunów. Wsuń tackę z powrotem.

**Uwaga!** Między pilotem a czujnikiem nie może być żadnych przeszkód. Światło świetlówek może zakłócać komunikację między pilotem a okapem.

## **Inne ważne informacje dotyczące obsługi okapu**

**Praca jako pochłaniacz:** W tej opcji pracy przefiltrowane powietrze wraca z powrotem do pomieszczenia poprzez otwory do tego przystosowane. Przy tym ustawieniu należy zamontować filtr węglowy oraz zaleca się zamontować kierownicę wydmuchu powietrza (dostępność w zależności od modelu, występuje głównie w okapach kominowych).

**Praca jako wyciąg:** W trakcie wyciągowego trybu pracy okapu powietrze odprowadzane jest na zewnątrz specjalnym przewodem. Przy tym ustawieniu należy usunąć ewentualny filtr węglowy. Okap jest podłączony do otworu odprowadzającego powietrze na zewnątrz za pomocą sztywnego lub elastycznego przewodu o średnicy 150 mm lub 120 mm i odpowiednich zacisków do przewodów, które należy nabyć w placówkach z materiałami instalacyjnymi. Podłączenie należy zlecić wykwalifikowanemu instalatorowi.

**Prędkość wentylatora:** Prędkości najniższą i średnią stosuje się przy normalnych warunkach oraz małym natężeniu oparów, natomiast prędkość najwyższą stosować tylko przy dużym stężeniu oparów kuchennych, np. podczas smażenia, czy grillowania.

**Uwaga (dotyczy tylko okapów uniwersalnych):** Konstrukcja okapów uniwersalnych wymaga ręcznej zmiany trybu pracy okapu. Sposób zmiany tego trybu zobrazowany jest na rysunku 8.

**Uwaga (dotyczy tylko okapów meblowych i teleskopowych):** Okapy meblowe i teleskopowe pracujące w trybie pochłaniacza wymagają montażu rury odprowadzającej powietrze. Drugi koniec rury należy skierować na pomieszczenie, przez nią będzie odprowadzane przefiltrowane powietrze.

**Uwaga:** Okapy wiszące pracują tylko w trybie pochłaniacza.

# CZYSZCZENIE I KONSERWACJA

## Konserwacja

Regularna konserwacja i czyszczenie urządzenia zapewni dobrą i bezawaryjną pracę okapu oraz przedłuży jego żywotność. Należy zwracać szczególną uwagę, aby filtr przeciwłuszczowy i filtr z węglem aktywnym były czyszczone i wymieniane zgodnie z zaleceniami producenta.

- Nie używać namoczonych szmatek lub gąbek ani strumienia wody.
- Nie stosować rozpuszczalników ani alkoholu, ponieważ mogą one zmatowić lakierowane powierzchnie.
- Nie stosować substancji żrących, zwłaszcza do czyszczenia powierzchni wykonanych ze stali nierdzewnej.
- Nie używać twardej, szorstkiej szmatki
- Zaleca się stosowanie wilgotnej szmatki oraz obojętnych środków myjących.

Uwaga: Po kilku myciach w zmywarce, kolor filtra aluminiowego może ulec zmianie. Zmiana koloru nie oznacza nieprawidłowości oraz konieczności jego wymiany.

## Filtr przeciwłuszczowy

Aluminiowy filtr przeciwłuszczowy powinien być czyszczony co jeden miesiąc podczas normalnej pracy okapu, w zmywarce lub ręcznie przy użyciu delikatnego detergentu lub mydła w płynie.

Demontaż aluminiowego filtra przeciwłuszczowego pokazany jest na rysunku 5.

W niektórych modelach zastosowany jest filtr akrylowy. Należy go wymieniać co najmniej raz na 2 miesiące lub częściej w wypadku wyjątkowo intensywnego użycia.

## Filtr węglowy

Filtr węglowy stosuje się wyłącznie wtedy, kiedy okap nie jest podłączony do przewodu wentylacyjnego. Filtr z węglem aktywnym posiada zdolność pochłaniania zapachów aż do swego nasycenia. Nie nadaje się także do mycia ani do regeneracji i powinien być wymieniany, co najmniej raz na 2 miesiące lub częściej w wypadku wyjątkowo intensywnego użycia.

Demontaż filtra węglowego pokazany jest na rysunku 6.

## Oświetlenie

Należy stosować żarówki / halogeny / moduły diodowe o takich samych parametrach jak fabrycznie zamontowane w urządzeniu. Wymiana oświetlenia jest pokazana na rysunku 7. Jeżeli rysunek nie występuje w niniejszej instrukcji, wymiany modułu oświetlenia może dokonać jedynie autoryzowany serwis.

# GWARANCJA, OBSŁUGA POSPRZEDAŻOWA

## Gwarancja

Świadczenia gwarancyjne wg karty gwarancyjnej. Producent nie odpowiada za jakiegokolwiek szkody spowodowane nieprawidłowym postępowaniem z wyrobem.



**Producent sprzętu sugeruje, by wszelkie naprawy i czynności regulacyjne były wykonywane przez Serwis Fabryczny lub Serwis Autoryzowany producenta. Napraw powinna dokonywać jedynie osoba posiadająca stosowne kwalifikacje.**

### Oświadczenie producenta

Producent deklaruje niniejszym, że wyrób ten spełnia zasadnicze wymagania wymienionych poniżej dyrektyw europejskich:

- **dyrektywy niskonapięciowej 2014/35/UE**
- **dyrektywy kompatybilności elektromagnetycznej 2014/30/UE**
- **dyrektywy ekoprojektowania 2009/125/UE**
- **dyrektywy RoHS 2011/65/UE**

i dlatego wyrób został oznakowany  oraz została wystawiona dla niego deklaracja zgodności udostępniana organom nadzorującym rynek.

# Vážený kliente,

počínaje dnešním dnem jsou každodenní povinnosti jednodušší než kdykoli jindy. Zařízení **Amica** je spojením výjimečně snadné obsluhy a vynikající efektivity. Po přečtení návodu nebudete mít problém s obsluhou.

Zařízení, které opustilo továrnu, bylo důkladně zkontrolováno před zabalením z hlediska bezpečnosti a funkčnosti na kontrolních stanovištích.

Před uvedením zařízení do provozu si pozorně přečtěte návod k obsluze. Dodržováním pokynů uvedených v návodu předejdete nesprávnému používání. Návod si ponechte a uschovejte tak, abyste jej měli vždy při ruce.

**Dodržujte přesně návod k obsluze, abyste zabránili nešťastným událostem.**

S úctou

## **Amica**

# BEZPEČNOSTNÍ POKYNY

- Odsavač používejte teprve po přečtení tohoto návodu!
- Zařízení je určeno výlučně pro domácí použití.
- Výrobce si vyhrazuje možnost provádění změn, které nemají vliv na funkčnost zařízení.
- Výrobce nenesе žádnou odpovědnost za eventuální škody nebo požár způsobené zařízením, vyplývající z nedodržování pokynů uvedených v tomto návodu.
- Kuchyňský odsavač slouží k odstraňování kuchyňských výparů. Nepoužívejte jej pro jiné účely.
- Odsavač pracující v odtahovém režimu napojte na příslušný ventilační kanál (nenapojujte na komínové, kouřové nebo spalínové kanály, které jsou v provozu). Odsavač musí mít namontované potrubí odvádějící vzduch ven. Délka potrubí (nejčastěji roura Ø 120 nebo 150 mm) nesmí být delší než 4–5 m. Potrubí odvádějící vzduch se rovněž vyžaduje u teleskopických a nábytkových odsavačů v režimu pohlcovače.
- Odsavač pracující jako pohlcovač vyžaduje filtr s aktivním uhlím. V tomto případě není nutná montáž potrubí odvádějícího vzduch ven, zato se doporučuje namontovat zpětnou klapku vzduchu (pouze komínové odsavače).
- Odsavač má nezávislé osvětlení a odtahový ventilátor s možností nastavení jedné z několika rychlostí otáček.
- V závislosti na verzi zařízení je odsavač určen pro trvalé připevnění na svislou stěnu nad plynový nebo elektrický sporák (komínové a univerzální odsavače); na strop nad plynový nebo elektrický sporák (ostrůvkové odsavače); na svislou stěnu v kuchyňské lince nad plynový nebo elektrický sporák (teleskopické a vestavné odsavače). Před

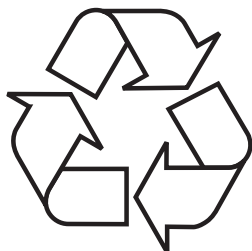
montáží se ujistěte, že konstrukce stěny/stropu udrží hmotnost odsavače. Některé modely odsavačů jsou velmi těžké.

- Montážní výška zařízení nad elektrickou deskou je uvedena v technickém listu (technické specifikaci zařízení). Pokud v montážních návodech plynových zařízení je uvedena větší vzdálenost, zohledněte to (Obr. 1).
- Pod kuchyňským odsavačem nenechávejte otevřený plamen při sundávání nádobí z hořáku, nastavte minimální plamen. Vždy zkontrolujte, zda plamen nepřesahuje přes okraj nádoby, protože to způsobuje nežádoucí ztráty energie a nebezpečnou koncentraci tepla.
- Na pokrmy připravované na tuku neustále dohlížejte, protože rozehrátý tuk se může snadno vznítit.
- Před každým čištěním, výměnou filtru nebo před zahájením opravy vyjměte zástrčku zařízení ze zásuvky.
- Protitukový filtr do kuchyňského odsavače čistěte alespoň jednou za měsíc, protože nasáknutý tukem je lehce hořlavý.
- Pokud jsou v místnosti v provozu kromě odsavače jiná zařízení s neelektrickým napájením (např. kamna na kapalné palivo, průtokové ohřivače, termy), zajistěte dostatečné větrání (přívod vzduchu). Bezpečné používání je možné, když při současném provozu odsavače a spalovacích zařízení, závislých na vzduchu v místnosti, je v místě postavení těchto zařízení podtlak nanejvýš 0,004 milibaru (tento bod neplatí, pokud kuchyňský odsavač používáte jako pohlcovač pachů).
- Odsavač nemá sloužit jako plocha pro opření se osob nacházejících se v kuchyni.
- Okap často čistěte jak z vnějšku, tak i uvnitř (ALESPON JEDNOU ZA MĚSÍC, s dodržением pokynů ohledně údržby uvedených v tomto návodu). Nedodržování zásad týkajících se čištění odsavače a výměny filtrů způsobuje nebezpečí požáru.

- Pokud se napájecí kabel poškodí, musí být vyměněn ve specializovaném servisu.
- Zajistěte možnost odpojení zařízení od elektrického napájení vytažením zástrčky nebo vypnutím dvoupólového vypínače.
- Toto zařízení není přizpůsobeno používání osobami (včetně dětí) s omezenou fyzickou, smyslovou nebo psychickou schopností nebo osobami s nedostatečnými zkušenostmi a znalostí zařízení, ledaže jej používají pod dohledem nebo v souladu s návodem k používání zařízení, předaným osobami zodpovídajícími za jejich bezpečnost.
- Všimněte si pozorně, aby zařízení nepoužívaly děti ponechané bez dozoru.
- Zkontrolujte, zda napětí uvedené na výrobním štítku odpovídá místním parametrům napájení.
- Před montáží roztáhněte a vyrovnejte síťový kabel.
- Obalové materiály (polyetylenové sáčky, pěnový polystyren apod.) nenechávejte při vybalování v dosahu dětí.
- Před připojením odsavače k elektrickému napájení vždy zkontrolujte, zda je síťový kabel správně nainstalován a zda NEBYL přimáčknutý odsavačem při montáži. **NEPŘIPOJUJTE** zařízení k elektrické síti před ukončením montáže.
- Je zakázáno používat odsavač bez namontovaných hliníkových protitukových filtrů.
- Přísně je zakázáno připravovat pod odsavačem pokrmy na otevřeném ohni (flambování).
- V rámci nutnosti použití technických a bezpečnostních opatření týkajících se odvádění spalin dodržujte přesně předpisy vydané kompetentními místními orgány.
- Neutažení šroubů a upevňovacích prvků podle těchto pokynů může vést k ohrožení zdraví a života.
- Závěsné odsavače fungují pouze v režimu pohlcovače pachů



# VYBALENÍ



Zařízení bylo po dobu přepravy zabezpečeno proti poškození. Po vybalení zařízení odstraňte části obalu způsobem, který neohrožuje životní prostředí.

Všechny materiály použité na obal jsou stoprocentně neškodné pro životní prostředí a jsou vhodné pro zpětné získání a byly označeny příslušným symbolem. Upozornění! Obalové materiály (polyetylenové sáčky, pěnový polystyren apod.) nenechávejte při vybalování v dosahu dětí.

# LIKVIDACE OPOTŘEBOVANÝCH ZAŘÍZENÍ



Toto zařízení je označeno v souladu s evropskou směrnicí 2012/19/ES a také s polským zákonem o použitých elektrických a elektronických zařízeních symbolem přeškrtnutého kontejneru na odpad. Takové označení znamená, že toto zařízení se po ukončení životnosti nesmí vyhazovat společně

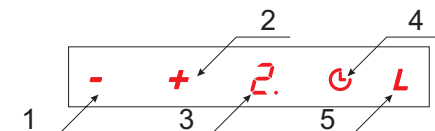
s jiným domácím odpadem. Uživatel je povinen odevzdat jej do sběrný použitých elektrických a elektronických zařízení. Provádějící sběr, včetně místních sběrů, obchodů a obecních úřadů, tvoří systém umožňující odevzdávání těchto zařízení.

Příslušné nakládání s použitými elektrickými a elektronickými zařízeními zabranuje negativním následkům pro lidské zdraví a životní prostředí, vznikajícím z přítomnosti nebezpečných složek a nesprávného skladování a zužitkování takových zařízení.

# OBSLUHA

## Ovládání odsavače

Ovládací panel odsavače je znázorněn na obrázku 4, pro připomenutí nachází se také níže:



## Ovládací panel

Je vybaven senzorovým panelem. Chcete-li zapnout vybranou funkci, dotkněte se jednoho z níže uvedených polí:

- 1- Snižuje rychlost motoru o úroveň níže
- 2- Zvyšuje rychlost motoru o úroveň výše
- 3- Displej zobrazující vybranou rychlost. Odsavač je vybaven 3 nebo 4 rychlostmi (v závislosti na modelu).
- 4- Funkce opožděného vypnutí odsavače (časovač)
- 5- Zapnutí nebo vypnutí osvětlení. Osvětlení funguje nezávisle na motoru odsavače.

Rychlosti možné pro nastavení:

- Nejnižší rychlost (1). Tuto rychlost používejte při malém množství páry.
- Střední rychlosti (2 a 3\*). Tuto rychlost používejte při středním množství páry, například při vaření více pokrmů najednou.
- Nejvyšší rychlost (4). Tuto rychlost používejte při největším množství páry, například při smažení nebo grilování.

\*V závislosti na modelu

## Časovač (opožděné vypnutí motoru odsavače)

Tato funkce slouží k opožděnému vypnutí motoru odsavače. Tuto funkci použijte po ukončení vaření, abyste očistili vzduch v místnosti od výparů. Maximální doba opoždění je 90 minut. Pokud chcete zapnout tuto funkci, dotkněte se během provozu odsavače s libovolnou rychlostí senzoru . Na displeji začne blikat číslice . Pak pomocí senzorů a vyberte čas opožděného vypnutí v rozsahu 1–9 (každá úroveň přidává 10 minut, například při výběru číslice 2 bude prodloužení činit 20 min., při výběru číslice 5 bude prodloužení činit 50 min. atd.). Dotkněte se opět senzoru , abyste aktivovali funkci. Správné nastavení času opožděného vypnutí bude indikovat blikání tečky u číslice na displeji. Chcete-li vypnout funkci opožděného vypnutí dříve, dotkněte se senzoru . Pak senzorem snižte čas prodloužení na nulu. Potvrďte stornování opožděného vypnutí odsavače senzorem . Funkce opožděného vypnutí odsavače nezpůsobí vypnutí osvětlení.

## Senzor zápachu

Aktivní funkce měří úroveň znečištění ovzduší pomocí senzoru zápachu. Jakmile zjistí stanovenou úroveň znečištění, odsavač se automaticky zapne s rychlostí přizpůsobenou stupni znečištění.

- Snížení úrovně znečištění sníží rychlost motoru na nižší stupeň, až se odsavač úplně vypne.
- Nesnížená úroveň znečištění ovzduší prodlužuje provoz odsavače se stanovenou rychlostí.
- Zvýšení úrovně znečištění zvýší rychlost motoru odsavače.

Při velkém znečištění ovzduší bude odsavač pracovat s maximální 4. rychlostí, bude ji pravidelně snižovat (každou 1 minutu) na nižší stupeň, až se úplně vypne.

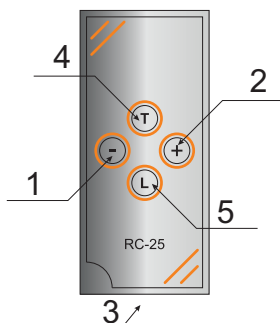
Zapnutí funkce a kalibrace senzoru: Pokud v místnosti panují normální podmínky a v bezprostřední blízkosti zařízení není žádné jídlo, připojte odsavač k napájení. Po uplynutí 5 minut stiskněte senzor **■** a přidržte jej asi na 2 sekundy. Na displeji se zobrazí symbol **H** a tečka u symbolu bude blikat asi 1 až 2 minuty (čas závisí na podmínkách panujících v místnosti a může se prodloužit). Blikání tečky oznamuje proces kalibrace senzoru. Jakmile tečka přestane blikat (zmizí), znamená to, že senzor byl správně zkalibrován a nyní odsavač pracuje v automatickém režimu.

Chcete-li vypnout funkci, stiskněte **■** a přidržte jej asi na 2 sekundy.

Upozornění: Každému automatickému spuštění odsavače bude předcházet kalibrace. Pokud odsavač nebude napájen (například dočasný výpadek síťového napětí), aktivaci funkce bude také předcházet kalibrace.

## Dálkový ovladač

Odsavač je vybaven dálkovým ovladačem, je znázorněn na obrázku 4a, pro připomenutí se nachází také níže:



Odsavač můžete ovládat také pomocí dálkového ovladače. Za tímto účelem nasměrujte ovladač na čelní stranu odsavače a vyberte příslušnou funkci:

- 1- Sníží rychlost na nižší úroveň
- 2- Zvýší rychlost na vyšší úroveň
- 4- Funkce opožděného vypnutí odsavače (Časovač) – popis funkce je uveden na předchozí stránce
- 5- Zapnout nebo vypnout osvětlení. Osvětlení funguje nezávisle na nastavené rychlosti.

Baterie není součástí dodávky. Můžete ji koupit v určitých obchodech – Baterie CR2025 3V (jeden kus). Chcete-li vyměnit baterii, vysuňte táč (položka 3 na obrázku) nacházející se na spodní straně ovladače. Umístěte na něj baterii, dávejte přitom pozor na označení polarity. Táč zasuněte zpět.

**Upozornění!** Mezi ovladačem a senzorem nesmí být žádné překážky. Světlo zářivek může narušovat komunikaci mezi ovladačem a odsavačem.

## **Jiné důležité informace o obsluze odsavače**

Provoz jako pohlčovač: V tomto provozním režimu se přefiltrovaný vzduch vrací zpět do místnosti k tomu přizpůsobenými otvory. Při tomto nastavení nainstalujte uhlíkový filtr a doporučuje se montáž zpětné vzduchové klapky (dostupnost v závislosti na modelu, vyskytuje se hlavně v komínových odsavačích).

Provoz jako odtah: Během odtahového provozního režimu odsavače je vzduch odváděn vně speciálním potrubím. Při tomto nastavení odstraňte eventuální uhlíkový filtr. Odsavač je připojen k otvoru odvádějícímu vzduch ven pomocí tuhého nebo pružného potrubí o průměru 150 mm nebo 120 mm a vhodných svorek k potrubím, které je třeba zakoupit v prodejnách s instalačním materiálem. Připojení svěřte kvalifikovanému pracovníkovi.

Rychlost ventilátoru: Nejnižší a střední rychlost používejte za normálních podmínek a při nízké koncentraci výparů, zatímco nejvyšší rychlost používejte pouze při vysoké koncentraci kuchyňských výparů, např. při smažení nebo grilování.

Poznámka (týká se pouze univerzálních odsavačů): Konstrukce univerzálních odsavačů vyžaduje manuální změnu provozního režimu odsavače. Způsob změny tohoto režimu je znázorněn na obrázku 8.

Poznámka (týká se pouze nábytkových a teleskopických odsavačů): Nábytkové a teleskopické odsavače pracující jako pohlčovač vyžadují montáž roury odvádějící vzduch. Druhý konec roury nasměrujte do místnosti, rourou bude odváděn filtrovaný vzduch.

Upozornění: Závěsné odsavače pracují pouze jako pohlčovač.

# ČIŠTĚNÍ A ÚDRŽBA

## Údržba

Pravidelná údržba a pravidelné čištění zařízení zajistí správný a bezporuchový provoz odsavače a prodlouží jeho životnost. Věnujte zvláštní pozornost tomu, aby se protitukový filtr a filtr s aktivním uhlím čistily a měnily podle pokynů výrobce.

- Nepoužívejte navlhčené hadříky nebo houby a také proud vody.
- Nepoužívejte rozpouštědla a alkohol, protože by mohly zmatnit lakované povrchy.
- Nepoužívejte leptavé látky, zejména na čištění povrchů z nerezové oceli.
- Nepoužívejte tvrdý, drsný hadřík.
- Doporučuje se používat vlhký hadřík a neutrální čisticí přípravky.

Upozornění: Po několika mytích v myčce se může změnit barva hliníkového filtru. Změna barvy neznamena odchylku a nutnost jeho výměny.

## Protitukový filtr

Hliníkový protitukový filtr čistěte jednou za měsíc během normálního provozu odsavače, v myčce nebo ručně jemným čisticím přípravkem nebo tekutým mýdlem.

Demontáž hliníkového protitukového filtru je znázorněna na obrázku 5.

U některých modelů se používá akrylový filtr. Měňte jej alespoň jednou za dva měsíce nebo častěji v případě výjimečně intenzivního používání.

## Uhlíkový filtr

Uhlíkový filtr používejte pouze v případě, když odsavač není připojen k ventilačnímu kanálu. Filtr s aktivním uhlím má schopnost pohlcovat pachy až do svého nasycení. Není vhodný také k mytí a regeneraci a musí se měnit alespoň jednou za dva měsíce nebo častěji v případě výjimečně intenzivního používání.

Demontáž uhlíkového filtru je znázorněna na obrázku 6.

## Osvětlení

Používejte žárovky / halogeny / diodové moduly se stejnými parametry jako u původních namontovaných v zařízení. Výměna žárovek je znázorněna na obrázku 7. Pokud obrázek není v tomto návodu, výměnu osvětlovacího modulu může provést pouze autorizovaný servis.

# ZÁRUKA, POPRODEJNÍ SERVIS

## Záruka

Záruční plnění podle záručního listu. Výrobce neodpovídá za žádné škody způsobené nesprávným zacházením s výrobkem.



**Výrobce zařízení doporučuje, aby všechny opravy a seřizovací činnosti prováděl tovární servis nebo autorizovaný servis výrobce. Opravy musí provádět pouze osoba s příslušnou kvalifikací.**

## Prohlášení výrobce

Producent tímto prohlašuje, že tento výrobek splňuje základní požadavky níže uvedených evropských směrnic:

- směrnice pro nízkonapěťová zařízení 2014/35/EC
- směrnice o elektromagnetické kompatibilitě 2014/30/EC
- směrnice ErP - 2009/125/EC
- směrnice RoHS 2011/65/EC

a proto byl spotřebič označen **CE** a také bylo pro něho vystaveno prohlášení o shodě poskytované orgánům pro dohled nad trhem.

# Vážený zákazník

Od dnešného dňa každodenné povinnosti budú jednoduchšie ako kedykoľvek predtým. Zariadenie **Amica** značky Amica spája výnimočne jednoduché používanie a dokonalú efektívnosť. Keď sa oboznámíte s užívateľskou príručkou, s používaním zariadenia nebudete mať žiadne problémy.

Zariadenie, ktoré opúšťa továreň, bolo pred konečným zabalením na kontrolných staniciach dôkladne skontrolované, čo sa týka bezpečnosti a funkčnosti zariadenia.

Pred spustením zariadenia sa podrobne a dôkladne oboznámte s užívateľskou príručkou. Dodržiavaním pokynov a odporúčaní, ktoré sú v príručke uvedené, predídete nesprávnemu používaniu zariadenia. Príručku uchovajte a uložte ju na takom mieste, aby bola v prípade potreby ľahko dostupná.

**Dôkladne dodržiavajte pokyny a odporúčania uvedené v príručke, vyhnete sa tak nešťastným nehodám či úrazom.**

S úctou

**Amica**



# BEZPEČNOSTNÉ POKYNY POUŽÍVANIA

- Odsávač používajte iba po prečítaní tohto návodu!
- Zariadenie je určené iba na domáce, neprofesionálne použitie.
- Výrobca si vyhradzuje právo na vykonávanie zmien, ktoré neovplyvňujú fungovanie zariadenia.
- Výrobca nezodpovedá za prípadné škody alebo požiare spôsobené zariadením následkom nedodržiavania pokynov a odporúčaní, ktoré sú uvedené v tejto príručke.
- Kuchynský odsávač sa používa na odstraňovanie (odsávanie) kuchynských pár. Nepoužívajte ho na iné účely.
- Odsávač, ktorý funguje v režime odsávania, pripojte k príslušnému ventilačnému potrubiu (nepripájajte ku komínovým, dymovým alebo spalinovým potrubiam, ktoré sú v prevádzke). Odsávač vyžaduje inštaláciu potrubia, ktoré odvádza vzduch smerom von z miestnosti. Dĺžka potrubia (najčastejšie rúra  $\varnothing$  120 alebo 150 mm) nesmie byť dlhšia ako 4-5 m. Potrubie odvádzajúce vzduch sa musí používať aj v prípade teleskopických a vstavaných odsávačov používaných v režime pohlčovania
- Odsávač, ktorý je nastavený režime pohlčovania, vyžaduje inštaláciu filtra s aktívnym uhlím. V tomto prípade sa nevyžaduje inštalácia potrubia odvádzajúceho vzduch von, odporúča sa však montáž usmerňovača prúdu vzduchu (iba komínové odsávače).
- Odsávač má nezávislé osvetlenie a tiež odťahový ventilátor s možnosťou nastaviť jednu z niekoľkých rýchlostí otáčania.

- V závislosti na verzii zariadenia je odsávač určený na trvale pripevnenie na zvislú stenu nad plynovým alebo elektrickým sporákom (komínové a univerzálne odsávače); na strop nad plynovým alebo elektrickým sporákom (ostrovne odsávače); na zvislú stenu v zabudovanom nábytku nad plynovým alebo elektrickým sporákom (teleskopické a vstavané odsávače). Pred inštaláciou sa uistite, či konštrukcia steny / stropu je dostatočná na udržanie odsávača. Niektoré modely odsávačov sú veľmi ťažké.
- Výška inštalácie zariadenia nad elektrickou varnou doskou je uvedená v liste výrobku (technickej špecifikácii zariadenia). Ak je v montážnej príručke plynových zariadení uvedená väčšia vzdialenosť, musí to byť pri montáži zohľadnené (obr. 1).
- Pod kuchynským odsávačom nenechávajte otvorený oheň, pri vyberaní riadu z horáku nastavte minimálny plameň. Vždy skontrolujte, či plameň nepresahuje poza riad, pretože to spôsobuje nežiaduce straty energie a nebezpečnú koncentráciu tepla.
- Jedlá pripravované na tuku/oleji musia byť pod stálym dohľadom, pretože nahriaty olej/tuk sa môže ľahko zapáliť.
- Pred každou manipuláciou, napr. čistenie, výmena filtra alebo pred začatím servisných prác, odsávač pár sa musí odpojiť od elektrického napätia.
- Protitukový filter do kuchynského odsávača sa musí čistiť minimálne raz mesačne, keďže zachytený tuk je ľahko horľavý.
- Ak sa v miestnosti, okrem odsávača, využívajú iné zariadenia s neelektickým spaľovaním (napr. pece na tekuté palivo, prietokové ohrievače), musí sa zabezpečiť dostatočné vetranie (prísun vzduchu). Bezpečné používanie je možné vtedy, ak pri súčasnom používaní odsávača a iných zariadení,

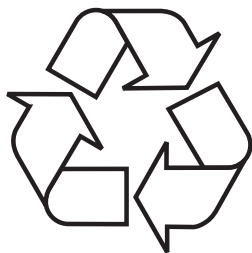
ktoré spotrebúvajú vzduch v danej miestnosti, na mieste používania týchto zariadení je podtlak maximálne 0,004 milibaru (tieto požiadavky sa nemusia splniť v prípade, ak sa odsávač používa v režime pohlcovača pár).

- Odsávač sa nesmie používať ako plocha na opieranie osôb, ktoré sú v kuchyni.
- Odsávač často čistite, tak z vonku ako aj z vnútra (MINIMALNE RAZ MESACNE), pričom dodržiavajte pokyny uvedené v tejto príručke. V prípade nedodržiavania zásad týkajúcich sa čistenia odsávača, ako aj výmeny filtrov, hrozí riziko vzniku požiaru.
- Ak bude napájací kábel bude poškodený, musí byť vymenený v špecializovanom servise.
- Zabezpečte možnosť odpojenia zariadenia od el. napätia vytiahnutím zástrčky z el. zásuvky, alebo vypnutím dvojpólového vypínača.
- Toto zariadenie nie je prispôbené k používaniu osobami (v tom deťmi) s obmedzenou fyzickou, zmyslovou alebo psychickou schopnosťou alebo osobami s nedostatočnými skúsenosťami a znalosťami zariadenia, iba ak je uskutočňované pod dohľadom alebo v súlade s návodom používania zariadenia, odovzdanom osobami odpovedajúcimi za ich bezpečnosť.
- Venujte mimoriadnu pozornosť tomu, aby spotrebič nepoužívali deti ponechané bez dozoru.
- Skontrolujte, či el. napätie uvedené na výrobnom štítku zariadenia sa zhoduje s parametrami el. napätia siete.
- Pred montážou napájací kábel rozviňte a vyrovnajte.
- Dávajte pozor, aby sa obalové materiály (polyetylénové vrecká, kúsky polystyrénu atď.) nedostali do rúk deťom.
- Pred pripojením odsávača k sieťovému napájaniu vždy skontrolujte, či bol napájací kábel správne

nainštalovaný a či NEBOL pritlačený odsávačom počas montážnych prác. Zariadenie nepripájajte k el. napätiu predtým, než úplne skončíte montáž zariadenia.

- Odsávač sa nesmie používať bez namontovaných hliníkových protitukových filtrov.
- Pod odsávačom sa v žiadnom prípade nesmú pripravovať jedlá s použitím otvoreného ohňa (flambovanie). Je to prísne zakázané.
- Čo sa týka dodržiavania požadovaných technických a bezpečnostných prostriedkov a pokynov týkajúcich sa odvádzania spalín, bezpodmienečne dodržujte platné miestne predpisy a normy.
- V prípade, ak skrutky, ako aj montážne a upevňujúce prvky nebudú správne (v súlade s touto príručkou) dotiahnuté (upevnené), hrozí riziko úrazu, či dokonca smrti.
- Visiace odsávače fungujú iba v režime pohlcovania pachov.

## ROZBALENIE



Zariadenie je chránené pred poškodením počas prepravy. Prosíme Vás, aby ste po vybalení zariadenia zlikvidovali obalové materiály spôsobom neohrozujúcim životné prostredie.

Všetky materiály použité na zabalenie sú neškodné pre životné prostredie, sú 100% recyklovateľné a sú označe-

né príslušným symbolom.

Pozor! Dávajte pozor, aby sa obalové materiály (polyetylenové vrecká, kusky polystyrenu atď.) nedostali do rúk deťom.

## LIKVIDÁCIA ZARIADENÍ



Toto zariadenie je označené v súlade s Európskou smernicou 2012/19/ES a poľským Zákonom o opotrebovaných elektrických a elektronických zariadení príslušným symbolom prečiarknutého kontajneru na odpady. Tento symbol informuje, že toto zariadenie sa po opotrebovaní (skončení používania) nesmie vyhodit' do komunálneho odpadu.

Užívateľ je povinný zariadenie odovzdať v zbernom mieste opotrebovaných elektrických a elektronických zariadení. Subjekty, ktoré sa zaoberajú spracovaním opotrebovaných zariadení, tzn. miestne zberné miesta, obchody alebo jednotky štátnej správy, vytvárajú príslušný systém, ktorý každému umožňuje odovzdať takéto zariadenia.

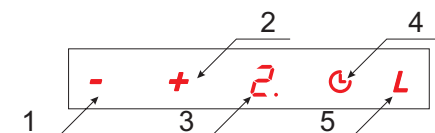
Správny postup pri likvidácii elektrického a elektronického zariadenia predchádza negatívnemu vplyvu škodlivých pre ľudské zdravie a životné prostredie konzekvencií, ktoré vyplývajú z prítomnosti nebezpečných častí ako aj nesprávneho skladovania a recyklácie takýchto zariadení.

Správny postup pri likvidácii elektrického a elektronického zariadenia predchádza negatívnemu vplyvu škodlivých pre ľudské zdravie a životné prostredie konzekvencií, ktoré vyplývajú z prítomnosti nebezpečných častí ako aj nesprávneho skladovania a recyklácie takýchto zariadení.

# OBSLUHA

## Ovládanie odsávača

Ovládací panel odsávača je zobrazený na obr. 4, na pripomenutie je uvedený aj nižšie:



## Ovládací panel

Ovládací panel tvorí dotykový panel. Jednotlivé funkcie sa aktivujú dotykom nasledujúcich tlačidiel (polí):




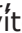




- 1- Zníženie rýchlosti motora o jednu úroveň dole
- 2- Zvýšenie rýchlosti motora o jednu úroveň hore
- 3- Displej zobrazujúci aktuálne nastavenú rýchlosť. Odsávač má 3 alebo 4 rýchlosti (závisí od daného modelu).
- 4- Funkcia oneskoreného vypnutia (časovač)
- 5- Zapínanie/vypínanie osvetlenia. Osvetlenie funguje nezávisle od motora odsávača.

Dostupné rýchlosti motora (odsávania):

- Najnižšia rýchlosť (1). Túto rýchlosť používajte, keď sa nevytvára príliš veľa pary.
- Stredná rýchlosť (2 a 3 \*). Túto rýchlosť používajte, keď sa vytvára stredne veľké množstvo pary, napr. pri varení niekoľkých jedál súčasne.
- Najvyššia rýchlosť (4\*). Túto rýchlosť používajte, keď sa vytvára veľké množstvo pary, napr. pri vyprášaní či grilovaní.

\* Závisí od daného model

## Časovač (oneskorené vypnutie motora odsávača)


Táto funkcia je určená na nastavenie oneskoreného vypnutia odsávania. Funkcia je vhodná napr. vtedy, keď chcete po skončení varenia odsáť všetky pary (zápach) z miestnosti. Maximálny čas oneskorenia je 90 minút. Keď chcete spustiť túto funkciu, keď je odsávač spustený na ľubovoľnej rýchlosti, stlačte snímač . Na displeji začne blikať číslica . Následne stlačením snímača  a  nastavíte požadovaný čas vypnutia, v rozsahu od 1 do 9 (v krokoch po 10 minút, napríklad keď nastavíte 2, odsávač sa vypne po 20 min., keď nastavíte 5, odsávač sa vypne po 50 min. atď.). Funkciu aktivujete opätovným stlačením snímača . Keď je čas oneskoreného vypnutia nastavený správne, na displeji bude pri číslici blikať bodka. Keď chcete funkciu oneskoreného vypnutia vypnúť škôr, opätovne stlačte snímač . Následne stlačením snímača  znížte čas oneskorenia na nulu. Zrušenie oneskoreného vypnutia odsávača potvrdíte stlačením snímača . Funkcia oneskoreného vypnutia nevypína osvetlenie (je nezávislé).

## Snímač zápachu

Keď je funkcia aktívna, pomocou snímača zápachu deteguje úroveň znečistenia vzduchu. Keď snímač deteguje znečistenie na určitej úrovni, automaticky spustí odsávač na adekvátnej rýchlosti podľa úrovne znečistenia vzduchu.

- Keď sa úroveň znečistenia vzduchu zmenší, zníži sa aj rýchlosť motora (o jednu úroveň), až kým sa odsávač úplne nevypne.
- Keď sa úroveň znečistenia vzduchu nezmení, odsávač bude na danej rýchlosti spustený dlhšie.
- V prípade, keď sa úroveň znečistenia vzduchu zväčší, zvýši sa aj rýchlosť motora odsávača.

Keď je úroveň znečistenia vzduchu vysoká, odsávač sa spustí na najvyššej (4.) rýchlosti, následne sa rýchlosť bude znižovať (každú 1 minútu) o jednu úroveň, až kým sa odsávač úplne nevypne.

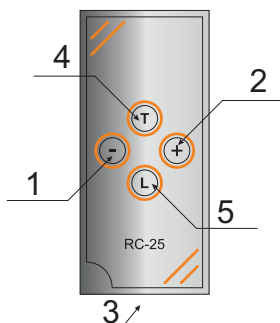
Zapnutie funkcie a kalibrácia snímača: Keď sú v miestnosti normálne podmienky a žiadne jedlo sa nenachádza v priamej blízkosti zariadenia, pripojte odsávač k el. napätiu. Po približne 5 minútach stlačte a podržte snímač — na cca 2 sekundy. Na displeji sa zobrazí symbol , bodka pri symbole bude blikať cca 1 až 2 minúty (trvanie procesu závisí od podmienok v danej miestnosti, môže byť aj dlhšie). Blikajúca bodka informuje o prebiehajúcom procese kalibrácie snímača. Keď bodka prestane blikať (nezobrazuje sa), znamená to, že kalibrácia snímača prebehla správne, odteraz je odsávač spustený v automatickom režime.

Keď chcete funkciu vypnúť, stlačte a podržte — na cca 2 sekundy.

Pozor: Snímač sa bude kalibrovať vždy pri každom spustení automatického režimu. Snímač sa bude pred spustením automatického režimu kalibrovať aj vtedy, keď dôjde k odpojeniu odsávača od el. napätia (napr. v prípade poruchy).

## Diaľkový ovládač

Súčasťou vybavenia odsávača je diaľkový ovládač, ktorý je predstavený na obrázku 4a, na pripomenutie je uvedený aj nižšie:



Odsávač môžete ovládať aj pomocou diaľkového ovládača. Keď to chcete urobiť, čelnou stranou ovládača namerte na odsávač a vyberte požadovanú funkciu:

- 1- Zníženie rýchlosti o jednu úroveň
- 2- Zvýšenie rýchlosti o jednu úroveň
- 4- Funkcia oneskoreného vypnutia (časovač) – opis funkcie je uvedený na predchádzajúcej strane
- 5- Zapnutie/vypnutie osvetlenia. Osvetlenie funguje nezávisle od aktuálnej rýchlosti.

Batérie nie sú súčasťou továrenského balenia ovládača. Batérie sa kupujú samostatne - použite batériu typu CR2025 3V (jeden kus). Keď chcete batériu vymeniť, vysuňte tácku (položka 3 na schematickom obrázku), ktorá sa nachádza v dolnej časti ovládača. Vyberte starú a vložte novú batériu, pričom zachovajte správny smer pólov, podľa uvedených symbolov. Tácku batérie zasunúť naspäť.

**Pozor!** Medzi diaľkovým ovládačom a senzorom nesmú byť žiadne prekážky. Svetlo žiariviek môže rušiť komunikáciu medzi ovládačom a odsávačom.



## **Iné dôležité informácie týkajúce sa používania odsávača**

**Režim pohlčovania:** V tomto režime sa prefiltrovaný vzduch cez otvory, ktoré sú na to určené, vracia späť do miestnosti (recirkulácia). Pri tomto nastavení sa musí namontovať uhlíkový filter, a tiež odporúčame namontovať smerovač (difúzor) vychádzajúceho vzduchu (dostupný pre každý model, používa sa predovšetkým v komínových odsávačoch).

**Režim odsávania:** V tomto režime odsávač odvádza vzduch vonku špeciálnym potrubím. V tomto režime nepoužívajte uhlíkový filter (ak je vložený, vyberte ho). Odsávač pár sa pripája k ventilačnému komínu pomocou pevných alebo elastický rúr s priemerom 150 mm alebo 120 mm a príslušných spojok, ktoré si môžete zaobstaráť v obchodoch s inštaláčnymi materiálmi. Pripojenie je potrebné zadať kvalifikovanému technikovi.

**Rýchlosť ventilátora:** Najnižšia a stredná rýchlosť ventilátora sa používa v normálnych podmienkach a pri malej koncentrácii pár. Najvyššia rýchlosť sa používa iba v prípade vysokej koncentrácie kuchynských pár, napr. počas smaženia, grilovania.

**Pozor (týka sa iba univerzálnych odsávačov):** Univerzálne odsávače sú skonštruované tak, že zmena režimu práce odsávača sa musí vykonať ručne. Spôsob zmeny režimu je znázornený na obrázku 8.

**Pozor (týka sa iba vstavaných a teleskopických odsávačov):** Vstavané a teleskopické odsávače používané v režime pohlčovania, musia mať namontované potrubie odvádzajúce vzduch. Druhý koniec potrubia je potrebné nasmerovať do miestnosti, tadiaľ bude odvádzaný prefiltrovaný vzduch.

**Pozor:** Visiace odsávače fungujú iba v režime pohlčovania.

# ČISTENIE A ÚDRŽBA

## Konzervácia

Pravidelné čistenie a údržba zariadenia zaručujú dobré fungovanie odsávača a zároveň predlžujú jeho životnosť. Dôležité je pravidelné čistenie protitukových filtrov a výmena uhlíkových filtrov v súlade s odporúčaniami výrobcu.

- Nepoužívajte vlhké handričky alebo špongie ani prúd vody.
- Nepoužívajte riedidlá ani alkohol, pretože by mohli zmatnieť lakované povrchy.
- Nepoužívajte leptavé látky, najmä na čistenie povrchov z nerezovej oceli.
- Nepoužívajte tvrdé, drsné handričky
- Odporúčame používať vlhkú a jemnú handričku s použitím jemných saponátov.

Pozor: Po niekoľkých umytiach v umývačke riadu sa farba hliníkového filtra (mriežky) môže zmeniť. Taká zmena farby neznamena, že filter nefunguje správne, a že sa musí vymeniť.

## Protitukový filter

Hliníkový protitukový filter je potrebné čistiť každý mesiac počas normálnej prevádzky odsávača, v umývačke riadu alebo ručne s použitím jemného čistiaceho prostriedku alebo tekutého mydla.

Demontáž hliníkového protitukového filtra je znázornená na obrázku č. 5.

Pri niektorých modeloch je použitý akrylový filter. Musí byť vymenený aspoň raz za 2 mesiace, alebo častejšie v prípade veľmi intenzívneho používania.

## Uhlíkový filter

Uhlíkový filter sa používajú iba vtedy, ak odsávač pár nie je pripojený na ventilačný komín. Uhlíkový filter je schopný absorbovať pachy až určitú absorpčnú hladinu – nasýtenie. Uhlíkové filtre sa nesmú umývať, nie sú vhodné na regeneráciu a musia sa vymieňať, a to aspoň raz na 2 mesiace alebo častejšie, ak sa odsávač pár využíva intenzívne.

Demontáž uhlíkového filtra je znázornená na obrázku 6.

## Osvetlenie

Je potrebné používať žiarovky / halogény / diódové moduly s rovnakými parametrami ako sú nainštalované výrobcom v zariadení. Výmena osvetlenia je znázornená na obrázku č. 7. Ak obrázok nie je v tejto príručke uvedený, modul osvetlenia môže vymeniť iba autorizovaný servis.

# ZÁRUKA, POPREDAJNÝ SERVIS

## Záruka

Záruka sa poskytuje podľa podmienok uvedených v záručnom liste. Výrobca neodpovedá za akékoľvek škody spôsobené nesprávnym zaobchádzaním a používaním výrobku.



**Výrobca zariadenia odporúča, aby všetky opravy a nastavenia výrobku vždy vykonával továrenský servis alebo autorizovaný servis výrobcu. Zariadenie môže opravovať iba certifikovaný technik, ktorý má potrebné kvalifikácie**

## Vyhlásenie výrobcu

Výrobca týmto vyhlasuje, že výrobok spĺňa dôležité požiadavky nasledujúcich európskych smerníc:

- smernica pre nízke napätie 2014/35/EC
- smernica elektromagnetickej kompatibility 2014/30/EC
- smernica ErP - 2009/125/EC
- smernica RoHS 2011/65/EC

a preto výrobok získal označenie  a bolo preň vydané Vyhlásenie o zhode, a toto vyhlásenie bolo sprístupnené orgánom obchodnej inšpekcie.

# Estimado Cliente

A partir de hoy tus deberes serán más fáciles que nunca. El aparato **Amica** de la marca Amica es excepcionalmente fácil de usar y perfectamente eficaz. Después de leer el manual, el uso no será ningún problema.

El equipo, antes de abandonar la fábrica y ser empaquetado, fue minuciosamente comprobado que funciona seguramente en los puestos de control de calidad.

Les rogamos lean con atención este manual de la primera puesta en marcha de este aparato. Seguir las instrucciones incluidas en el presente manual les protegerá del uso inadecuado. Guardar este manual para tenerlo siempre accesible.

**Seguir estrictamente las instrucciones de uso para evitar siniestros.**

Atentamente

**Amica**

# INDICACIONES RELACIONADAS CON SEGURIDAD

- ¡Lea detenidamente este manual antes de usar el aparato!
- El aparato está destinado solamente para usar en casa.
- El fabricante se reserva el derecho a realizar cambios que no influyan en la forma de funcionamiento del aparato.
- El fabricante no se responsabiliza de eventuales daños o incendios ocasionados por el equipo que resulten de la falta de observancia de recomendaciones del presente manual.
- La campana de cocina sirve para evacuar los vahos de cocina. No se debe usarla para otros objetivos.
- La campana que funciona en modo de extractor debe estar conectada a respectivo canal de ventilación (no conectar a canales de chimenea, de humo o de gases de escape que se encuentren en uso). La campana requiere instalación de conducto de evacuación de aire hacia fuera. El largo de conducto (muchas veces es tubo de  $\varnothing$  120 mm ó 150 mm) no debe ser más largo que 4-5 m. El conducto de evacuación de aire también es requerido en las campanas telescópicas y de muebles en modo de absorbedor.
- La campana que funciona en modo de absorbedor requiere instalación de filtro con carbón activo. En este caso no se requiere instalación de conducto de evacuación de aire hacia fuera, pero se recomienda el montaje de volante de soplado de aire (solamente campanas de chimenea).

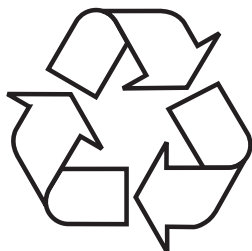
- La campana tiene iluminación independiente y ventilador de extracción dotado de posibilidad de fijar una de las velocidades de giro.
- En función de la versión de equipo la campana está destinada para fijar de manera permanente en una pared vertical por encima de la cocina de gas o eléctrica (campanas de chimenea y universales); en el techo por encima de la cocina de gas y eléctrica (campanas de isla); en la pared de los muebles que se encuentran por encima de la cocina de gas o eléctrica (campanas telescópicas y para empotrar). Antes del montaje se debe asegurar que la estructura de la pared / techo es adecuada para soportar la campana. Algunos modelos de campanas pesan mucho.
- La altura de montaje de aparato por encima de la placa eléctrica se encuentra en la tarjeta de producto (especificación técnica de aparato). Si en el manual de instalación de aparatos a gas se da una distancia mayor, se debe tenerlo en cuenta (Fig 1).
- Por debajo de la campana de cocina no se puede dejar fuego abierto a la hora de quitar los vasos del quemador, se debe dejar fuego mínimo. Siempre se debe comprobar que la llama no sale fuera del vaso ya que esto hace pérdida indeseada de energía y concentración peligrosa de calor.
- Los platos preparados en grasa debe estar vigilados permanentemente ya que la grasa puede encenderse.
- Antes de cada operación de limpieza, cambio de filtro o antes de empezar la reparación se debe sacar el enchufe de aparato de contacto.
- El filtro de grasa para la campana se debe limpiar al menos una vez al mes, ya que si saturado de grasa es peligroso.

- Si en el cuarto, además de la campana, se usan otros aparatos de alimentación no eléctrica (por ejemplo, hornos a combustibles líquidos, calentadores de flujo, escalfadores), se debe cuidar de ventilación suficiente (admisión de aire). Una explotación segura es posible con el trabajo simultáneo de campana y aparatos quemadores, dependientes del aire que existe en el cuarto, en el lugar donde se encuentran estos aparatos existe hipertensión por encima de 0,004 milibar (este punto no se debe tener en cuenta cuando la campana es usada como absorbedor de olores).
- La campana no debe servir como superficie de soporte para las personas que se encuentran en la cocina.
- La campana debe limpiarse muy frecuentemente tanto fuera como pro dentro (AL MENOS UNA VEZ AL MES, manteniendo las indicaciones relativas al mantenimiento del presente manual). En caso de no seguir los principios relativos a la limpieza de la campana y cambio de filtros puede surgir amenaza de incendio.
- Cuando el cable de alimentación esté dañado, deberá ser reemplazado en un taller especializado de reparación.
- Hay que garantizar la posibilidad de desconectar el aparato de la red eléctrica, por medio de la desconexión del interruptor bipolar.
- El presente aparato no debe ser usado por personas (incluyendo niños) con capacidad física, sensual y psíquica limitada y por las personas que no tengan experiencia o conocimientos del empleo del aparato con tal de que se encuentren bajo vigilancia o sigan las instrucciones de uso del aparato por la persona responsable de su seguridad.
- Hay que fijarse en que los niños sin tutela no usen ni jueguen con el aparato.

- Comprobar que el voltaje de la tabla nominal equivale a los parámetros locales de alimentación.
- Antes montar desarrollar y enderezar el cable eléctrico.
- Los materiales de embalaje (saquitos de polietileno, trozos de poliuretano, etc.) deben ser guardados lejos del alcance de niños a la hora de desembalar.
- Antes de conectar la campana a la red eléctrica siempre se debe controlar que el cable eléctrico fue instalado correctamente y NO fue aplastado por la campana durante el montaje. No conectar el aparato a la red eléctrica antes de terminar el montaje.
- Está prohibido usar la campana sin montar los filtros de grasa de aluminio.
- Está absolutamente prohibido preparar platos a fuego abierto (flambeado).
- En cuanto a los medios de seguridad y técnicos relativos a la evacuación de gases de combustión se debe seguir absolutamente las leyes emitidas por las autoridades locales.
- No enroscar tornillos o elementos de fijación de conformidad con el presente manual puede amenazar la salud y la vida.
- Las campanas colgantes funcionan solamente en el modo de absorbedor de olores



## DESEMBALAJE

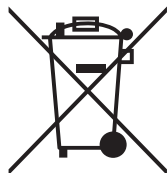


El aparato ha sido asegurado contra daños antes del transporte. Después de desembalar el dispositivo les rogamos eliminen los elementos del embalaje de forma que no sea nociva para el medio ambiente.

Todos los materiales empleados para embalar no son nocivos para el medio ambiente, en un 100% sirven para ser reciclados y llevan símbolos respectivos.

¡Advertencia! Los materiales de embalaje (saquitos de polietileno, trozos de poliuretano, etc.) deben ser guardados lejos del alcance de niños a la hora de desembalar.

## ELIMINACIÓN DE APARATOS USADOS



Este aparato está marcado con el símbolo de contenedor para desechos tachado, según la Directiva Europea 2012/19/CE y la ley polaca sobre aparatos eléctricos y electrónicos gastados. Dicho símbolo informa que este aparato, pasado el periodo de su uso, no debe ser eliminado junto con los

demás desechos procedentes de hogares.

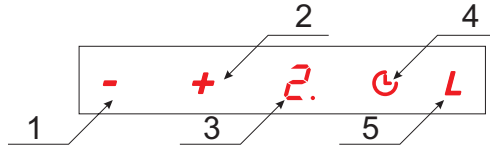
El usuario está obligado a devolverlo a un lugar destinado para recoger el equipo eléctrico y electrónico gastado. Las entidades que realizan la recogida, incluyendo los puntos locales de recogida, tiendas, y entidades municipales, crean un sistema adecuado que permite la devolución de estos aparatos.

El adecuado uso del equipo eléctrico y electrónico gastado ayuda a evitar las consecuencias que son nocivas para humanos y para el medio ambiente procedentes de la presencia de componentes peligrosos e inadecuado almacenamiento y procesamiento de estos dispositivos.

# USO

## Control de campana

El panel de control de la campana está presentado en el dibujo 4, para recordar también lo ponemos a continuación:



### Panel de control

Está dotado de panel de sensores. Para activar la función seleccionada, tocar uno de los siguientes campos:

- 1- Reduce la velocidad de motor un nivel
- 2- Aumenta la velocidad de motor un nivel
- 3- Pantalla que indica la velocidad seleccionada. La campana está dotada de 3 o 4 marchas (en función del modelo).
- 4- Función de retraso de la campana (Temporizador)
- 5- Activación o desactivación de iluminación. La iluminación funciona independientemente del motor de campana.

Marchas posibles para fijar:

- Marcha inferior (1). Usar esta marcha con pocos vahos.
- Marchas intermedias (2 y 3\*). Usar esta marcha con media cantidad de vahos, por ejemplo, a la hora de cocinar muchos platos al mismo tiempo.
- Marcha superior (4\*). Usar esta marcha con mayor cantidad de vahos, por ejemplo, a la hora de freír o asar a la parrilla.

\*En función del modelo

## Temporizador (retraso de la desactivación del motor de la campana)

Esta función sirve para desactivación con demora del motor de la campana. Usar esta función después de terminar de cocinar, para limpiar el aire de vahos que se encuentren en la cocina. El tiempo máximo de retraso son 90 minutos. Para activar esta función, durante el trabajo de la campana en cualquier marcha toque el sensor . En la pantalla empezará a parpadear el dígito . Luego, con los sensores y seleccione el tiempo de retraso de desactivación entre 1 y 9 (cada nivel añade 10 minutos, por ejemplo, al seleccionar el dígito 2, la demora será 20 minutos, al seleccionar el dígito 5, la demora serán 50 minutos, etc.). Vuelva a tocar el sensor para activar la función. Si fijamos bien el tiempo de demora de desactivación se lo señalará con el parpadeo del punto en el dígito en la pantalla. Para desactivar la función de demora antes, tocar el sensor . Luego, con el sensor reduzca el tiempo de retraso a cero. Confirme la cancelación de retraso de desactivación de la campana con el sensor . La función de retraso de desactivación de la campana no hace la desactivación de iluminación.

## Sensor de olor

La función activa analiza el nivel de contaminación de aire por medio del sensor de olor. Cuando aparezca la contaminación de nivel determinado, la campana se activará automáticamente en la marcha ajustada a la intensidad de contaminación.

- La reducción de nivel de contaminación hará la reducción de velocidad del motor un nivel abajo hasta la desactivación completa de la campana.
- La falta de reducción del nivel de contaminación de aire hará el tiempo prolongado de trabajo de la campana en una marcha determinada.
- La reducción del nivel de contaminación hará el aumento de velocidad del motor de la campana.

Con una grande contaminación de aire, la campana funcionará como máximo en la 4. marcha, será reducido sistemáticamente (cada 1 minuto) un nivel abajo hasta la desactivación completa.

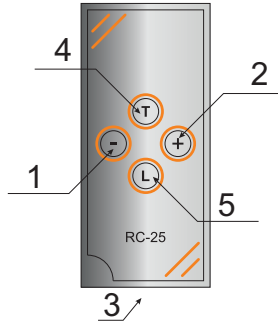
Activación de función y calibración de sensor: Cuando en la habitación existen las condiciones normales y ningún plato se encuentra en la proximidad directa del equipo, conecte la campana a la alimentación. Unos 5 minutos más tarde apriete y mantenga el sensor **—** durante unos 2 segundos. En la pantalla aparecerá el símbolo **A** y el punto cerca del símbolo parpadeará 1 o 2 minutos (el tiempo depende de las condiciones que existen en la habitación y puede prolongarse). El parpadeo del punto avisa sobre el proceso de calibración de sensor. Cuando el punto deje de parpadear (desaparezca), significa que el sensor fue calibrado correctamente y desde el momento la campana funciona en el modo automático.

Para desactivar la función, apriete y mantenga **—** durante unos 2 segundos.

Advertencia: Cada vez la activación de trabajo automático será precedida por la calibración. Cuando la campana esté desconectada de la alimentación (por ejemplo, tendrá lugar el apagón), la activación de la función también será precedida por la calibración.

## Mando a distancia

La campana está dotada de mando a distancia, está presentada en la figura 4a para recordar se encuentra también abajo:



Se puede controlar la campana se puede usar el mando a distancia. Para ello dirija la frente del mando hacia la campana y seleccione la función adecuada:

- 1- Reduce la marcha un nivel abajo
- 2- Aumenta la marcha un nivel arriba
- 4- La función de retraso de la desactivación de la campana (Timer)- la descripción de la función se encuentra en la página anterior
- 5- Desactive o active la iluminación. La iluminación funciona independientemente de la marcha fijada.

El mando a distancia por defecto no lleva batería. Se debe comprarla en respectivos centros comerciales- Batería CR2025 3V (una unidad). Para reemplazar la batería saque la bandeja (posición 3 en la figura) que se encuentra en la parte inferior del mando. Sitúe en ella la batería teniendo en cuenta en la respectiva señalización de polos. Introduzca la bandeja de nuevo.

**¡Advertencia!** Entre el mando y el sensor no puede haber ningún obstáculo. Las luces de la lámpara fluorescente puede perturbar la comunicación entre el mando y la campana.

## **Otra información importante relativa al uso de la campana**

**Trabajo como absorbedor:** En esta opción el aire filtrado vuelve al cuarto por medio de los agujeros preparados para ello. En esta configuración se debe montar el filtro de carbón y se recomienda montar el volante de soplado de aire (disponible en función del modelo, existe sobre todo en campanas de chimenea).

**Trabajo como extractor:** Durante el modo de trabajo de extractor de la campana, el aire es evacuado hacia fuera con un conducto especial. Con esta configuración se debe eliminar el eventual filtro de carbón. La campana está conectada al agujero que evacúa el aire hacia fuera por medio de un conducto rígido o elástico de diámetro de 150 mm ó 120 mm y bornes adecuados para conductos que se deben comprar en lugares con materiales de instalación. La conexión debe ser realizada por un instalador calificado.

**Velocidad de ventilador:** La velocidad inferior y media se usa en condiciones normales y con pocos vahos, mientras que la velocidad superior se debe usar solamente con concentración alta de vahos de cocina, por ejemplo, a la hora de freír o preparar con parilla.

**Atención (se refiere solamente a campanas universales):** La estructura de campanas universales requiere cambio manual de modo de trabajo de la campana. La forma de cambio de este modo está presentada en la figura 8.

**Atención (se refiere solamente a las campanas de muebles y telescópicas):** Las campanas de muebles y telescópicas que trabajan en el modo de absorbedor requieren montaje de tubo que evacúa el aire. El segundo extremo del tubo debe ir dirigido al cuarto, por este tubo se evacuará el aire filtrado.

**Advertencia:** Las campanas colgantes funcionan solamente en el modo de absorbedor.

# LIMPIEZA Y CONSERVACIÓN

## Mantenimiento

El mantenimiento y limpieza regulares garantizarán un trabajo bueno y sin avería de la campana y alargarán su vida útil. Se debe prestarse mucha atención que el filtro de grasa y el filtro con carbón activo estén limpios y se reemplacen de conformidad con las recomendaciones de fabricante.

- No usar trapos mojados ni esponjas ni chorro de agua.
- No usar disolventes ni alcohol ya que pueden hacer mates las superficies barnizadas.
- No usar sustancias cáusticas, sobre todo para limpiar superficies hechas de acero inoxidable.
- No usar trapo duro, ásperos
- Se recomienda usar trapo húmedo y detergentes neutros.

Advertencia: Después de unos lavados en el lavavajías, el color de filtro de aluminio puede cambiar. El cambio de color no significa irregularidades y necesidad de su reemplazo.

## Filtro de grasa

El filtro de aluminio debe ser limpiado cada mes durante el trabajo normal de la campana, en el lavavajías o manualmente con uso de un detergente delicado o jabón líquido.

El desmontaje de filtro de grasa aluminio se encuentra en la figura 5.

En algunos modelos se usa filtro acrílico. Se debe reemplazarlo al menos cada dos meses o con más frecuencia en caso de uso intenso.

## Filtro de carbón

El filtro de carbón se usa solamente cuando la campana no está conectada al conducto de ventilación. El filtro con carbón activo tiene la capacidad de absorber olores hasta su saturación. No sirve para lavar ni para recuperación y debe ser reemplazado, al menos una vez cada dos meses o con más frecuencia en caso de uso excepcionalmente intenso. El desmontaje de filtro de carbón se encuentra en la figura 6.

## Iluminación

Se deben usar bombillas / halógenos / módulos de diodos de los mismos parámetros como los montados en el aparato en la fábrica. El cambio de iluminación se encuentra en la figura 7. Si la figura no aparece en el presente manual, el cambio de módulo de iluminación puede ser realizado solamente por servicio autorizado.

# GARANTÍA, ATENCIÓN DE POST VENTA

## Garantía

Las prestaciones de garantía según la tarjeta de garantía. El fabricante no se responsabilizará por cualquier daño que resulte del uso inadecuado del producto.



**El fabricante de equipo sugiere que todas las reparaciones y ajustes se realicen por el Servicio de Fábrica o Servicio Autorizado de fabricante. Las reparaciones deben ser realizadas solamente por la persona que tiene formación adecuada.**

## Declaración del fabricante

El fabricante declara con la presente que el producto cumple los requisitos esenciales de las siguientes directivas europeas:

- **directiva de baja tensión 2014/35/EC**
- **directiva de compatibilidad electromagnética 2014/30/EC**
- **directiva de diseño ecológico 2009/125/EC**
- **directiva RoHS 2011/65/EC**

y por lo tanto el producto fue marcado **CE** y tiene declaración de conformidad compartida a las entidades que supervisan el mercado.

# Prezado Cliente

A partir de hoje as tarefas cotidianas tornar-se-ão mais simples do que nunca. O aparelho **Amica** é uma combinação de extrema facilidade de utilização e excelente eficiência. Após uma análise do manual de instruções, a sua utilização não apresentará qualquer problema.

O equipamento, antes de abandonar a fábrica e ser embalado, foi controlado minuciosamente nos postos de controlo tendo em conta a sua segurança e funcionalidade.

Por favor, leia atentamente o manual de instruções antes de activar o aparelho. O cumprimento dos conselhos que nele se encontram protegê-lo-ão contra uma utilização incorrecta. O manual deve ser guardado e armazenado de forma a encontrar-se sempre à mão.

**Deve respeitar convenientemente as instruções do manual, para evitar acidentes infelizes.**

Atenciosamente

## **Amica**



# CONSELHOS DE SEGURANÇA

- O aparelho apenas deve ser iniciado após tomar conhecimento do manual!
- O aparelho destina-se a apenas à utilização doméstica.
- Ao fabricante reserva-se o direito de introduzir alterações, que não influenciem o funcionamento do aparelho.
- O fabricante não se responsabiliza de qualquer forma pelos eventuais danos ou incêndios provocados pelo aparelho e resultantes do incumprimentos das recomendações incluídas no presente manual.
- O exaustor de cozinha serve para remover os vapores de cozinha. Não utilizar para fins não conformes.
- Conectar o exaustor que opera em modo de extracção a uma conduta de exaustão apropriada (não conectar a chaminés, condutas de exaustão de fumo ou gás utilizadas). O exaustor requiere a instalação de um ventilador de ar para o exterior. O comprimento do ventilador (na maioria dos casos um tubo Ø 120 mm ou 150 mm) não deve exceder os 4-5 m. O ventilador de aspiração de ar também é obrigatório no caso de exaustores telescópicos e encastráveis em modo de recirculação.
- O exaustor em modo de recirculação requer a instalação de um filtro de carvão activo. Neste caso não é exigida a instalação de uma conduta de ar para o exterior, no entanto recomenda-se a

montagem do sistema de devolução de ar (apenas nos exaustores tipo chaminé).

- O exaustor inclui um sistema de iluminação independente e um ventilador de extracção com possibilidade de ajuste entre os vários níveis de velocidade de rotação.
- Dependendo da versão do aparelho, o exaustor destina-se à instalação permanente sobre uma parede vertical por cima do fogão a gás ou eléctrico (exaustores tipo chaminé e universais); sobre o tecto por cima do fogão a gás ou eléctrico (exaustores de ilha); sobre uma parede vertical no caso de encastramento por cima do fogão a gás ou eléctrico (exaustores telescópicos e encastráveis). Antes de proceder com a montagem, certifique-se que a construção da parede / tecto tem capacidade suficiente para manter o exaustor. Alguns modelos de exaustores são muito pesados.
- A altura de montagem do aparelho por cima de uma placa eléctrica encontra-se indicada na carta do produto (especificação técnica do aparelho). Se nas instruções de instalação dos aparelhos a gás for recomendada uma distância maior, deve respeitá-las (Ilustr. 1).
- Quando retirar os utensílios do queimador, não deixe uma chama aberta por baixo do exaustor de cozinha, ajuste uma chama mínima. Verifique sempre se o diâmetro da chama não ultrapassa os limites do utensílio, para evitar uma desnecessária perda de energia e uma concentração perigosa de calor.
- Os alimentos preparados com gordura devem ser permanentemente supervisionados, pois a gordura sobreaquecida pode ser facilmente incendiada.
- Antes de qualquer limpeza, substituição de filtro

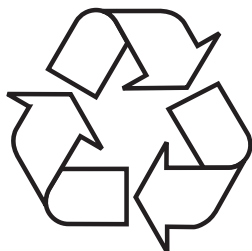
ou antes de proceder com reparos, retire a ficha do aparelho da tomada.

- Limpe o filtro de gordura do exaustor de cozinha pelo menos 1 vez por mês, pois se ficar embebido em gordura torna-se inflamável.
- Se no respectivo espaço interior, além do exaustor, também forem utilizados outros aparelhos não eléctricos (p.ex. fogões alimentados a combustível líquido, esquentadores, aquecedores de água), deve garantir uma ventilação adequada (conduta de ar). A utilização segura é possível, se no caso de funcionamento em simultâneo do exaustor e de aparelhos de combustão que dependem da presença de ar no espaço interior, no ambiente de instalação destes dispositivos houver uma depressão máxima de 0,004 mbar (o presente ponto não diz respeito se o exaustor de cozinha for utilizado em modo de recirculação).
- O exaustor não deve servir como superfície de apoio para as pessoas que se encontram na cozinha.
- A superfície do exaustor deve ser limpa com frequência tanto na sua parte exterior como interior (PELO MENOS UMA VEZ POR MÊS, de acordo com os conselhos de manutenção incluídos no presente manual). O incumprimento das regras de limpeza do exaustor e de substituição dos filtros pode resultar no risco de incêndio.
- Se o cabo de alimentação for danificado, deve ser trocado num ponto de reparo especializado.
- Assegurar a possibilidade de desconexão do aparelho da corrente eléctrica, removendo a ficha ou desligando o interruptor bipolar.
- O presente equipamento não deve ser usado por pessoas (incluindo crianças) com capacidades físicas, sensoriais ou mentais reduzidas ou por

peças sem experiência ou conhecimento do aparelho, excluindo situações em que estiverem sob supervisão ou procederem de acordo com a instrução de utilização do aparelho, transmitida pela pessoa responsável pela sua segurança.

- Tomar especial atenção, para que o aparelho não seja utilizado por crianças sem supervisão.
- Verificar se a tensão indicada na chapa de identificação corresponde aos parâmetros de alimentação locais.
- Desdobrar e endireitar o cabo de alimentação antes da montagem.
- Os componentes de embalagem (os saquinhos de polietileno, pedaços de esferovite, etc.) devem ser mantidos fora do alcance de crianças durante o desempacotamento.
- Antes de conectar o exaustor à electricidade verificar se o cabo de alimentação foi devidamente instalado e NÃO ficou preso por baixo do exaustor durante as tarefas de instalação. Não conectar o aparelho à electricidade antes de terminar a sua instalação.
- É proibida a utilização do exaustor sem montar os filtros de gordura em alumínio.
- É extremamente proibida a preparação de alimentos com chama aberta por baixo do exaustor (flambagem).
- Respeitar rigorosamente os regulamentos emitidos pelas competentes autoridades locais no âmbito de requisitos técnicos e de segurança relativos ao escape.
- Os parafusos mal apertados e os elementos fixos sem seguir os conselhos do presente manual podem resultar em riscos para a saúde e a vida.
- Os exaustores suspensos apenas funcionam em modo de recirculação

# DESEMPACOTAMENTO



O aparelho foi protegido durante o seu transporte contra uma danificação. Após desembalar o aparelho, por favor remova os elementos de embalagem de forma que não ameace o meio ambiente.

Todos os materiais utilizados para a produção da embalagem são inofensivos ao ambiente natural, são 100 % recicláveis e foram identificados com o respectivo símbolo.

Atenção! Os materiais de embalagem (os saquinhos de polietileno, pedaços de esferovite, etc.) devem ser mantidos fora do alcance de crianças durante o desempacotamento.

## ELIMINAÇÃO DE APARELHOS GASTOS



O presente aparelho está identificado com o símbolo de contentor de lixo barrado de acordo com a Directiva da União Europeia 2012/19/UE e a Lei polaca sobre a gestão de equipamento eléctrico e electrónico gasto. Esta identificação informa de que o equipamento em questão não pode ser colocado juntamente com

os restantes resíduos domésticos, após terminar a sua utilização.

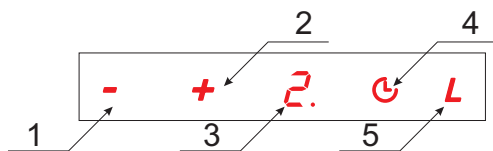
O utilizador é obrigado a entregá-lo num ponto de recolha de aparelhagem eléctrica e electrónica gasta. Os pontos de recolha, incluindo os pontos de recolha locais, as lojas e as unidades municipais, criam um sistema apropriado, que possibilita a entrega de tal equipamento.

O tratamento correcto dos resíduos de equipamento eléctrico e electrónico permite evitar consequências nocivas para a saúde de pessoas e para o meio ambiente, resultantes da presença de substâncias perigosas e da sua eliminação e tratamento incorrectos.

# UTILIZAÇÃO

## Controlo do exaustor

O painel de comando do exaustor foi apresentado na ilustração 4, a fim de memorizá-lo, também foi apresentado abaixo:



## Painel de comando

Inclui um painel de controlo por sensores. Para activar a função seleccionada, tocar numa das seguintes áreas:


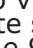

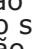
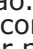
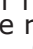

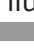
- 1- Reduz a velocidade do motor um nível
- 2- Aumenta a velocidade do motor um nível
- 3- Visor indicador da velocidade seleccionada. O exaustor dispõe de 3 ou 4 velocidades (consoante o modelo).
- 4- Função de desligamento atrasado do exaustor (Timer)
- 5- Ligamento e desligamento da iluminação. A iluminação funciona independentemente do motor do exaustor.

Velocidades disponíveis:

- Velocidade mais baixa (1). Usar esta velocidade com uma pequena quantidade de vapores.
- Velocidades médias (2 e 3\*). Usar esta velocidade com uma quantidade média de vapores, por exemplo quando simultaneamente forem preparados diferentes alimentos.
- Velocidade máxima (4\*). Usar esta velocidade com uma quantidade máxima de vapores, por exemplo durante a fritura ou grelha.

\*Consoante o modelo

## Timer (desligamento atrasado do motor do exaustor)


Esta função serve para o desligamento atrasado do motor do exaustor. Usar esta função após terminar a cozedura, para remover os vapores do ar no espaço interior. O tempo máximo de desligamento atrasado são 90 minutos. Para accionar esta função, premir o sensor  durante o funcionamento do exaustor sobre qualquer velocidade. No visor o dígito  começa a emitir uma luz intermitente. Seguidamente seleccionar o tempo de desligamento atrasado numa gama entre 1 e 9 com os sensores  e  (cada nível acrescenta 10 minutos, por exemplo ao seleccionar o dígito 2, o tempo de desligamento atrasado são 20 min., ao seleccionar o dígito 5, o tempo de desligamento atrasado são 50 min., etc.). Tocar de novo no sensor  para accionar a função. O ajuste correcto do tempo de desligamento do atraso é indicado com uma luz intermitente do ponto junto do dígito sobre o visor. Tocar no sensor  para desligar a função de atraso mais cedo Seguidamente reduzir o tempo de desligamento atrasado até ao zero com o sensor . Confirmar a anulação do desligamento atrasado do exaustor com o sensor . A função de desligamento atrasado do exaustor não desliga a iluminação.

## Sensor de odor

A função activa analisa o nível de impurezas no ar através de um sensor de odor. Quando no ar for detectado certo nível de impureza, o exaustor é accionado automaticamente com uma velocidade adequada à intensidade de impurezas presentes no ar.

- A diminuição do nível de impurezas reduz a velocidade do motor um nível até desligar o exaustor por completo.
- Se o nível de impurezas no ar não diminuir, o exaustor funciona durante mais tempo com a respectiva velocidade.
- O aumento do nível de impureza no ar aumenta a velocidade do motor do exaustor.

No caso de ar altamente impuro, o exaustor funciona no máximo com a velocidade 4 e reduz a velocidade gradualmente (cada 1 minuto) até desligar o exaustor por completo.

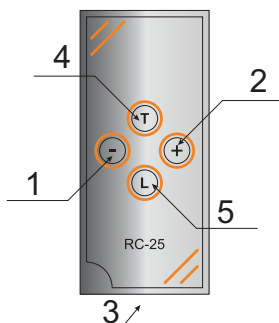
Ligamento da função e calibragem do sensor: Conectar o exaustor à alimentação em condições normais no espaço interior e sem presença de qualquer alimento na proximidade do aparelho. Após 5 minutos premir e manter premido durante aproximadamente 2 segundos o sensor —. O visor visualiza o símbolo , a ponta junto do símbolo emite uma luz intermitente durante aproximadamente 1 ou 2 minutos (o tempo depende das condições no espaço interior e pode aumentar). A luz intermitente do ponto informa sobre o processo de calibragem do sensor. Quando o ponto deixar de emitir uma luz intermitente (apagar), é sinal de que o sensor foi correctamente calibrado e o exaustor passa a funcionar em modo automático.

Para desligar a função, premir e manter premido —durante aproximadamente 2 segundos.

Atenção: Cada accionamento do funcionamento automático é precedido pela calibragem. Se o exaustor for desconectado da alimentação (por exemplo devido a uma interrupção curta de electricidade), o accionamento da função também é precedido pela calibragem.

## Comando remoto

O exaustor inclui um controlo remoto, este foi apresentado na ilustração 4a, a fim de memorizá-lo também foi apresentado abaixo:



O exaustor também pode ser controlado através de um comando remoto. Para controlá-lo, direccionar a frente do comando na direcção do exaustor e seleccionar a respectiva função:

- 1- Reduz a velocidade um nível
- 2- Aumenta a velocidade um nível
- 4- Função de desligamento atraso do exaustor (Timer)- a descrição da função encontra-se na página anterior
- 5- Ligar ou desligar a iluminação. A iluminação funciona independentemente da velocidade seleccionada.

A pilha do comando não está incluída. A pilha deve ser adquirida em postos de venda adequados - Pilha CR2025 3V (uma unidade). Para substituir a pilha, retraindo a base (posição 3 na ilustração) que se encontra na parte inferior do comando. Introduzir a pilha prestando atenção à polaridade correcta. Inserir de novo a base.

**Atenção!** Remover quaisquer obstáculos entre o comando e o sensor. A luz das lâmpadas pode interferir na comunicação entre o comando e o exaustor.



## **Outras informações importantes sobre a utilização do exaustor**

**Modo de recirculação:** Nesta opção o ar filtrado retorna ao espaço interior através dos respectivos orifícios. Nesta opção, deve ser instalado um filtro de carvão e é recomendada a instalação de um sistema de devolução de ar (a sua disponibilidade depende do modelo, disponível maioritariamente nos exaustores de chaminé).

**Modo de extracção:** Com o modo de extracção de ar, o exaustor envia o ar filtrado para o exterior através de um ventilador. Nesta opção deve remover o eventual filtro de carvão. O exaustor está conectado ao orifício de extracção de ar para o exterior através de um ventilador rígido ou flexível com diâmetro de 150 mm ou 120 mm e de braçadeiras apropriadas para ventiladores que devem ser adquiridas em pontos com materiais de instalação. A conexão deve ser feita por um instalador qualificado.

**Velocidades do ventilador:** A velocidade mais baixa e média são usadas em condições normais e com baixa concentração de vapores e a velocidade mais alta apenas deve ser usada no caso de uma grande concentração de vapores de cozinha, p.ex. durante a fritura ou grelha.

**Atenção (apenas diz respeito aos exaustores universais):** A estrutura dos exaustores universais requer uma modificação manual do modo de funcionamento do exaustor. A forma de modificação do respectivo modo foi apresentada na ilustração 8.

**Atenção (apenas diz respeito aos exaustores de encastre e telescópicos):** Os exaustores de encastre e telescópicos em modo de recirculação requerem a montagem de um tubo de extracção do ar. A outra ponta do tubo deve ser direccionada no sentido do espaço interior, é através dela que o ar filtrado será redireccionado.

**Atenção:** Os exaustores suspensos apenas funcionam em modo de recirculação.

# LIMPEZA E MANUTENÇÃO

## **Manutenção**

A manutenção e limpeza regulares do aparelho garantem um funcionamento fiável e a falta de falhas do exaustor bem como prolongam a sua longevidade. Deve prestar especial atenção aos filtros de gordura e de carvão pois estes devem ser limpos e substituídos de acordo com as recomendações do fabricante.

- Não usar panos ou esponjas embebidos em água nem um caudal de água.
- Não utilizar diluentes nem álcool, pois estes podem retirar o brilho às superfícies envernizadas.
- Não usar produtos abrasivos, particularmente quando forem limpas as superfícies em aço inoxidável.
- Não usar panos rígidos e ásperos
- Recomenda-se a utilização de um pano húmido e de detergentes neutros.

Atenção: Após alguns ciclos de lavagem na máquina a cor do filtro em alumínio pode alterar. A alteração da cor não é sinal de nenhum defeito nem requer a sua troca.

## **Filtro de gordura**

O filtro de gordura em alumínio deve ser limpo pelo menos uma vez por mês na máquina ou à mão com um detergente delicado ou sabão líquido no caso de um funcionamento normal do exaustor.

A desmontagem do filtro de gordura em alumínio foi apresentada na ilustração 5.

Nalguns modelos foi aplicado um filtro acrílico. Este deve ser substituído pelo menos cada 2 meses ou com maior frequência em caso de uma utilização particularmente intensa.

## **Filtro de carvão**

O filtro de carvão apenas é utilizado quando o exaustor não estiver ligado ao ventilador. O filtro de carvão activo tem a capacidade de absorver odores até ficar completamente embebido. Não deve ser lavado nem reutilizado e deve ser substituído pelo menos cada 2 meses ou com maior frequência em caso de uma utilização particularmente intensa.

A desmontagem do filtro de carvão foi apresentada na ilustração 6.

## **Iluminação**

Usar lâmpadas / halogéneos/ módulos de díodos com parâmetros iguais àqueles que foram pré-instalados no aparelho. A substituição de iluminação foi apresentada na ilustração 7. Se a ilustração não se encontrar incluída no presente manual, a substituição do módulo de iluminação apenas poderá ser efectuada por um serviço autorizado.

# GARANTIA, SERVIÇO PÓS-VENDA

## Garantia

Atestado de garantia conforme a carta de garantia. O fabricante não se responsabiliza por quaisquer danos provocados pela utilização incorrecta do produto.



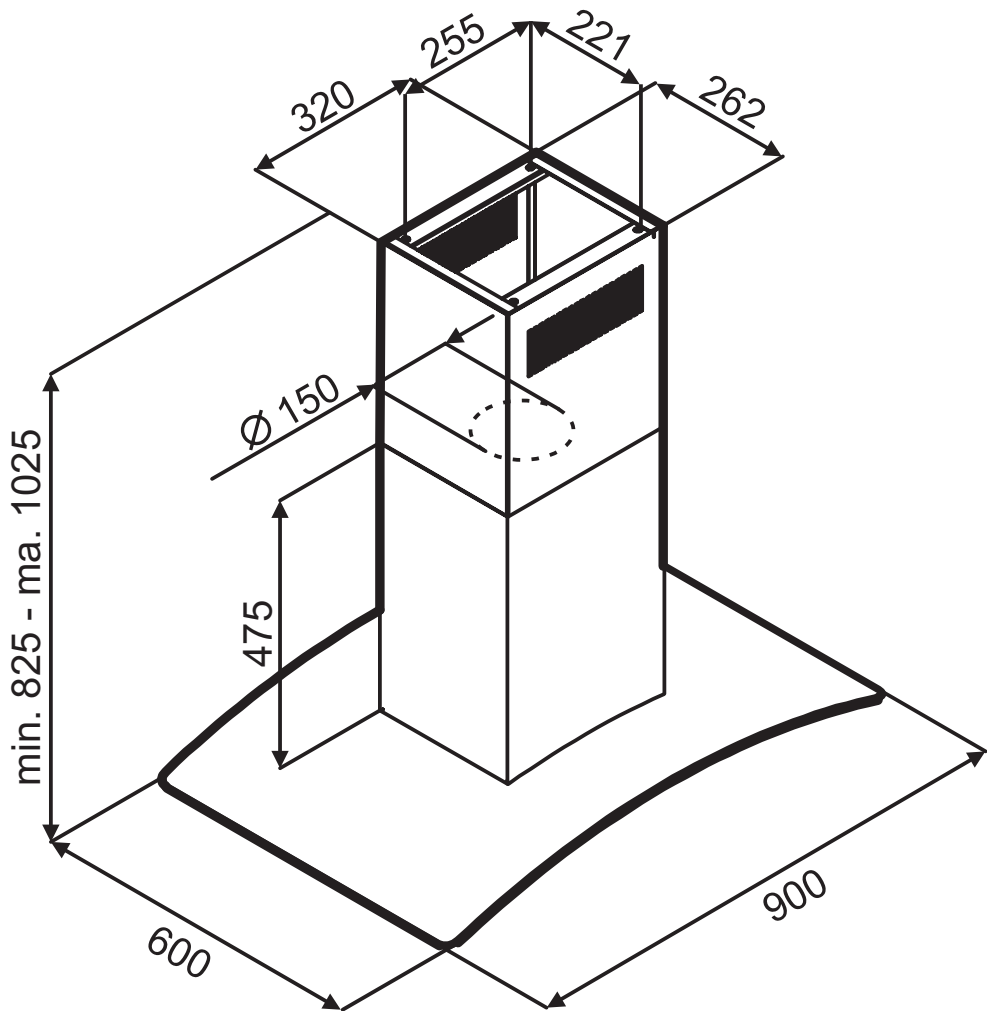
**O fabricante do produto recomenda que todos os reparos e as actividades regulatórias sejam efectuadas pelo Serviço do Fabricante ou pelo Serviço Autorizado pelo fabricante. Os reparos devem ser efectuados exclusivamente por pessoas com as respectivas qualificações.**

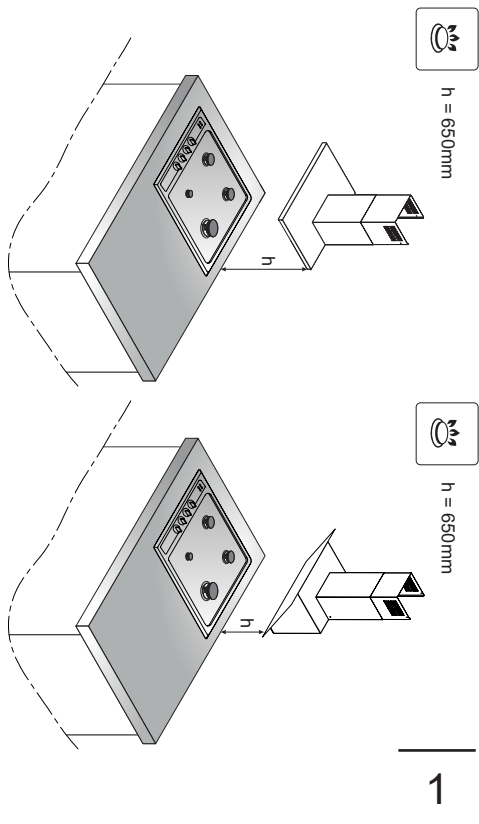
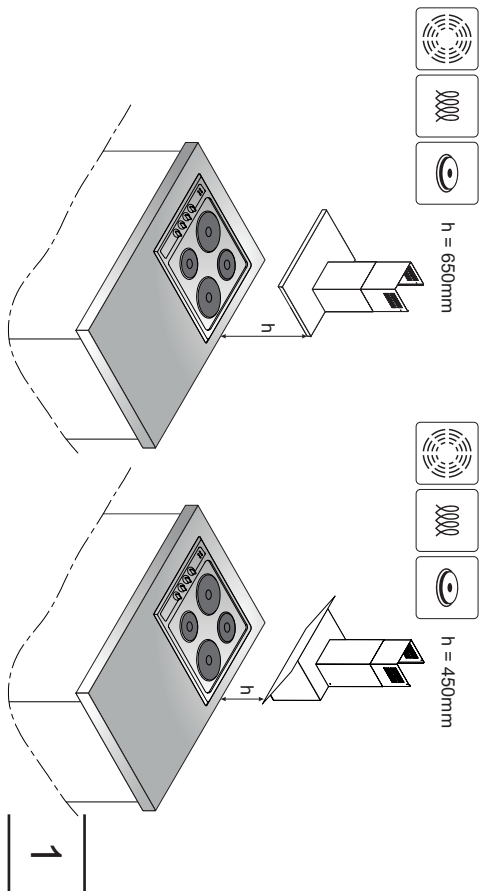
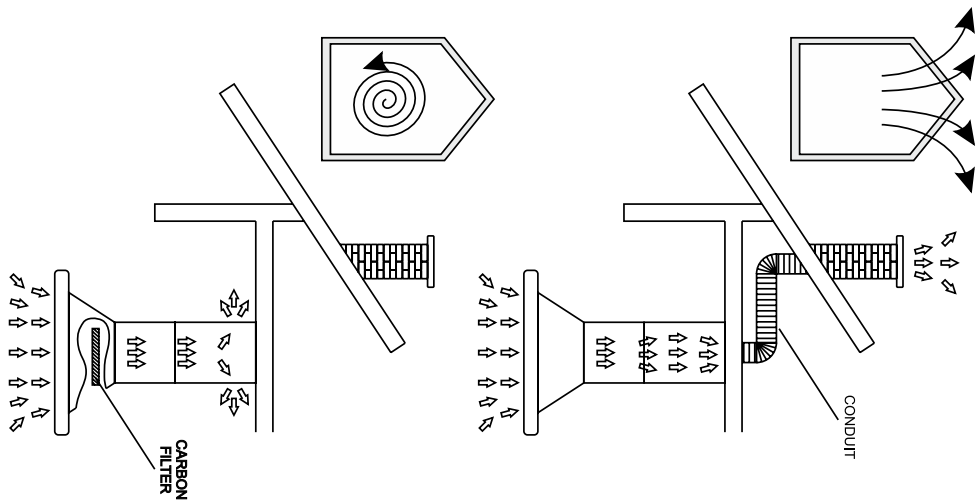
### Declaração do fabricante

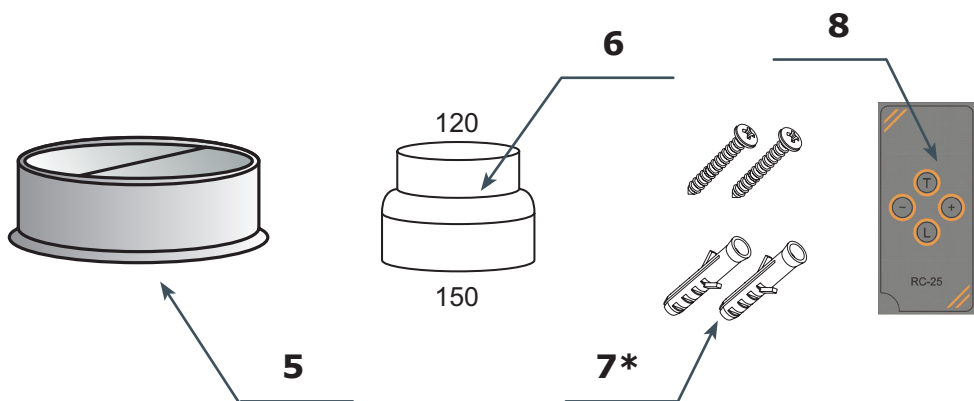
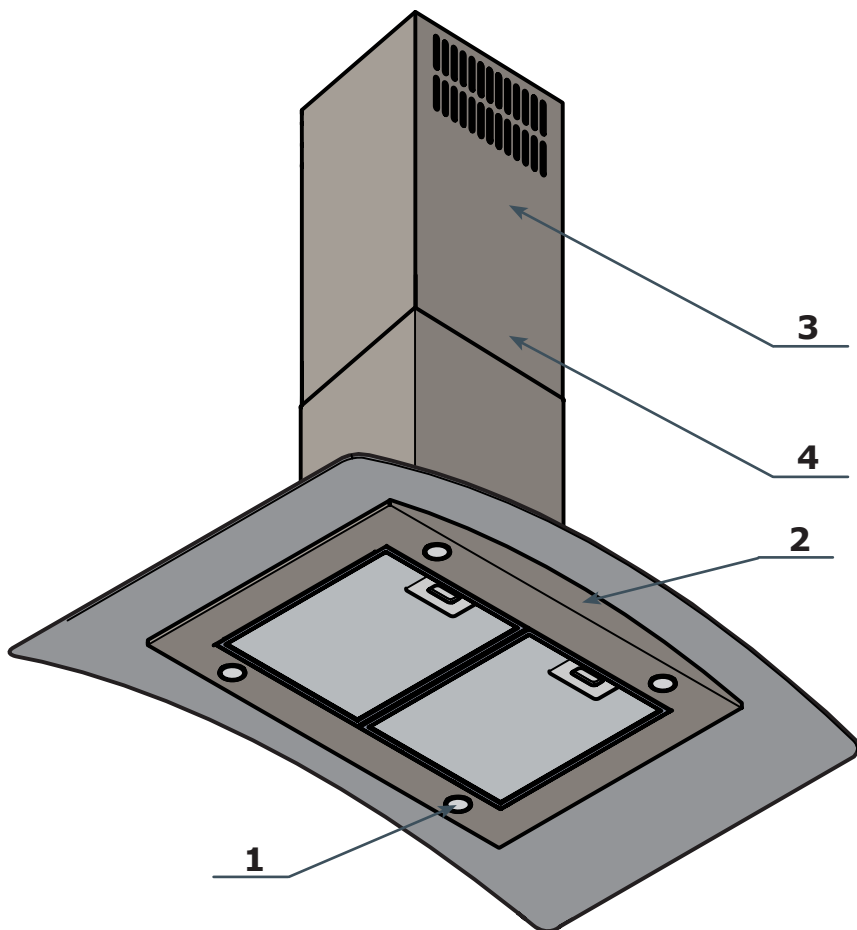
O fabricante declara pelo seguinte, de que o presente produto preenche os requisitos essenciais das seguintes directivas europeias:

- **directiva de baixa tensão 2014/35/EU**
- **directiva de compatibilidade electromagnética 2014/30/EU**
- **directiva ecodesign 2009/125/UE**
- **directiva RoHS 2011/65/UE**

e por isso o produto foi identificado **CE** bem como foi lhe emitida uma declaração de conformidade partilhada com os órgão de controlo do mercado.

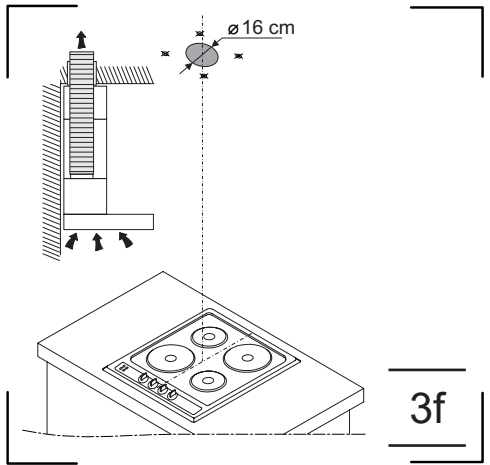
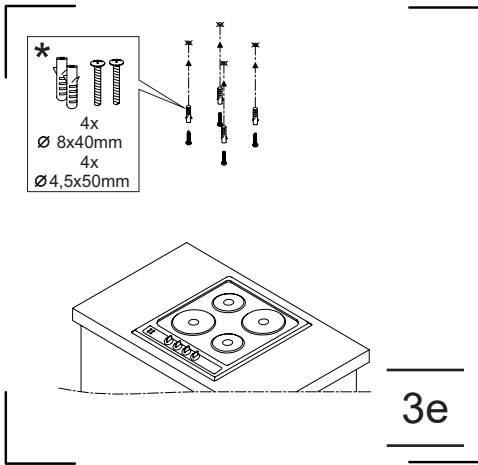
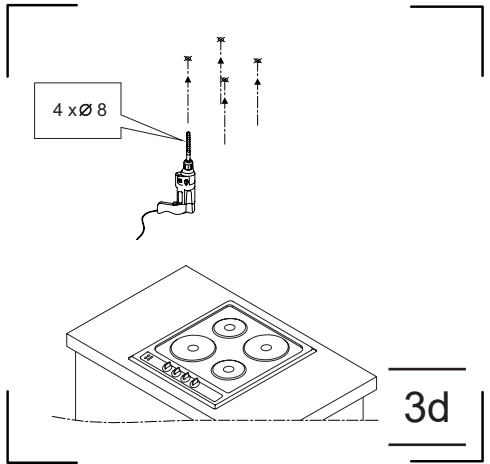
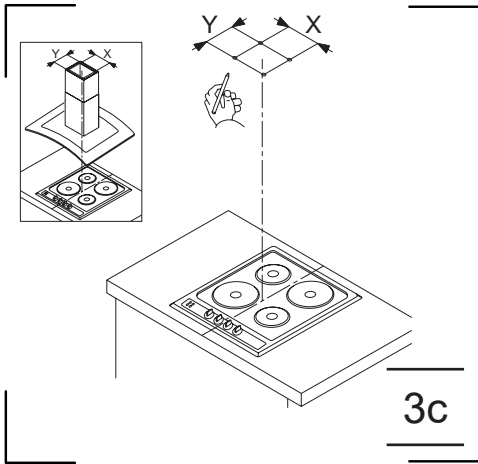
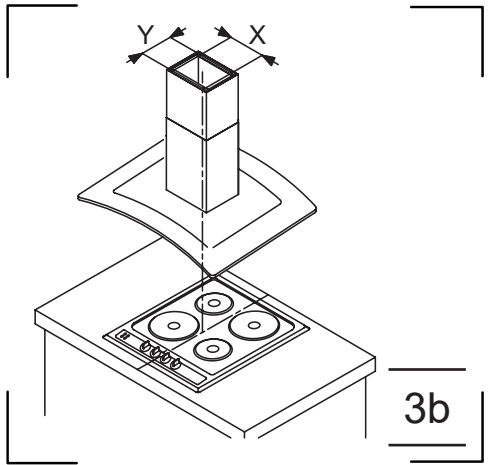
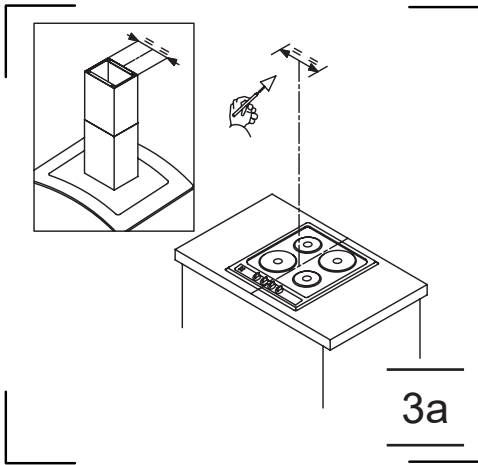




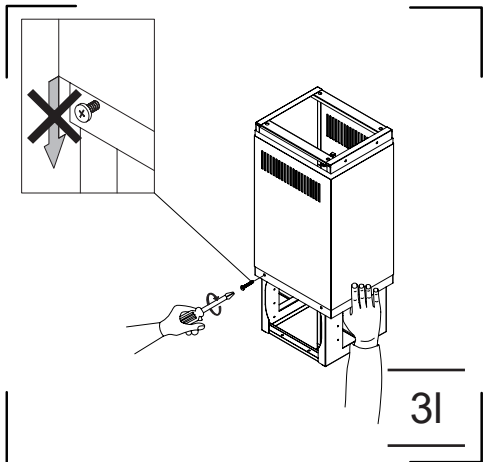
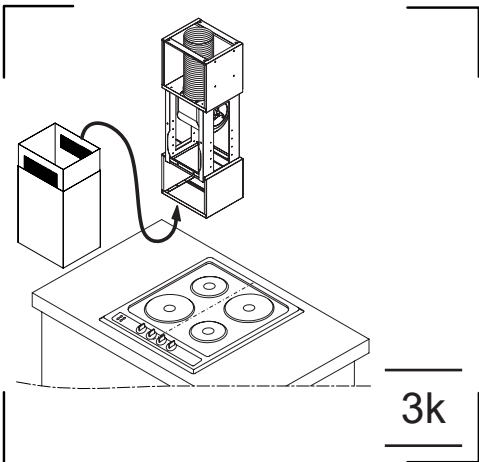
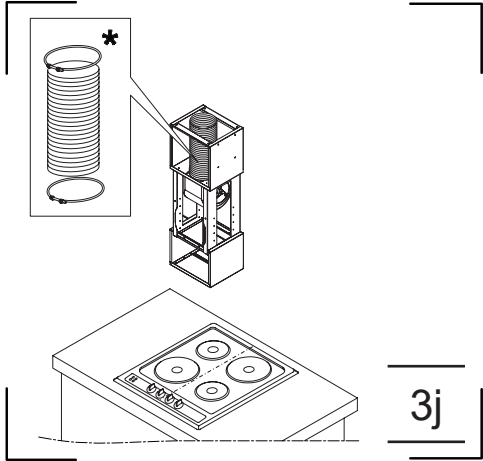
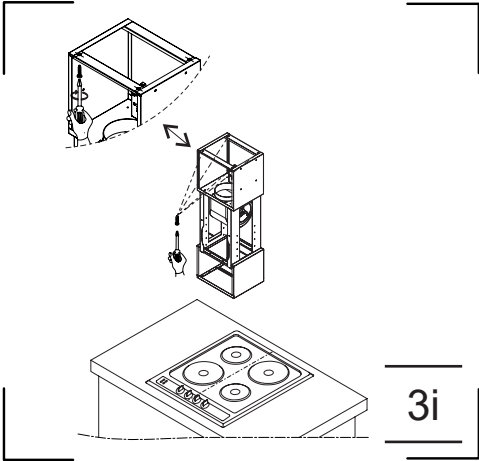
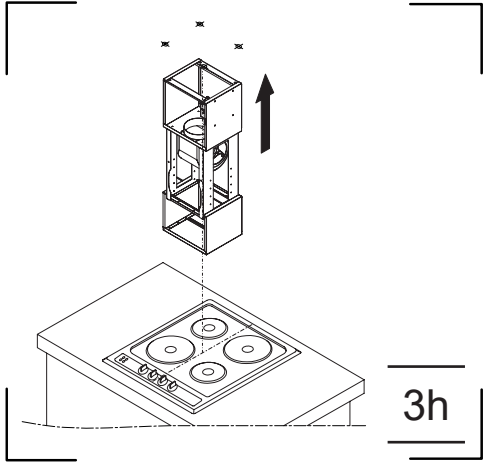
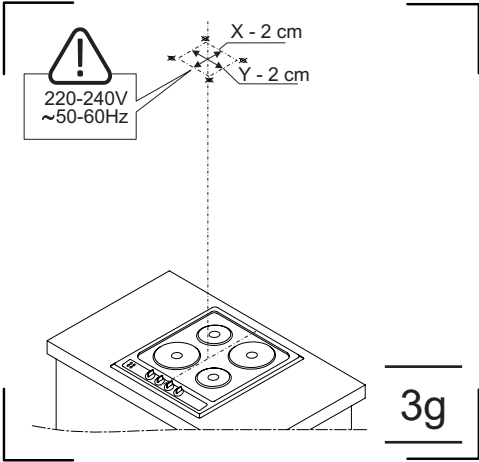


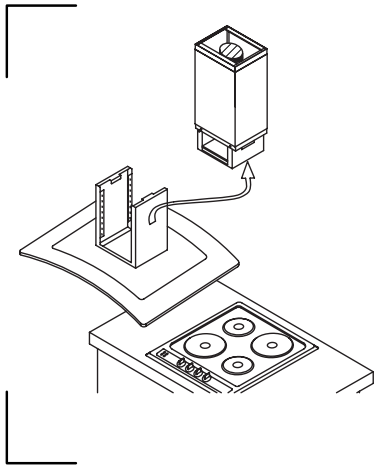
\* According to the model

	EN	PL	CS	SK	ES	PT
1	Lighting	Oświetlenie	Osvětlení	Osvetlenie	Iluminación	Iluminação
2	Control Panel	Panel sterowania	Ovládací panel	Ovládací panel	Panel de control	Painel de comando
3	Upper chimney cover	Maskownica górna	Horní krycí lišta	Horná krycia lišta	Panel superior	Chaminé superior
4	Lower chimney cover	Maskownica dolna	Spodní krycí lišta	Dolná krycia lišta	Panel inferior	Chaminé inferior
5	Air flaps	Klapki zwrotne	Zpětné klapky	Spätné klapky	Tapas de retorno	Válvula anti-retorno
6	Connecting piece	Króciec przyłączeniowy	Připojovací hrdlo	Prípojné hrdlo	Racor de conexión	Redutor de conexão
7	Screws and wall plugs	Wkręty i kołki rozporowe	Vruty a hmoždinky	Skrutky a rozperné kolíky	Tornillos y tacos	Parafusos e buchas de fixação
8	Remote	Pilot	dálkové ovládání	dialkové ovládanie	Control remoto	Controle remoto

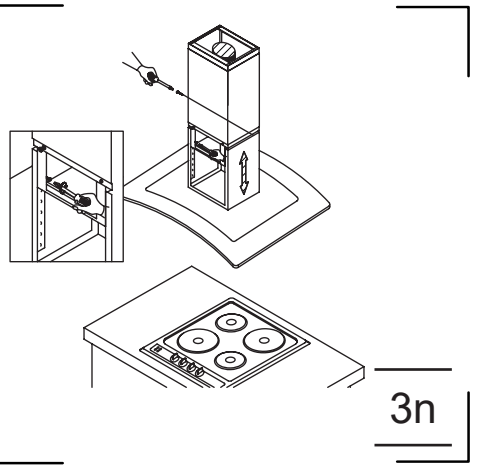




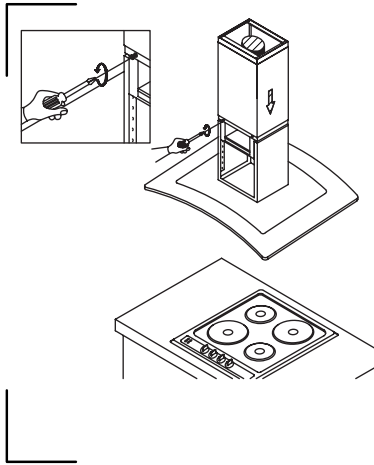




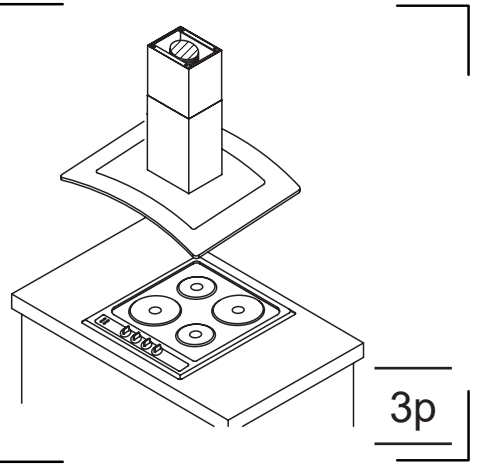
3m



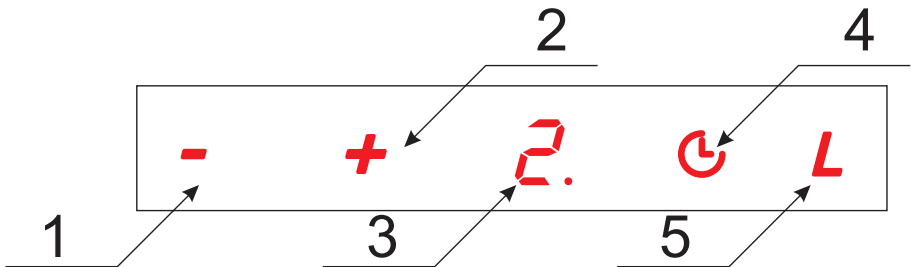
3n



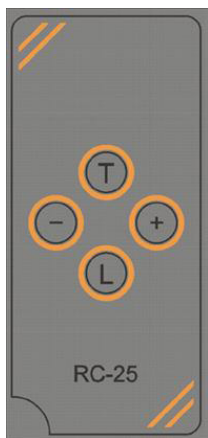
3o



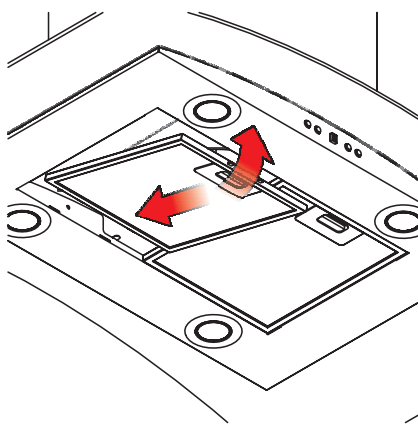
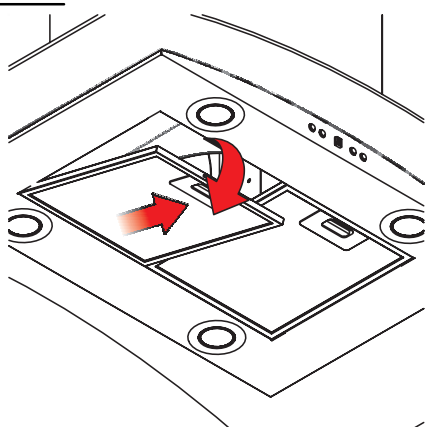
3p



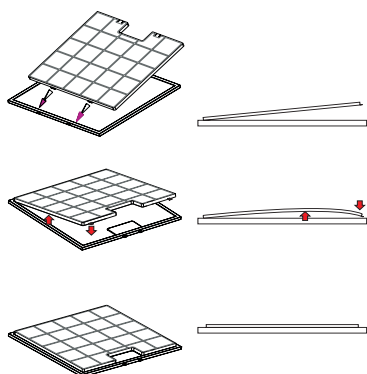
4



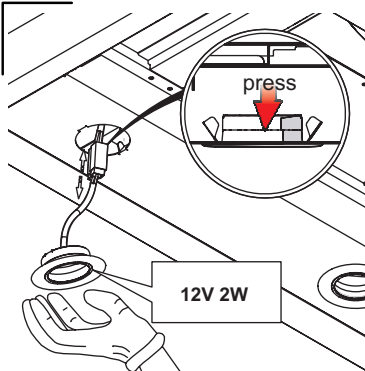
4a



5



6



7

**Amica S.A.**  
ul . Mickiewicza 52 / 64-510 Wronki  
tel. 67 25 46 100 / fax 67 25 40 320  
[www.amica.pl](http://www.amica.pl)

**Amica International GmbH**  
Lüdinghauser Str. 52  
D-59387 Ascheberg  
Tel: 0 25 93 - 95 67-0  
[www.amica-group.de](http://www.amica-group.de)