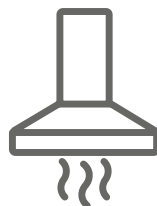


Amica

OPERATING INSTRUCTIONS
INSTRUKCJA OBSŁUGI
NÁVOD K OBSLUZE
NÁVOD NA OBSLUHU
HASZNÁLATI UTASÍTÁS

EN
PL
CS
SK
HU

**Kitchen extractor hood / okap nadkuchenny /
kuchyňského odsavače / kuchynského odsávača /
tűzhely feletti páraelszívó**



OWC4445BP



IO-HOO-0834/3
(01.2024)

EN- Table of contents

| | |
|--|-----------|
| NOTES ON SAFETY | 6 |
| UNPACKING | 9 |
| DISPOSAL OF OLD APPLIANCE | 9 |
| OPERATION | 10 |
| KITCHEN HOOD CONTROLS | 10 |
| CONTROL PANEL | 10 |
| OFF TIMER | 10 |
| REMOTE CONTROL | 11 |
| OTHER IMPORTANT INFORMATION CONCERNING THE OPERATION OF THE HOOD | 12 |
| CLEANING AND MAINTENANCE | 13 |
| MAINTENANCE | 13 |
| GREASE FILTER | 13 |
| ACTIVATED CHARCOAL FILTER | 13 |
| LIGHT | 13 |
| WARRANTY AND AFTER SALES SERVICE | 14 |
| WARRANTY | 14 |

PL- Spis treści

| | |
|---|-----------|
| WSKAZÓWKI DOTYCZĄCE BEZPIECZEŃSTWA | 16 |
| ROZPAKOWANIE | 20 |
| USUWANIE ZUŻYTYCH URZĄDZEŃ | 20 |
| OBSŁUGA | 21 |
| STEROWANIE OKAPEM | 21 |
| PANEL STEROWANIA | 21 |
| TIMER (OPÓŹNIONE WYŁĄCZENIE OKAPU) | 21 |
| INNE WAŻNE INFORMACJE DOTYCZĄCE OBSŁUGI OKAPU | 23 |
| CZYSZCZENIE I KONSERWACJA | 24 |
| KONSERWACJA | 24 |
| FILTR PRZECIWTŁUSZCZOWY | 24 |
| FILTR WĘGLOWY | 24 |
| OŚWIETLENIE | 24 |
| GWARANCJA, OBSŁUGA POSPRZEDAŻOWA | 25 |
| GWARANCJA | 25 |

CS- Obsah

| | |
|--|-----------|
| BEZPEČNOSTNÍ POKYNY | 27 |
| VYBALENÍ | 30 |
| LÍKVIDACE OPOTŘEBOVANÝCH ZAŘÍZENÍ | 30 |
| OBSLUHA | 31 |
| OVLÁDÁNÍ ODSAVAČE | 31 |
| OVLÁDACÍ PANEL | 31 |
| ČASOVAČ (OPOŹDĚNÉ VYPNUTÍ MOTORU ODSAVAČE) | 31 |
| DÁLKOVÝ OVLADAČ | 32 |
| JINÉ DŮLEŽITÉ INFORMACE O OBSLUZE ODSAVAČE | 33 |
| ČIŠTĚNÍ A ÚDRŽBA | 34 |
| ÚDRŽBA | 34 |
| PROTITUKOVÝ FILTR | 34 |
| UHLÍKOVÝ FILTR | 34 |
| OSVĚTLENÍ | 34 |
| ZÁRUKA, POPRODEJNÍ SERVIS | 35 |
| ZÁRUKA | 35 |

SK- Obsah

| | |
|---|-----------|
| BEZPEČNOSTNÉ POKYNY POUŽÍVANIA | 37 |
| ROZBALENIE | 41 |
| LIKVIDÁCIA ZARIADENÍ | 41 |
| OBSLUHA | 42 |
| OVLÁDANIE ODSÁVAČA | 42 |
| OVLÁDAČÍ PANEL | 42 |
| ČASOVAČ (ONESKORENÉ VYPNUTIE MOTORA ODSÁVAČA) | 42 |
| DIAĽKOVÝ OVLÁDAČ | 43 |
| INÉ DÔLEŽITÉ INFORMÁCIE TÝKAJÚCE SA POUŽÍVANIA ODSÁVAČA | 44 |
| ČISTENIE A ÚDRŽBA | 45 |
| KONZERVÁCIA | 45 |
| PROTITUKOVÝ FILTER | 45 |
| UHLÍKOVÝ FILTER | 45 |
| OSVETLENIE | 45 |
| ZÁRUKA, POPREDAJNÝ SERVIS | 46 |
| ZÁRUKA | 46 |

HU - Tartalomjegyzék

| | |
|--|-----------|
| BIZTONSÁGI UTASÍTÁSOK | 48 |
| KICSOMAGOLÁS | 52 |
| A HASZNÁLT KÉSZÜLÉKEK ELTÁVOLÍTÁSA | 52 |
| HASZNALAT | 53 |
| PÁRAELSZÍVÓ VEZÉRLÉSE | 53 |
| IRÁNYÍTÓPANEL | 53 |
| TIMER (A PÁRAELSZÍVÓ MOTORJÁNAK KÉSLELTETETT KIKAPCSOLÁSA) | 53 |
| A PÁRAELSZÍVÓ MŰKÖDÉSÉVEL KAPCSOLATOS EGYÉB FONTOS INFORMÁCIÓK | 55 |
| TISZTÍTÁS ÉS KARBANTARTÁS | 56 |
| KARBANTARTÁS | 56 |
| ZSÍRSZŰRŐ | 56 |
| SZÉNSZŰRŐ | 56 |
| VILÁGÍTÁS | 56 |
| GARANCIA ÉS VÁSÁRLÁS UTÁNI SZERVIZ | 57 |
| GARANCIA | 57 |

Dear customer,

From now on, your daily housework will be easier than ever before. Your appliance **Amica** is exceptionally easy to use and extremely efficient. After reading these Operating Instructions, operating the appliance will be easy.

Before being packaged and leaving the manufacturer, the appliance was thoroughly checked with regard to safety and functionality.

Before using the appliance, please carefully read these Operating Instructions. By following these instructions carefully you will be able to avoid any problems in using the appliance. It is important to keep these Operating Instructions and store them in a safe place so that they can be consulted at any time.

Follow these instructions carefully in order to avoid possible accidents.

Sincerely,

Amica

NOTES ON SAFETY

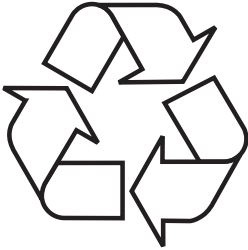
- Before using the appliance, please carefully read this manual!
- The appliance is designed for household use only.
- The manufacturer reserves the right to introduce changes, which do not affect operation of the appliance.
- The manufacturer shall not be liable for any damage or fire caused by the appliance resulting from failure to follow instructions in this manual.
- Cooker hood is designed to remove cooking odours. Do not use cooker hood for other purposes.
- Connect the cooker hood operating in extraction mode to a suitable ventilation duct (do NOT connect the cooker to smoke or flue gas ducts, which are in use). It requires installation of the air extraction duct to the outside. The length of the duct (usually a pipe of Ø 120 or 150 mm) should not be longer than 4-5 m. An air extraction duct is also required for telescopic and furniture hoods in absorption mode.
- Cooker hood operating in air recirculation mode requires the installation of an activated charcoal filter. In this case, installing an extractor duct is not required, however it is recommended to install an air guide vane (Mainly in chimney cooker hoods).
- The cooker hood features independent lighting and exhaust fan that can be operated at one of several speeds.
- Depending on the type, the hood is designed to be permanently attached to a vertical wall over a gas or electric stove (chimney and universal hoods); on the ceiling over a gas or electric stove (island hoods); on the vertical built in furniture over a gas or electric stove (telescopic and built-in hoods). Before installing, make sure that the wall/ceiling structure is strong enough to suspend the hood. Some hoods are very heavy.

- For details of the installation distance above an electric hob please refer to product technical sheet. If the installation instructions of the gas cooker specify a greater distance, this must be taken into account (Fig. 1).
- Do not leave an open flame under the hood. When the pots are removed from the burner, set the minimum flame. Always make sure that the flame does not extend outside the pot, because it causes unwanted loss of energy and a dangerous concentration of heat.
- When cooking on fat, supervise the pans constantly, because overheated fat can ignite.
- Unplug the appliance before any cleaning, replacing the filter or repair work.
- Cooker hood grease filter should be cleaned at least once a month, because the filter saturated with fat is flammable.
- Ensure adequate ventilation (air flow) if other equipment such as liquid fuel stoves or heaters are operated in the room in addition to the cooker hood. When the cooker hood is simultaneously operated with burning appliances requiring adequate fresh air from the room to work properly, their safe operation is possible if under pressure around these appliances is a maximum of 0.004 mbar (this does not apply when the cooker hood is used as an odour filter)
- Do not lean on the hood.
- The hood should be cleaned regularly both inside and out (AT LEAST ONCE A MONTH, following the indications concerning maintenance provided in this manual)..Failure to adhere to the rules concerning cleaning the hood and replacing filters results in a fire risk.
- If the power cord is damaged it should be replaced by a specialised service centre.
- Ensure that it is possible to disconnect the appliance from the mains by removing the plug or switching off the bi-polar switch.
- This appliance is not intended for use by persons (including children) with physical, mental or sensory handicaps, or by persons inexperienced or

unfamiliar with the appliance, unless under supervision or in accordance with the instructions as communicated to them by persons responsible for their safety.

- Particular attention should be paid not to allow unaccompanied children to use the appliance.
- Make sure voltage indicated on the nameplate corresponds to the local mains supply voltage.
- Before use, extend and straighten the power cord.
- Packaging materials (bags, polyethylene, polystyrene, etc.) should be kept away from children during unpacking.
- Before connecting the hood to the mains power supply always check that the power cord is properly installed and is not trapped by the appliance. Do not connect the appliance to the mains until assembly is complete.
- Do not operate your kitchen hood without the aluminium grease filters.
- It is strictly forbidden to cook dishes under on an open flame (flambé) under your kitchen hood.
- Always strictly adhere to regulations issued by the competent local authorities regarding the technical and safety requirements for fume extraction.
- Failing to tighten bolts and fasteners in accordance with these instructions may endanger life and health.
- Hanging kitchen hoods operate only in air circulation / odour absorber mode
- **WARNING!** Failure to install the screws or fixing device in accordance with these instructions may result in electrical hazards.
- This appliance can be used by children aged 8 years and older or by persons with physical, mental or sensory handicaps, or by those who are inexperienced or unfamiliar with the appliance, provided they are supervised or have been instructed how to safely use the appliance and are familiar with risks associated with the use of the appliance. Ensure that children do not play with the appliance. Cleaning and maintenance of the appliance should not be performed by children unless they are 8 years or older and are supervised by a competent person.

UNPACKING



During transportation, protective packaging was used to protect the appliance against any damage. After unpacking, please dispose of all elements of packaging in a way that will not cause damage to the environment.

All materials used for packaging the appliance are environmentally friendly; they are 100% recyclable and are marked with the appropriate symbol.

Important! Packaging materials (bags, polyethylene, polystyrene, etc.) should be kept away from children during unpacking.

DISPOSAL OF OLD APPLIANCE



In accordance with European Directive 2012/19/EU and local legislation regarding used electrical and electronic goods, this appliance is marked with the symbol of the crossed-out waste container. This marking indicates that the appliance must not be disposed of together with other household waste

after it has been used.

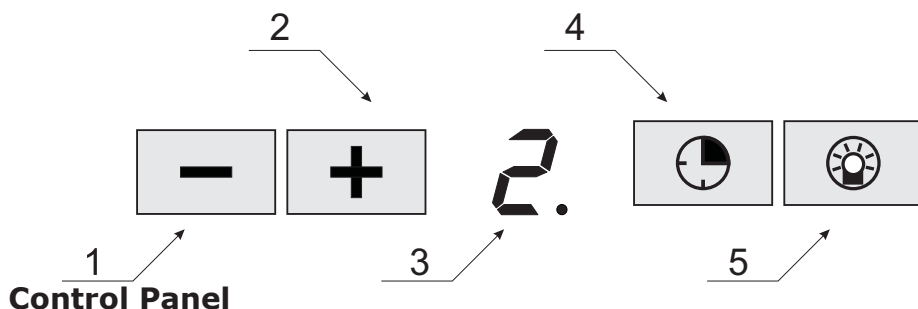
The user is obliged to hand it over to waste collection centre collecting used electrical and electronic goods. The collectors, including local collection points, shops and local authority departments provide recycling schemes.

Proper handling of used electrical and electronic goods helps avoid environmental and health hazards resulting from the presence of dangerous components and the inappropriate storage and processing of such goods.

OPERATION

Kitchen hood controls

Control Panel is shown in Figure 4, for reference it is also shown below:



Touch one the sensors to enable the desired function:





- 1 Reduce fan speed If the fan is running, touch this sensor to turn it off.
- 2 Increase fan speed If the hood is in standby mode, touch this sensor to turn on the fan.
- 3 Fan speed display (the display is not a control). The fan can run at 4 speeds.*
- 4 Off timer
- 5 Lighting on/off The lighting operates independently of hood fan.

Available fan speeds:*

- Low speed (1). Use this speed when cooking a little food with hardly any fumes.
- Medium speeds (2 and 3*). Use this speed when cooking multiple dishes at the same time with moderate amount of fumes.
- High speed (4*). Use this speed when frying or grilling, with large amount of fumes.

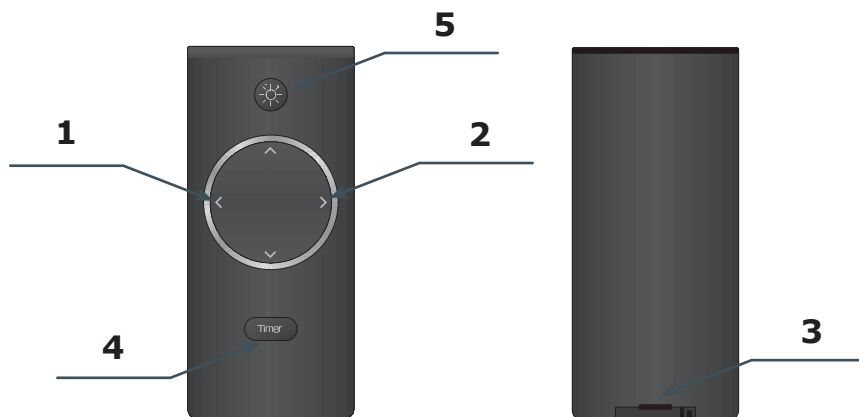
*Some models feature speeds 1-3.

Off Timer

Use off timer to turn off the hood after a specified time. Use off timer to filter the fumes out of the air after cooking. Maximum delay time is 90 minutes. Press  to cancel the off timer at any time. The number  will flash on the display. Then use **+** and **-** to select the delay in the range 1-9 (multiply the number by ten to obtain delay in minutes, 1 - 10 minutes, 2 - 20 minutes ... 5 - 50 minutes). Press  again to activate the function. The off timer is set a dot will flash on by the digit on the display. Press  to cancel the off timer. The hood fan will run at the selected speed. Cancelling the off-timer does not turn off the lighting.

Remote control

Your kitchen hood is equipped with a remote control. It is shown in Figure 4a and below:



Use remote control to control your kitchen hood. To do this, point the remote control toward the front of the hood and select the appropriate function:

- 1 — Reduce fan speed
- 2 — Increase fan speed
- 3 — Battery tray
- 4 — Off-timer, for description refer to the previous page.
- 5 — Turn lighting on/off The lighting operates independently of hood fan.

When purchased, battery is not included with the remote control. You can purchase a single CR2032 3V battery in any electronics store. To replace the battery, slide out the tray (item 3 in the figure) on the bottom edge of the remote control. Place the battery in the tray observing polarity. Slide the tray back in.

Important! Ensure there are no obstacles between the remote control transmitter and the sensor on the cooker hood. Fluorescent light can interfere with the remote control operation.

Other important information concerning the operation of the hood

Operation in air circulation / odour filter mode. In this mode, the filtered air returns to the room through the outlets. Install activated charcoal filter in this setting. It is recommended to install the air guide (available depending on the model, mainly in chimney cooker hoods).

Air extraction operation: When cooker hood operates in extraction mode, air is discharged outside through an extraction duct. Remove activated charcoal filter in this setting. The cooker hood is connected to the air outlet opening using a rigid or flexible extraction duct with a diameter of 150 or 120 mm, and the appropriate clamps, which must be purchased at a hardware store. The appliance should be installed by a qualified installer.

Fan speed: Lowest and medium fan speed is used in normal conditions and less intense odours, while the highest speed is used only when cooking odours are very intense, such as during frying or grilling.

Note (applies to universal hoods only): Due to the design of universal hoods you need to manually change the mode of operation. See Figure 8 for instructions on how to change the mode.

Note (only applies to telescopic and in-built kitchen hoods): Furniture and telescopic cooker hoods operating in air recirculation mode require installation of the exhaust duct. The other end of the duct should be directed to the room as it will discharge filtered air.

Note: Hanging kitchen hoods operate only in air circulation / odour absorber mode

CLEANING AND MAINTENANCE

Maintenance

Regular maintenance and cleaning of the appliance will ensure trouble-free operation of the cooker hood and extend its life. Especially make sure that the grease filter and activated charcoal filter are replaced according to manufacturer's recommendations.

- Do not use a soaked cloth, sponge, or water jet.
- Do not use solvents or alcohol, as they may tarnish lacquered surfaces.
- Do not use caustic substances, especially for cleaning stainless steel.
- Do not use a rough or abrasive cloth.
- It is recommend to use a damp cloth and a neutral detergent.

Note: After several washes in the dishwasher, the colour of the aluminium filter may change. The change of colour does not indicate improprieties or the necessity to change it.

Grease filter

For normal hood operation, grease filter should be cleaned every month in the dishwasher or by hand using a mild detergent or liquid soap.

Dismantling of grease filter is shown on Figure 5.

Acrylic filter is used in some models. This filter should be replaced at least once every 2 months or more frequently if the appliance is used intensively.

Activated charcoal filter

Charcoal filter is used only when the cooker hood is not connected to the ventilation duct. Activated charcoal filter can absorb odours until saturated. Charcoal filter is not suitable for washing or regeneration and should be replaced at least once every 3-4 months or more frequently if the appliance is used intensively.

Dismantling of charcoal filter is shown on Figure 6.

Light

Use incandescent / halogen / LED modules of the same specification as those factory-installed in the appliance. See Figure 7 for details how to replace lights. If there is no such figure in this manual, please contact authorised service to replace the lighting module.

WARRANTY AND AFTER SALES SERVICE

Warranty

The manufacturer shall not be held liable for any damage caused by improper use of the product.

Service

- The manufacturer recommends that all repairs and adjustments be carried out by the Factory Service Technician or the Manufacturer's Authorized Service Point. For safety reasons, repairs should be referred to professionals.
- Repairs carried out by unqualified persons may seriously endanger the appliance user.
- The minimum warranty period for the appliance offered by the manufacturer, importer or authorized representative is given in the warranty card.
- The warranty shall be void if you make any independent adaptations or alterations, tamper with seals or other appliance safety devices or its parts or interfere with the appliance contrary to operating instructions.

In the event of appliance malfunction, request assistance or repair.

If your appliance needs repair, please contact the service centre. Please see website for address and contact details of our service centre. Before contacting us, please have ready the appliance serial number, which can be found on the identification sticker: For your convenience, please write it down below:

| | | | | | | | | | | | | | | | | |
|--|--|--|--|--|--|--|--|--|--|--|--|--|--|--|--|--|
| | | | | | | | | | | | | | | | | |
|--|--|--|--|--|--|--|--|--|--|--|--|--|--|--|--|--|

Certificate of compliance CE and UKCA

The Manufacturer hereby declares that this product complies with the general requirements pursuant to the following European Directives and analogous UK requirements:

- The Low Voltage Directive 2014/35/EC / Electrical Equipment (Safety) Regulations 2016.
- Electromagnetic Compatibility Directive 2014/30/EC / Electromagnetic Compatibility Regulations 2016.
- ErP Directive 2009/125/EC / The Ecodesign for Energy-related Products Regulations 2010 (as amended) for the applicable implementing measures which apply in Great Britain and Northern Ireland, respectively.

and therefore the product has been marked with **CE** and **UKCA** symbols and the Declaration of Conformity, the Manufacturer has drawn up the declaration and is available to the competent authorities regulating the market.

Szanowny Kliencie

Od dziś codzienne obowiązki staną się prostsze niż kiedykolwiek. Urządzenie **Amica** to połączenie wyjątkowej łatwości obsługi i doskonałej efektywności. Po przeczytaniu instrukcji, obsługa nie będzie problemem.

Sprzęt, który opuścił fabrykę był dokładnie sprawdzony przed zapakowaniem pod względem bezpieczeństwa i funkcjonalności na stanowiskach kontrolnych.

Prosimy Państwa o uważną lekturę instrukcji obsługi przed uruchomieniem urządzenia. Przestrzeganie zawartych w niej wskazówek uchroni Państwa przed niewłaściwym użytkowaniem. Instrukcję należy zachować i przechowywać tak, aby mieć ją zawsze pod ręką.

Należy dokładnie przestrzegać instrukcji obsługi w celu uniknięcia nieszczęśliwych wypadków.

Z poważaniem

Amica

WSKAZÓWKI DOTYCZĄCE BEZPIECZEŃSTWA

- Okap należy używać dopiero po przeczytaniu tej instrukcji
- Urządzenie przeznaczone jest wyłącznie do użytku domowego.
- Producent zastrzega sobie możliwość dokonywania zmian niewpływających na działanie urządzenia.
- Producent nie ponosi żadnej odpowiedzialności za ewentualne szkody lub pożary spowodowane przez urządzenie wynikające z nieprzestrzegania zaleceń podanych w niniejszej instrukcji.
- Okap nadkuchenny służy do usuwania oparów kuchennych. Nie należy go używać do innych celów.
- Okap pracujący w trybie wyciągu należy podłączyć do odpowiedniego kanału wentylacyjnego (nie podłączać do kanałów kominowych, dymowych lub spalinowych, będących w eksploatacji). Okap wymaga zainstalowania przewodu odprowadzającego powietrze na zewnątrz. Długość przewodu (najczęściej rura \varnothing 120 mm lub 150 mm) nie powinna być dłuższa niż 4-5 m. Przewód odprowadzający powietrze jest również wymagany przy okapach teleskopowych i meblowych w trybie pochłaniacza.
- Okap pracujący w trybie pochłaniacza wymaga zainstalowania filtra z węglem aktywnym. W tym przypadku nie wymaga się instalowania przewodu odprowadzającego powietrze na zewnątrz, zaleca się natomiast montaż kierownicy wydmuchu powietrza (występuje głównie w okapach kominowych).
- Okap posiada niezależne oświetlenie oraz wentylator wyciągowy z możliwością ustawienia jednej z kilku prędkości obrotowych.
- W zależności od wersji urządzenia, okap jest przeznaczony do trwałego zamocowania na pionowej

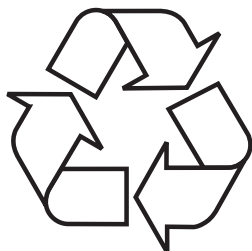
ścianie ponad kuchenką gazową lub elektryczną (okapy kominowe i uniwersalne); na suficie ponad kuchenką gazową lub elektryczną (okapy wyspowe); na pionowej ścianie w zabudowie meblowej ponad kuchenką gazową lub elektryczną (okapy teleskopowe i do zabudowy). Przed montażem należy się upewnić czy konstrukcja ściany / sufitu jest odpowiednia do utrzymania okapu. Niektóre modele okapów są bardzo ciężkie.

- Wysokość montażu urządzenia nad płytą elektryczną podana jest w karcie produktu (specyfikacji technicznej urządzenia). Jeżeli w instrukcjach instalowania urządzeń gazowych podano większą odległość, należy to uwzględnić (Rys. 1);
- Pod okapem kuchennym nie wolno pozostawiać odkrytego płomienia, podczas zdejmowania naczyń znad palnika, należy ustawić minimalny płomień. Zawsze należy sprawdzać czy płomień nie wykracza poza naczynie, gdyż powoduje to niepożądane straty energii i niebezpieczną koncentrację ciepła.
- Potrawy przygotowywane na tłuszczach powinny być stale nadzorowane, gdyż przegrzany tłuszcz może się łatwo zapalić.
- Przed każdą operacją czyszczenia, wymianą filtra lub przed podjęciem prac naprawczych, należy wyjąć wtyczkę urządzenia z gniazdka.
- Filtr przeciw tłuszczowy do okapu kuchennego należy czyścić, co najmniej, raz na 1 miesiąc, gdyż nasycony tłuszczem jest łatwopalny.
- Jeżeli w pomieszczeniu, oprócz okapu, eksploatuje się inne urządzenia o zasilaniu nieelektrycznym (np. piece na paliwa ciekłe, grzejniki przepływowe, termy), należy zadbać o wystarczającą wentylację (dopływ powietrza). Bezpieczna eksploatacja jest możliwa, gdy przy jednoczesnej pracy okapu i urządzeń spalających, zależnych od powietrza w pomieszczeniu, w miejscu ustawienia tych urządzeń panuje podciśnienie najwyżej 0,004 milibara (ten punkt nie obowiązuje, gdy okap nadkuchenny jest użytkowany jako pochłaniacz zapachów).

- Okap nie powinien służyć jako płaszczyzna podparcia dla osób znajdujących się w kuchni.
- Okap powinien być często czyszczony zarówno na zewnątrz jak i od wewnątrz (PRZYNAJMNIEJ RAZ W MIESIĄCU, z zachowaniem wskazówek dotyczących konserwacji podanych w niniejszej instrukcji). Nieprzestrzeganie zasad dotyczących czyszczenia okapu oraz wymiany filtrów powoduje powstanie zagrożenia pożarem.
- Jeżeli przewód zasilający ulegnie uszkodzeniu, to powinien być wymieniony w specjalistycznym zakładzie naprawczym.
- Należy zapewnić możliwość odłączenia urządzenia od sieci elektrycznej, poprzez wyjęcie wtyczki lub wyłączenie wyłącznika dwubiegunowego.
- Niniejszy sprzęt nie jest przeznaczony do użytkowania przez osoby (w tym dzieci) o ograniczonej zdolności fizycznej, czuciowej lub psychicznej, lub osoby o braku doświadczenia lub znajomości sprzętu, chyba że odbywa się to pod nadzorem lub zgodnie z instrukcją użytkowania sprzętu, przekazaną przez osoby odpowiadające za ich bezpieczeństwo.
- Należy zwrócić szczególną uwagę, aby z urządzenia nie korzystały pozostawione bez opieki dzieci.
- Sprawdzić, czy napięcie podane na tabliczce znamionowej odpowiada miejscowym parametrom zasilania.
- Przed montażem rozwinąć i wyprostować przewód sieciowy.
- Materiały opakowaniowe (woreczki polietylenowe, kawałki styropianu itp.) należy w trakcie rozpakowywania trzymać z dala od dzieci.
- Przed podłączeniem okapu do zasilania sieciowego należy zawsze skontrolować czy kabel zasilania został prawidłowo zainstalowany i NIE został przygnieciony przez okap w trakcie czynności montażowych. Nie podłączać urządzenia do sieci elektrycznej przed ukończeniem montażu.
- Zabrania się użytkować okap bez zamontowanych aluminiowych filtrów przeciwłuszczowych.

- Surowo zabrania się przygotowywania pod okapem potraw z użyciem otwartego ognia (flambrowanie).
- W zakresie koniecznych do zastosowania środków technicznych i bezpieczeństwa dotyczących odprowadzania spalin należy ściśle przestrzegać przepisów wydanych przez kompetentne władze lokalne.
- Niedokręcenie śrub oraz elementów mocujących zgodnie z niniejszymi instrukcjami może spowodować zagrożenia zdrowia i życia.
- Okapy wiszące działają tylko w trybie pochłaniania zapachów
- UWAGA! Instalacja śrub i elementów mocujących niezgodnie z instrukcją może spowodować zagrożenia elektryczne.
- Montaż okapu wykonany w sposób niezgodny z rysunkami i zaleceniami niniejszej instrukcji będzie miał wpływ na jakość pracy urządzenia, może być również podstawą do nieuznania reklamacji.
- To urządzenie może być używane przez dzieci w wieku 8 lat i starsze, przez osoby o ograniczonej zdolności fizycznej, czuciowej lub psychicznej oraz osoby o braku doświadczenia lub znajomości sprzętu, gdy są one nadzorowane lub zostały poinstruowane na temat korzystania z urządzenia w sposób bezpieczny i znają zagrożenia związane z użytkowaniem urządzenia. Dzieci nie powinny bawić się urządzeniem. Czyszczenie i konserwacja urządzenia nie powinna być wykonywana przez dzieci chyba że ukończyły 8 lat i są nadzorowane przez odpowiednią osobę.

ROZPAKOWANIE



Urządzenie na czas transportu zostało zabezpieczone przed uszkodzeniem. Po rozpakowaniu urządzenia prosimy Państwa o usunięcie elementów opakowania w sposób niezagrażający środowisku.

Wszystkie materiały zastosowane do opakowania są nieszkodliwe dla środowiska naturalnego, w 100% nadają się do odzysku i oznakowano je odpowiednim symbolem.

Uwaga! Materiały opakowaniowe (woreczki polietylenowe, kawałki styropianu itp.) należy w trakcie rozpakowywania trzymać z dala od dzieci.

USUWANIE ZUŻYTYCH URZĄDZEŃ



To urządzenie jest oznaczone zgodnie z Dyrektywą Europejską 2012/19/UE oraz polską Ustawą o zużyтым sprzęcie elektrycznym i elektronicznym symbolem przekreślonego kontenera na odpady. Takie oznakowanie informuje, że sprzęt ten, po okresie jego użytkowania, nie może być umieszczany łącznie z innymi odpadami pochodzącymi z gospodarstwa domowego.

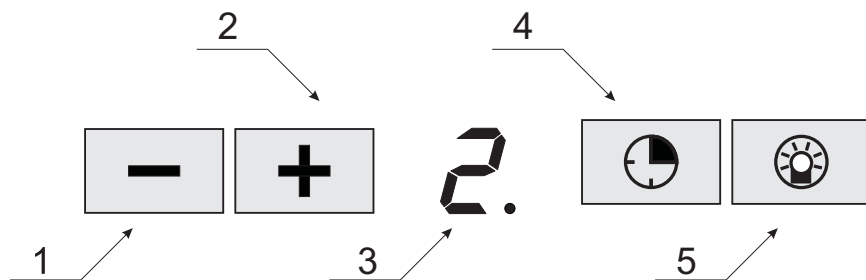
Użytkownik jest zobowiązany do oddania go prowadzącym zbieranie zużytego sprzętu elektrycznego i elektronicznego. Prowadzący zbieranie, w tym lokalne punkty zbiórki, sklepy oraz gminne jednostki, tworzą odpowiedni system umożliwiający oddanie tego sprzętu.

Właściwe postępowanie ze zużyтым sprzętem elektrycznym i elektronicznym przyczynia się do uniknięcia szkodliwych dla zdrowia ludzi i środowiska naturalnego konsekwencji, wynikających z obecności składników niebezpiecznych oraz niewłaściwego składowania i przetwarzania takiego sprzętu.

OBSŁUGA

Sterowanie okapem

Panel sterowania okapu jest przedstawiony na rysunku 4, dla przypomnienia znajduje się on również poniżej:



Panel sterowania

Aby włączyć wybraną funkcję, naciśnij jeden z poniższych przycisków:





- 1- Zmniejsza prędkość silnika o poziom niżej. Jeżeli silnik okapu pracuje, przyciskiem tym można go wyłączyć
- 2- Zwiększa prędkość silnika o poziom wyżej. Jeżeli okap jest w trybie czuwania, przyciskiem tym można włączyć silnik okapu.
- 3- Wyświetlacz wskazujący wybrany bieg (Wyświetlacz nie jest sensorem ani przyciskiem). Okap jest wyposażony w 4 biegi*.
- 4- Funkcja opóźnienia wyłączenia okapu (Timer)
- 5- Włączenie lub wyłączenie oświetlenia. Oświetlenie działa niezależnie od ustawionego biegu.



Możliwe do ustawienia biegi*:

- Bieg najniższy (1). Stosuj ten bieg przy niezbyt dużej ilości oparów.
- Biegi średnie (2 i 3*). Stosuj ten bieg przy średniej ilości oparów, przykładowo podczas gotowania wielu potraw jednocześnie.
- Bieg najwyższy (4*). Stosuj ten bieg przy największej ilości oparów, przykładowo podczas smażenia czy grillowania.

* Wybrane modele posiadają zakres prędkości 1-3.

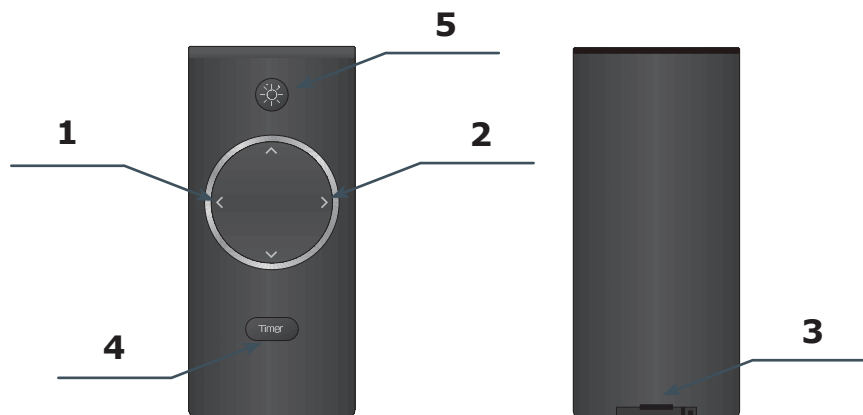
Timer (opóźnione wyłączenie okapu)

Funkcja ta służy do opóźnionego wyłączenia się silnika okapu. Użyj tej funkcji po zakończonym gotowaniu, by oczyścić powietrze z oparów w pomieszczeniu. Maksymalny czas opóźnienia to 90 minut. Aby włączyć tą funkcję, podczas pracy okapu na dowolnym biegu naciśnij przycisk . Na wyświetlaczu zacznie migać cyfra . Następnie przyciskami  oraz  wybierz czas opóźnienia wyłączenia w zakresie 1-9 (każdy poziom dodaje 10 minut, przykładowo wybierając cyfrę 2, opóźnienie

wyniesie 20 min, wybierając cyfrę 5, opóźnienie wyniesie 50 min itd.). Naciśnij powtórnie przycisk  aby aktywować funkcję. Poprawne ustawienie czasu opóźnienia wyłączenia będzie sygnalizowane miganiem kropki przy cyfrze na wyświetlaczu. Aby wyłączyć funkcję opóźnienia wcześniej, naciśnij przycisk . Okap będzie dalej pracował na wcześniej ustawionym biegu. Funkcja opóźnionego wyłączenia silnika okapu nie spowoduje wyłączenia oświetlenia.

Pilot zdalnego sterowania

Na wyposażeniu okapu znajduje się pilot zdalnego sterowania, jest on przedstawiony na rysunku 4a, dla przypomnienia znajduje się on również poniżej:



Okapem można sterować również za pomocą pilota zdalnego sterowania. W tym celu skieruj front pilota w stronę okapu i wybierz odpowiednią funkcję:

- 1- Zmniejsza bieg o poziom niżej
- 2- Zwiększa bieg o poziom wyżej
- 3- Tacka na baterię
- 4- Funkcja opóźnienia wyłączenia okapu (Timer)- opis funkcji znajduje się na poprzedniej stronie
- 5- Włącz lub wyłącz oświetlenie. Oświetlenie działa niezależnie od ustawnego biegu.

Pilot fabrycznie nie jest wyposażony w baterię. Należy ją nabyć w odpowiednich placówkach handlowych- Bateria CR2032 3V (jedna sztuka). Aby wymienić baterię wysuń tackę (pozycja 3 na rysunku) znajdującą się w dolnej krawędzi pilota. Umieść na niej baterię zwracając uwagę na odpowiednie oznaczenia biegunów. Wsuń tackę z powrotem.

Uwaga! Między pilotem a czujnikiem nie może być żadnych przeszkód. Światło świetlówek może zakłócać komunikację między pilotem a okapem.

Inne ważne informacje dotyczące obsługi okapu

Praca jako pochłaniacz: W tej opcji pracy przefiltrowane powietrze wraca z powrotem do pomieszczenia poprzez otwory do tego przystosowane. Przy tym ustawieniu należy zamontować filtr węglowy oraz zaleca się zamontować kierownicę wydmuchu powietrza (dostępność w zależności od modelu, występuje głównie w okapach kominowych).

Praca jako wyciąg: W trakcie wyciągowego trybu pracy okapu powietrze odprowadzane jest na zewnątrz specjalnym przewodem. Przy tym ustawieniu należy usunąć ewentualny filtr węglowy. Okap jest podłączony do otworu odprowadzającego powietrze na zewnątrz za pomocą sztywnego lub elastycznego przewodu o średnicy 150 mm lub 120 mm i odpowiednich zacisków do przewodów, które należy nabyć w placówkach z materiałami instalacyjnymi. Podłączenie należy zlecić wykwalifikowanemu instalatorowi.

Prędkość wentylatora: Prędkości najniższą i średnią stosuje się przy normalnych warunkach oraz małym natężeniu oparów, natomiast prędkość najwyższą stosować tylko przy dużym stężeniu oparów kuchennych, np. podczas smażenia, czy grillowania.

Uwaga (dotyczy tylko okapów uniwersalnych): Konstrukcja okapów uniwersalnych wymaga ręcznej zmiany trybu pracy okapu. Sposób zmiany tego trybu zobrazowany jest na rysunku 8.

Uwaga (dotyczy tylko okapów meblowych i teleskopowych): Okapy meblowe i teleskopowe pracujące w trybie pochłaniacza wymagają montażu rury odprowadzającej powietrze. Drugi koniec rury należy skierować na pomieszczenie, przez nią będzie odprowadzane przefiltrowane powietrze.

Uwaga: Okapy wiszące pracują tylko w trybie pochłaniacza.

CZYSZCZENIE I KONSERWACJA

Konserwacja

Regularna konserwacja i czyszczenie urządzenia zapewni dobrą i bezawaryjną pracę okapu oraz przedłuży jego żywotność. Należy zwracać szczególną uwagę, aby filtr przeciwłuszczowy i filtr z węglem aktywnym były czyszczone i wymieniane zgodnie z zaleceniami producenta.

- Nie używać namoczonych szmatek lub gąbek ani strumienia wody.
- Nie stosować rozpuszczalników ani alkoholu, ponieważ mogą one zmatowić lakierowane powierzchnie.
- Nie stosować substancji żrących, zwłaszcza do czyszczenia powierzchni wykonanych ze stali nierdzewnej.
- Nie używać twardej, szorstkiej szmatki
- Zaleca się stosowanie wilgotnej szmatki oraz obojętnych środków myjących.

Uwaga: Po kilku myciach w zmywarce, kolor filtra aluminiowego może ulec zmianie. Zmiana koloru nie oznacza nieprawidłowości oraz konieczności jego wymiany.

Filtr przeciwłuszczowy

Filtr przeciwłuszczowy powinien być czyszczony co jeden miesiąc podczas normalnej pracy okapu, w zmywarce lub ręcznie przy użyciu delikatnego detergentu lub mydła w płynie.

Demontaż filtra przeciwłuszczowego pokazany jest na rysunku 5.

W niektórych modelach zastosowany jest filtr akrylowy. Należy go wymieniać co najmniej raz na 2 miesiące lub częściej w wypadku wyjątkowo intensywnego użycia.

Filtr węglowy

Filtr węglowy stosuje się wyłącznie wtedy, kiedy okap nie jest podłączony do przewodu wentylacyjnego. Filtr z węglem aktywnym posiada zdolność pochłaniania zapachów aż do swego nasycenia. Nie nadaje się także do mycia ani do regeneracji i powinien być wymieniany, co najmniej raz na 3-4 miesiące lub częściej w wypadku wyjątkowo intensywnego użycia.

Demontaż filtra węglowego pokazany jest na rysunku 6.

Oświetlenie

Należy stosować żarówki / halogeny / moduły diodowe o takich samych parametrach jak fabrycznie zamontowane w urządzeniu. Wymiana oświetlenia jest pokazana na rysunku 7. Jeżeli rysunek nie występuje w niniejszej instrukcji, wymiany modułu oświetlenia może dokonać jedynie autoryzowany serwis.

GWARANCJA, OBSŁUGA POSPRZEDAŻOWA

Gwarancja

Świadczenia gwarancyjne wg karty gwarancyjnej. Producent nie odpowiada za jakiegokolwiek szkody spowodowane nieprawidłowym postępowaniem z wyrobem.

Serwis

- Producent sprzętu sugeruje, by wszelkie naprawy i czynności regulacyjne były wykonywane przez Serwis Fabryczny lub Serwis Autooryzowany producenta. Ze względu na bezpieczeństwo nie należy naprawiać urządzenia we własnym zakresie.
- Naprawy, wykonywane przez osoby nie posiadające wymaganych kwalifikacji mogą stanowić poważne niebezpieczeństwo dla użytkownika urządzenia.
- Minimalny okres obowiązywania gwarancji na urządzenie oferowane przez producenta, importera lub upoważnionego przedstawiciela jest podany w karcie gwarancyjnej.
- Urządzenie traci gwarancję w wyniku samowolnych adaptacji, przeróbek, naruszenia plomb lub innych zabezpieczeń sprzętu lub jego części oraz innych samowolnych ingerencji w sprzęt niezgodnych z instrukcją obsługi.

Zgłoszenie naprawy oraz pomoc w razie usterki

Jeżeli urządzenie wymaga naprawy, należy skontaktować się z serwisem. Dane adresowe serwisu jak i kontaktowy numer telefonu znajduje się w karcie gwarancyjnej. Przed kontaktem należy przygotować numer seryjny urządzenia, znajduje się on na tabliczce znamionowej. Dla wygody przepisz go poniżej:

| | | | | | | | | | | | | | | |
|--|--|--|--|--|--|--|--|--|--|--|--|--|--|--|
| | | | | | | | | | | | | | | |
|--|--|--|--|--|--|--|--|--|--|--|--|--|--|--|

Oświadczenie producenta

Producent deklaruje niniejszym, że wyrób ten spełnia zasadnicze wymagania wymienionych poniżej dyrektyw europejskich:

- **Dyrektywy niskonapięciowej 2014/35/EU**
- **Dyrektywy kompatybilności elektromagnetycznej 2014/30/EU**
- **Dyrektywy ekoprojektowania 2009/125/EC**
- **Dyrektywy RoHS 2011/65/EU**

i dlatego wyrób został oznakowany **CE** oraz została wystawiona dla niego deklaracja zgodności udostępniana organom nadzorującym rynek.

Vážený kliente,

počínaje dnešním dnem jsou každodenní povinnosti jednodušší než kdykoli jindy. Zařízení **Amica** je spojením výjimečně snadné obsluhy a vynikající efektivity. Po přečtení návodu nebudete mít problém s obsluhou.

Zařízení, které opustilo továrnu, bylo důkladně zkontrolováno před zabalením z hlediska bezpečnosti a funkčnosti na kontrolních stanovištích.

Před uvedením zařízení do provozu si pozorně přečtěte návod k obsluze. Dodržováním pokynů uvedených v návodu předejdete nesprávnému používání. Návod si ponechte a uschovejte tak, abyste jej měli vždy při ruce.

Dodržujte přesně návod k obsluze, abyste zabránili nešťastným událostem.

S úctou

Amica

BEZPEČNOSTNÍ POKYNY

- Odsavač používejte teprve po přečtení tohoto návodu!
- Zařízení je určeno výlučně pro domácí použití.
- Výrobce si vyhrazuje možnost provádění změn, které nemají vliv na funkčnost zařízení.
- Výrobce nenese žádnou odpovědnost za eventuelní škody nebo požár způsobené zařízením, vyplývající z nedodržování pokynů uvedených v tomto návodu.
- Kuchyňský odsavač slouží k odstraňování kuchyňských výparů. Nepoužívejte jej pro jiné účely.
- Odsavač pracující v odtahovém režimu napojte na příslušný ventilační kanál (nenapojujte na komínové, kouřové nebo spalinové kanály, které jsou v provozu). Odsavač musí mít namontované potrubí odvádějící vzduch ven. Délka potrubí (nejčastěji roura Ø 120 nebo 150 mm) nesmí být delší než 4–5 m. Potrubí odvádějící vzduch se rovněž vyžaduje u teleskopických a nábytkových odsavačů v režimu pohlcovače.
- Odsavač pracující jako pohlcovač vyžaduje filtr s aktivním uhlím. V tomto případě není nutná montáž potrubí odvádějícího vzduch ven, zato se doporučuje namontovat zpětnou klapku vzduchu (pouze komínové odsavače).
- Odsavač má nezávislé osvětlení a odtahový ventilátor s možností nastavení jedné z několika rychlostí otáček.
- V závislosti na verzi zařízení je odsavač určen pro trvalé připevnění na svislou stěnu nad plynový nebo elektrický sporák (komínové a univerzální odsavače); na strop nad plynový nebo elektrický sporák (ostrůvkové odsavače); na svislou stěnu v kuchyňské lince nad plynový nebo elektrický sporák (teleskopické a vestavné odsavače). Před montáží se ujistěte, že konstrukce stěny/stropu udrží hmotnost odsavače. Některé modely odsavačů jsou velmi těžké.
- Montážní výška zařízení nad elektrickou deskou

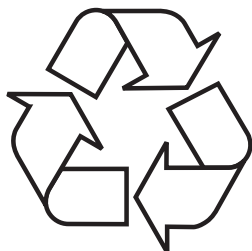
je uvedena v technickém listu (technické specifikaci zařízení). Pokud v montážních návodech plynových zařízení je uvedena větší vzdálenost, zohledněte to (Obr. 1).

- Pod kuchyňským odsavačem nenechávejte otevřený plamen při odsávání nádobí z hořáku, nastavte minimální plamen. Vždy zkontrolujte, zda plamen nepřesahuje přes okraj nádoby, protože to způsobuje nežádoucí ztráty energie a nebezpečnou koncentraci tepla.
- Na pokrmy připravované na tuku neustále dohlížejte, protože rozehřátý tuk se může snadno vznítit.
- Před každým čištěním, výměnou filtru nebo před zahájením opravy vyjměte zástrčku zařízení ze zásuvky.
- Protitukový filtr do kuchyňského odsavače čistěte alespoň jednou za měsíc, protože nasáknutý tukem je lehce hořlavý.
- Pokud jsou v místnosti v provozu kromě odsavače jiná zařízení s neelektrickým napájením (např. kamna na kapalné palivo, průtokové ohřivače, termy), zajistěte dostatečné větrání (přívod vzduchu). Bezpečné používání je možné, když při současném provozu odsavače a spalovacích zařízení, závislých na vzduchu v místnosti, je v místě postavení těchto zařízení podtlak nanejvýš 0,004 milibaru (tento bod neplatí, pokud kuchyňský odsavač používáte jako pohlcovač pachů).
- Odsavač nemá sloužit jako plocha pro opření se osob nacházejících se v kuchyni.
- Okap často čistěte jak z vnějšku, tak i uvnitř (ALESPON JEDNOU ZA MĚSÍC, s dodržением pokynů ohledně údržby uvedených v tomto návodu). Nedodržování zásad týkajících se čištění odsavače a výměny filtrů způsobuje nebezpečí požáru.
- Pokud se napájecí kabel poškodí, musí být vyměněn ve specializovaném servisu.
- Zajistěte možnost odpojení zařízení od elektrického napájení vytažením zástrčky nebo vypnutím dvoupolového vypínače.
- Toto zařízení není přizpůsobeno používání osobami (včetně dětí) s omezenou fyzickou, smyslovou nebo psychickou schopností nebo osobami s nedostatečnými zkušenostmi a znalostmi zařízení,

ledaže jej používají pod dohledem nebo v souladu s návodem k používání zařízení, předaným osobami zodpovídajícími za jejich bezpečnost.

- Všimněte si pozorně, aby zařízení nepoužívaly děti ponechané bez dozoru.
- Zkontrolujte, zda napětí uvedené na výrobním štítku odpovídá místním parametrům napájení.
- Před montáží roztáhněte a vyrovnejte síťový kabel.
- Obalové materiály (polyetylenové sáčky, pěnový polystyren apod.) nenechávejte při vybalování v dosahu dětí.
- Před připojením odsavače k elektrickému napájení vždy zkontrolujte, zda je síťový kabel správně nainstalován a zda NEBYL přimáčknutý odsavačem při montáži. NEPŘIPOJUJTE zařízení k elektrické síti před ukončením montáže.
- Je zakázáno používat odsavač bez namontovaných hliníkových protitukových filtrů.
- Přísně je zakázáno připravovat pod odsavačem pokrmy na otevřeném ohni (flambování).
- V rámci nutnosti použití technických a bezpečnostních opatření týkajících se odvádění spalin dodržujte přesně předpisy vydané kompetentními místními orgány.
- Neutažení šroubů a upevňovacích prvků podle těchto pokynů může vést k ohrožení zdraví a života.
- Závěsné odsavače fungují pouze v režimu pohlcovače pachů.
- **POZOR!** V případě chybějící instalace šroubů a úchytných prvků dle pokynů uvedených v tomto návodu může dojít k vzniku nebezpečí elektrické povahy.
- To zařízení může být používané dětmi ve věku 8 let a staršími, osoby s omezenými fyzickými anebo mentálními schopnostmi, jak rovněž osoby bez zkušenosti a bez znalosti zařízení, mohou konvici používat, pokud jsou dozorované anebo byly instruované ohledně obsluhy zařízení bezpečným způsobem a znají ohrožení spojené s používáním zařízení. Děti si nemohou se zařízením hrát. Čištění a konzervace zařízení nemůže být vykonávána dětmi, ledaže skončily 8 let a mají dohled zodpovědné osoby.

VYBALENÍ



Zařízení bylo po dobu přepravy zabezpečeno proti poškození. Po vybalení zařízení odstraňte části obalu způsobem, který neohrožuje životní prostředí.

Všechny materiály použité na obal jsou stoprocentně neškodné pro životní prostředí a jsou vhodné pro zpětné získání a byly označeny příslušným symbolem. Upozornění! Obalové materiály (polyetylenové sáčky, pěnový polystyren apod.) nenechávejte při vybalování v dosahu dětí.

LIKVIDACE OPOTŘEBOVANÝCH ZAŘÍZENÍ



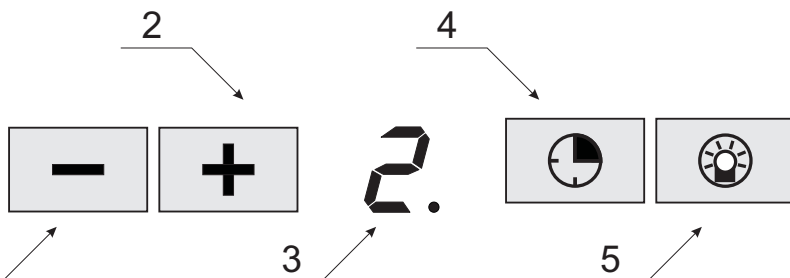
Toto zařízení je označeno v souladu s evropskou směrnicí 2012/19/ES. Takové označení znamená, že toto zařízení se po ukončení životnosti nesmí vyhazovat společně s jiným domácím odpadem.

Uživatel je povinen odevzdat jej do sběrný použitých elektrických a elektronických zařízení. Provádějící sběr, včetně místních sběren, obchodů a obecních úřadů, tvoří systém umožňující odevzdávání těchto zařízení. Příslušné nakládání s použitými elektrickými a elektronickými zařízeními zabranuje negativním následkům pro lidské zdraví a životní prostředí, vznikajícím z přítomnosti nebezpečných složek a nesprávného skladování a zužitkování takových zařízení.

OBSLUHA

Ovládání odsavače

Ovládací panel odsavače je znázorněn na obrázku 4, pro připomenutí nachází se také níže:



Ovládací panel

Je vybaven senzorovým panelem. Chcete-li zapnout vybranou funkci, dotkněte se jednoho z níže uvedených polí:

- 1- Snižuje rychlost motoru o úroveň níže
- 2- Zvyšuje rychlost motoru o úroveň výše
- 3- Displej zobrazující vybranou rychlost. Odsavač je vybaven 3 nebo 4 rychlostmi (v závislosti na modelu).
- 4- Funkce opožděného vypnutí odsavače (časovač)
- 5- Zapnutí nebo vypnutí osvětlení. Osvětlení funguje nezávisle na motoru odsavače.

Rychlosti možné pro nastavení:

- Nejnižší rychlost (1). Tuto rychlost použijte při malém množství páry.
- Střední rychlosti (2 a 3*). Tuto rychlost použijte při středním množství páry, například při vaření více pokrmů najednou.
- Nejvyšší rychlost (4). Tuto rychlost použijte při největším množství páry, například při smažení nebo grilování.

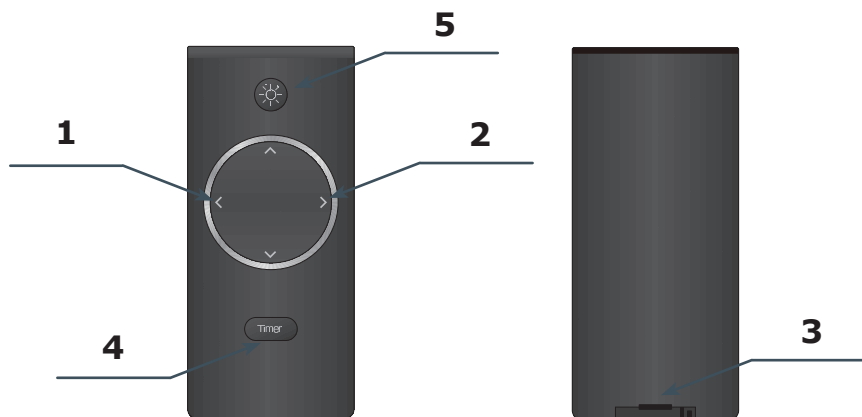
*V závislosti na modelu

Časovač (opožděné vypnutí motoru odsavače)

Tato funkce slouží k opožděnému vypnutí motoru odsavače. Tuto funkci použijte po ukončení vaření, abyste očistili vzduch v místnosti od výparu. Maximální doba opoždění je 90 minut. Pokud chcete zapnout tuto funkci, dotkněte se během provozu odsavače s libovolnou rychlostí senzoru ☉. Na displeji začne blikat číslice 0. Pak pomocí senzoru + a - vyberte čas opožděného vypnutí v rozsahu 1–9 (každá úroveň přidává 10 minut, například při výběru číslice 2 bude prodloužit činit 20 min, při výběru číslice 5 bude prodloužit činit 50 min. atd.). Dotkněte se opět senzoru ☉, abyste aktivovali funkci. Správné nastavení času opožděného vypnutí bude indikovat blikání tečky u číslice na displeji. Chcete-li vypnout funkci opožděného vypnutí dříve, dotkněte se senzoru ☉. Pak senzorem - snižte čas prodloužení na nulu. Potvrďte stornování opožděného vypnutí odsavače senzorem ☉. Funkce opožděného vypnutí odsavače nezpůsobí vypnutí osvětlení.

Dálkový ovladač

Odsavač je vybaven dálkovým ovladačem, je znázorněn na obrázku 4a, pro připomenutí se nachází také níže:



Odsavač můžete ovládat také pomocí dálkového ovladače. Za tímto účelem nasměrujte ovladač na čelní stranu odsavače a vyberte příslušnou funkci:

- 1– Sníží rychlost na nižší úroveň
- 2– Zvýší rychlost na vyšší úroveň
- 3– Táč
- 4– Funkce opožděného vypnutí odsavače (Časovač) – popis funkce je uveden na předchozí stránce
- 5– Zapnout nebo vypnout osvětlení. Osvětlení funguje nezávisle na nastavené rychlosti.

Baterie není součástí dodávky. Můžete ji koupit v určitých obchodech – Baterie CR2032 3V (jeden kus).

Chcete-li vyměnit baterii, vysuňte táč (položka 3 na obrázku) nacházející se na spodní straně ovladače. Umístěte na něj baterii, dávejte přitom pozor na označení polarity. Táč zasuňte zpět.

Upozornění! Mezi ovladačem a senzorem nesmí být žádné překážky. Světlo zářivek může narušovat komunikaci mezi ovladačem a odsavačem.

Jiné důležité informace o obsluze odsavače

Provoz jako pohlčovač: V tomto provozním režimu se přefiltrovaný vzduch vrací zpět do místnosti k tomu přizpůsobenými otvory. Při tomto nastavení nainstalujte uhlíkový filtr a doporučuje se montáž zpětné vzduchové klapky (dostupnost v závislosti na modelu, vyskytuje se hlavně v komínových odsavačích).

Provoz jako odtah: Během odtahového provozního režimu odsavače je vzduch odváděn vně speciálním potrubím. Při tomto nastavení odstraňte eventuální uhlíkový filtr. Odsavač je připojen k otvoru odvádějícímu vzduch ven pomocí tuhého nebo pružného potrubí o průměru 150 mm nebo 120 mm a vhodných svorek k potrubím, které je třeba zakoupit v prodejnách s instalačním materiálem. Připojení svěřte kvalifikovanému pracovníkovi.

Rychlost ventilátoru: Nejnižší a střední rychlost používejte za normálních podmínek a při nízké koncentraci výparů, zatímco nejvyšší rychlost používejte pouze při vysoké koncentraci kuchyňských výparů, např. při smažení nebo grilování.

Poznámka (týká se pouze univerzálních odsavačů): Konstrukce univerzálních odsavačů vyžaduje manuální změnu provozního režimu odsavače. Způsob změny tohoto režimu je znázorněn na obrázku 8.

Poznámka (týká se pouze nábytkových a teleskopických odsavačů): Nábytkové a teleskopické odsavače pracující jako pohlčovač vyžadují montáž roury odvádějící vzduch. Druhý konec roury nasměrujte do místnosti, rourou bude odváděn filtrovaný vzduch.

Upozornění: Závěsné odsavače pracují pouze jako pohlčovač.

ČIŠTĚNÍ A ÚDRŽBA

Údržba

Pravidelná údržba a pravidelné čištění zařízení zajistí správný a bezporuchový provoz odsavače a prodlouží jeho životnost. Věnujte zvláštní pozornost tomu, aby se protitukový filtr a filtr s aktivním uhlím čistily a měnily podle pokynů výrobce.

- Nepoužívejte navlhčené hadříky nebo houby a také proud vody.
- Nepoužívejte rozpouštědla a alkohol, protože by mohly zmatnit lakované povrchy.
- Nepoužívejte leptavé látky, zejména na čištění povrchů z nerezové oceli.
- Nepoužívejte tvrdý, drsný hadřík.
- Doporučuje se používat vlhký hadřík a neutrální čisticí přípravky.

Upozornění: Po několika mytích v myčce se může změnit barva hliníkového filtru. Změna barvy neznamená odchylku a nutnost jeho výměny.

Protitukový filtr

Protitukový filtr čistěte jednou za měsíc během normálního provozu odsavače, v myčce nebo ručně jemným čisticím přípravkem nebo tekutým mýdlem.

Demontáž protitukového filtru je znázorněna na obrázku 5.

U některých modelů se používá akrylový filtr. Měňte jej alespoň jednou za dva měsíce nebo častěji v případě výjimečně intenzivního používání.

Uhlíkový filtr

Uhlíkový filtr používejte pouze v případě, když odsavač není připojen k ventilačnímu kanálu. Filtr s aktivním uhlím má schopnost pohlcovat pachy až do svého nasycení. Není vhodný také k mytí a regeneraci a musí se měnit alespoň jednou za 3-4 měsíce nebo častěji v případě výjimečně intenzivního používání.

Demontáž uhlíkového filtru je znázorněna na obrázku 6.

Osvětlení

Používejte žárovky / halogeny / diodové moduly se stejnými parametry jako u původních namontovaných v zařízení. Výměna žárovek je znázorněna na obrázku 7. Pokud obrázek není v tomto návodu, výměnu osvětlovacího modulu může provést pouze autorizovaný servis.

ZÁRUKA, POPRODEJNÍ SERVIS

Záruka

Záruční plnění podle záručního listu. Výrobce neodpovídá za žádné škody způsobené nesprávným zacházením s výrobkem.

Servis

- Výrobce zařízení doporučuje, aby všechny opravy a seřizovací činnosti prováděl tovární servis nebo autorizovaný servis výrobce. Z bezpečnostních důvodů neopravujte zařízení vlastními silami.
- Opravy osobami bez požadované kvalifikace mohou představovat vážné nebezpečí pro uživatele zařízení.
- Minimální doba platnosti záruky na zařízení nabízené výrobcem, dovozcem nebo oprávněným zástupcem je uvedena v záručním listu.
- Zařízení ztrácí záruku v důsledku svépomocných adaptací, upravy, porušení plomb nebo dalších zabezpečení přístroje nebo jeho částí a dalších svépomocných zásahů do zařízení v rozporu s návodem k obsluze.

Oznámení poruchy a pomoc v případě závady

Potřebuje-li zařízení opravit, kontaktujte servis. Kontaktní údaje servisu včetně telefonního čísla se nacházejí v záručním listu. Před kontaktem si připravte výrobní číslo zařízení, nachází se na výrobním štítku. Pro pohodlí si ho přepíšte níže:

| | | | | | | | | | | | | | | | |
|--|--|--|--|--|--|--|--|--|--|--|--|--|--|--|--|
| | | | | | | | | | | | | | | | |
|--|--|--|--|--|--|--|--|--|--|--|--|--|--|--|--|

Prohlášení výrobce

Producent tímto prohlašuje, že tento výrobek splňuje základní požadavky níže uvedených evropských směrnic:

- Směrnice pro nízkonapěťová zařízení 2014/35/EU
- Směrnice o elektromagnetické kompatibilitě 2014/30/EU
- Směrnice ErP - 2009/125/EC
- Směrnice RoHS 2011/65/EU

Zařízení je označeno symbolem  a má prohlášení o shodě pro kontrolu příslušným orgánem dozoru nad trhem.

Vážený zákazník

Od dnešného dňa každodenné povinnosti budú jednoduchšie ako kedykoľvek predtým. Zariadenie značky **Amica** spája výnimočne jednoduché používanie a dokonalú efektívnosť. Keď sa oboznámite s užívateľskou príručkou, s používaním zariadenia nebudete mať žiadne problémy.

Zariadenie, ktoré opúšťa továreň, bolo pred konečným zabalením na kontrolných staniciach dôkladne skontrolované, čo sa týka bezpečnosti a funkčnosti zariadenia.

Pred spustením zariadenia sa podrobne a dôkladne oboznámte s užívateľskou príručkou. Dodržiavaním pokynov a odporúčaní, ktoré sú v príručke uvedené, predídete nesprávnemu používaniu zariadenia. Príručku uchovajte a uložte ju na takom mieste, aby bola v prípade potreby ľahko dostupná.

Dôkladne dodržiavajte pokyny a odporúčania uvedené v príručke, vyhnete sa tak nešťastným nehodám či úrazom.

S úctou

Amica

BEZPEČNOSTNÉ POKYNY POUŽÍVANIA

- Odsávač používajte iba po prečítaní tohto návodu!
- Zariadenie je určené iba na domáce, neprofesionálne použitie.
- Výrobca si vyhradzuje právo na vykonávanie zmien, ktoré neovplyvňujú fungovanie zariadenia.
- Výrobca nezodpovedá za prípadné škody alebo požiare spôsobené zariadením následkom nedodržiavania pokynov a odporúčaní, ktoré sú uvedené v tejto príručke.
- Kuchynský odsávač sa používa na odstraňovanie (odsávanie) kuchynských pár. Nepoužívajte ho na iné účely.
- Odsávač, ktorý funguje v režime odsávania, pripojte k príslušnému ventilačnému potrubiu (nepripájajte ku komínovým, dymovým alebo spalinovým potrubiam, ktoré sú v prevádzke). Odsávač vyžaduje inštaláciu potrubia, ktoré odvádza vzduch smerom von z miestnosti. Dĺžka potrubia (najčastejšie rúra Ø 120 alebo 150 mm) nesmie byť dlhšia ako 4-5 m. Potrubie odvádzajúce vzduch sa musí používať aj v prípade teleskopických a vstavaných odsávačov používaných v režime pohlčovania
- Odsávač, ktorý je nastavený režime pohlčovania, vyžaduje inštaláciu filtra s aktívnym uhlím. V tomto prípade sa nevyžaduje inštalácia potrubia odvádzajúceho vzduch von, odporúča sa však montáž usmerňovača prúdu vzduchu (iba komínové odsávače).
- Odsávač má nezávislé osvetlenie a tiež odťahový ventilátor s možnosťou nastaviť jednu z niekoľkých rýchlostí otáčania.

- V závislosti na verzii zariadenia je odsávač určený na trvale pripevnenie na zvislú stenu nad plynovým alebo elektrickým sporákom (komínové a univerzálne odsávače); na strop nad plynovým alebo elektrickým sporákom (ostrovne odsávače); na zvislú stenu v zabudovanom nábytku nad plynovým alebo elektrickým sporákom (teleskopické a vstavané odsávače). Pred inštaláciou sa uistite, či konštrukcia steny / stropu je dostatočná na udržanie odsávača. Niektoré modely odsávačov sú veľmi ťažké.
- Výška inštalácie zariadenia nad elektrickou varnou doskou je uvedená v liste výrobku (technickej špecifikácii zariadenia). Ak je v montážnej príručke plynových zariadení uvedená väčšia vzdialenosť, musí to byť pri montáži zohľadnené (obr. 1).
- Pod kuchynským odsávačom nenechávajte otvorený oheň, pri vyberaní riadu z horáku nastavte minimálny plameň. Vždy skontrolujte, či plameň nepresahuje poza riad, pretože to spôsobuje nežiaduce straty energie a nebezpečnú koncentráciu tepla.
- Jedlá pripravované na tuku/oleji musia byť pod stálym dohľadom, pretože nahriaty olej/tuk sa môže ľahko zapáliť.
- Pred každou manipuláciou, napr. čistenie, výmena filtra alebo pred začatím servisných prác, odsávač pár sa musí odpojiť od elektrického napätia.
- Protitukový filter do kuchynského odsávača sa musí čistiť minimálne raz mesačne, keďže zachytený tuk je ľahko horľavý.
- Ak sa v miestnosti, okrem odsávača, využívajú iné zariadenia s neelektickým spaľovaním (napr. pece na tekuté palivo, prietokové ohrievače), musí sa zabezpečiť dostatočné vetranie (prísun vzduchu). Bezpečné používanie je možné vtedy, ak pri súčasnom používaní odsávača a iných zariadení,

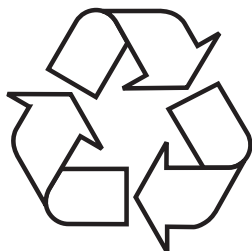
ktoré spotrebúvajú vzduch v danej miestnosti, na mieste používania týchto zariadení je podtlak maximálne 0,004 milibaru (tieto požiadavky sa nemusia splniť v prípade, ak sa odsávač používa v režime pohlcovača pár).

- Odsávač sa nesmie používať ako plocha na opieranie osôb, ktoré sú v kuchyni.
- Odsávač často čistite, tak z vonku ako aj z vnútra (MINIMALNE RAZ MESACNE), pričom dodržiavajte pokyny uvedené v tejto príručke. V prípade nedodržiavania zásad týkajúcich sa čistenia odsávača, ako aj výmeny filtrov, hrozí riziko vzniku požiaru.
- Ak bude napájací kábel bude poškodený, musí byť vymenený v špecializovanom servise.
- Zabezpečte možnosť odpojenia zariadenia od el. napätia vytiahnutím zástrčky z el. zásuvky, alebo vypnutím dvojpólového vypínača.
- Toto zariadenie nie je prispôbené k používaniu osobami (v tom deťmi) s obmedzenou fyzickou, zmyslovou alebo psychickou schopnosťou alebo osobami s nedostatočnými skúsenosťami a znalosťami zariadenia, iba ak je uskutočňované pod dohľadom alebo v súlade s návodom používania zariadenia, odovzdanom osobami odpovedajúcimi za ich bezpečnosť.
- Venujte mimoriadnu pozornosť tomu, aby spotrebič nepoužívali deti ponechané bez dozoru.
- Skontrolujte, či el. napätie uvedené na výrobnom štítku zariadenia sa zhoduje s parametrami el. napätia siete.
- Pred montážou napájací kábel rozviňte a vyrovnajte.
- Dávajte pozor, aby sa obalové materiály (polyetylénové vrecká, kúsky polystyrénu atď.) nedostali do rúk deťom.
- Pred pripojením odsávača k sieťovému napájaniu vždy skontrolujte, či bol napájací kábel správne

nainštalovaný a či NEBOL pritlačený odsávačom počas montážnych prác. Zariadenie nepripájajte k el. napätiu predtým, než úplne skončíte montáž zariadenia.

- Odsávač sa nesmie používať bez namontovaných hliníkových protitukových filtrov.
- Pod odsávačom sa v žiadnom prípade nesmú pripravovať jedlá s použitím otvoreného ohňa (flambovanie). Je to prísne zakázané.
- Čo sa týka dodržiavania požadovaných technických a bezpečnostných prostriedkov a pokynov týkajúcich sa odvádzania spalín, bezpodmienečne dodržujte platné miestne predpisy a normy.
- V prípade, ak skrutky, ako aj montážne a upevňujúce prvky nebudú správne (v súlade s touto príručkou) dotiahnuté (upevnené), hrozí riziko úrazu, či dokonca smrti.
- Visiace odsávače fungujú iba v režime pohlčovania pachov.
- **POZOR!** Chýbajúca inštalácia upevňovacích skrutiek alebo prostriedkov v súlade s týmito pokynmi môže spôsobiť úraz elektrickým prúdom.
- Toto zariadenie môže byť používané deťmi vo veku 8 rokov a starších, osoby s obmedzenými fyzickými alebo mentálnymi schopnosťami, ako aj osobami bez skúseností a bez znalostí zariadenia môžu kanvicu používať, pokiaľ sú dohliadané alebo boli inštruované vzhľadom obsluhy zariadenia bezpečným spôsobom a znajú ohrozenie spojené s používaním zariadenia. Deti si nemôžu so zariadením hrať. Čistenie a konzervácia zariadenia nemôže byť vykonávaná deťmi ledaže ukončili 8 rokov a sú dohliadané zodpovednou osobou.

ROZBALENIE



Zariadenie je chránené pred poškodením počas prepravy. Prosíme Vás, aby ste po vybalení zariadenia zlikvidovali obalové materiály spôsobom neohrozujúcim životné prostredie.

Všetky materiály použité na zabalenie sú neškodné pre životné prostredie, sú 100% recyklovateľné a sú označe-

né príslušným symbolom.

Pozor! Dávajte pozor, aby sa obalové materiály (polyetylenové vrecká, kusky polystyrénu atď.) nedostali do rúk deťom.

LIKVIDÁCIA ZARIADENÍ



Toto zariadenie je označené v súlade s Európskou smernicou 2012/19/ES. Tento symbol informuje, že toto zariadenie sa po opotrebovaní (skončení používania) nešmie vyhodiť do komunálneho odpadu. Užívateľ je povinný zariadenie odovzdať v zbernom mieste opotrebovaných elektrických a elektronických zariadení.

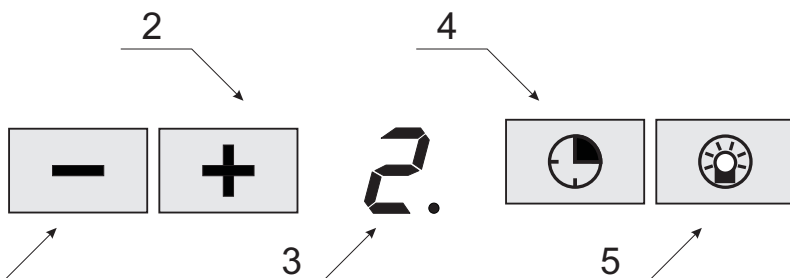
Subjekty, ktoré sa zaoberajú spracovaním opotrebovaných zariadení, tzn. miestne zberné miesta, obchody alebo jednotky štátnej správy, vytvárajú príslušný systém, ktorý každému umožňuje odovzdať takéto zariadenia.

Správny postup pri likvidácii elektrického a elektronického zariadenia predchádza negatívne vplyvu škodlivých pre ľudské zdravie a životné prostredie konzekvencií, ktoré vyplývajú z prítomnosti nebezpečných častí ako aj nesprávneho skladovania a recyklácie takýchto zariadení.

OBSLUHA

Ovládanie odsávača

Ovládací panel odsávača je zobrazený na obr. 4, na pripomenutie je uvedený aj nižšie:



Ovládací panel

Ovládací panel tvorí dotykový panel*. Jednotlivé funkcie sa aktivujú dotykcom nasledujúcich tlačidiel (polí):






- 1- Zníženie rýchlosti motora o jednu úroveň dole
- 2- Zvýšenie rýchlosti motora o jednu úroveň hore
- 3- Displej zobrazujúci aktuálne nastavenú rýchlosť. Odsávač má 3 alebo 4 rýchlosti (závisí od daného modelu).
- 4- Funkcia oneskoreného vypnutia (časovač)
- 5- Zapínanie/vypínanie osvetlenia. Osvetlenie funguje nezávisle od motora odsávača.

Dostupné rýchlosti motora (odsávania):

- Najnižšia rýchlosť (1). Túto rýchlosť používajte, keď sa nevytvára príliš veľa pary.
- Stredná rýchlosť (2 a 3*). Túto rýchlosť používajte, keď sa vytvára stredne veľké množstvo pary, napr. pri varení niekoľkých jedál súčasne.
- Najvyššia rýchlosť (4*). Túto rýchlosť používajte, keď sa vytvára veľké množstvo pary, napr. pri vyprášaní či grilovaní.

* Závisí od daného model

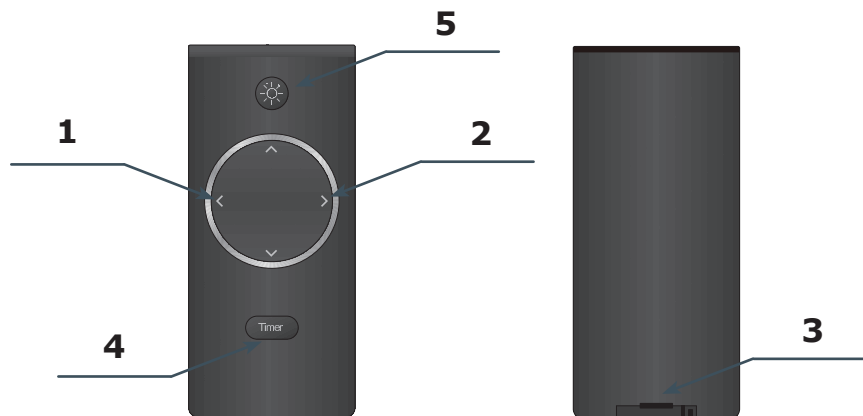
Časovač (oneskorené vypnutie motora odsávača)

Táto funkcia je určená na nastavenie oneskoreného vypnutia odsávania. Funkcia je vhodná napr. vtedy, keď chcete po skončení varenia odsáť všetky pary (zápach) z miestnosti. Maximálny čas oneskorenia je 90 minút. Keď chcete spustiť túto funkciu, keď je odsávač spustený na ľubovoľnej rýchlosti, stlačte snímač . Na displeji začne blikať číslica . Následne stlačením snímača  a  nastavíte požadovaný čas vypnutia, v rozsahu od 1 do 9 (v krokoch po 10 minút, napríklad keď nastavíte 2, odsávač sa vypne po 20 min., keď nastavíte 5, odsávač sa vypne po 50 min. atď.). Funkciu aktivujete opätovným stlačením snímača . Keď je čas oneskoreného vypnutia nastavený správne, na displeji bude pri

číslici blikať bodka. Keď chcete funkciu oneskoreného vypnutia vypnúť škôr, opätovne stlačte snímač ☀. Následne stláčaním snímača - znížte čas oneskorenia na nulu. Zrušenie oneskoreného vypnutia odsávača potvrdíte stlačením snímača ☀. Funkcia oneskoreného vypnutia nevypína osvetlenie (je nezávislé).

Dial'kový ovládač

Súčasťou vybavenia odsávača je diaľkový ovládač, ktorý je predstavený na obrázku 4a, na pripomenutie je uvedený aj nižšie:



Odsávač môžete ovládať aj pomocou diaľkového ovládača. Keď to chcete urobiť, čelnou stranou ovládača namerte na odsávač a vyberte požadovanú funkciu:

- 1- Zníženie rýchlosti o jednu úroveň
- 2- Zvýšenie rýchlosti o jednu úroveň
- 3- Tácku
- 4- Funkcia oneskoreného vypnutia (časovač) – opis funkcie je uvedený na predchádzajúcej strane
- 5- Zapnutie/vypnutie osvetlenia. Osvetlenie funguje nezávisle od aktuálnej rýchlosti.

Batérie nie sú súčasťou továrenského balenia ovládača. Batérie sa kupujú samostatne - použite batériu typu CR2032 3V (jeden kus). Keď chcete batériu vymeniť, vysuňte tácku (položka 3 na schematicom obrázku), ktorá sa nachádza v dolnej časti ovládača. Vyberte starú a vložte novú batériu, pričom zachovajte správny smer pólov, podľa uvedených symbolov. Tácku batérie zasunúť naspäť.

Pozor! Medzi diaľkovým ovládačom a senzorom nesmú byť žiadne prekážky. Svetlo žiaroviek môže rušiť komunikáciu medzi ovládačom a odsávačom.

Iné dôležité informácie týkajúce sa používania odsávača

Režim pohlčovania: V tomto režime sa prefiltrovaný vzduch cez otvory, ktoré sú na to určené, vracia späť do miestnosti (recirkulácia). Pri tomto nastavení sa musí namontovať uhlíkový filter, a tiež odporúčame namontovať smerovač (difúzor) vychádzajúceho vzduchu (dostupný pre každý model, používa sa predovšetkým v komínových odsávačoch).

Režim odsávania: V tomto režime odsávač odvádza vzduch vonku špeciálnym potrubím. V tomto režime nepoužívajte uhlíkový filter (ak je vložený, vyberte ho). Odsávač pár sa pripája k ventilačnému komínu pomocou pevných alebo elastický rúr s priemerom 150 mm alebo 120 mm a príslušných spojok, ktoré si môžete zaobstaráť v obchodoch s inštaláčnymi materiálmi. Pripojenie je potrebné zadať kvalifikovanému technikovi.

Rýchlosť ventilátora: Najnižšia a stredná rýchlosť ventilátora sa používa v normálnych podmienkach a pri malej koncentrácii pár. Najvyššia rýchlosť sa používa iba v prípade vysokej koncentrácie kuchynských pár, napr. počas smaženia, grilovania.

Pozor (týka sa iba univerzálnych odsávačov): Univerzálne odsávače sú skonštruované tak, že zmena režimu práce odsávača sa musí vykonať ručne. Spôsob zmeny režimu je znázornený na obrázku 8.

Pozor (týka sa iba vstavaných a teleskopických odsávačov): Vstavané a teleskopické odsávače používané v režime pohlčovania, musia mať namontované potrubie odvádzajúce vzduch. Druhý koniec potrubia je potrebné nasmerovať do miestnosti, tadiaľ bude odvádzaný prefiltrovaný vzduch.

Pozor: Visiace odsávače fungujú iba v režime pohlčovania.

ČISTENIE A ÚDRŽBA

Konzervácia

Pravidelné čistenie a údržba zariadenia zaručujú dobré fungovanie odsávača a zároveň predlžujú jeho životnosť. Dôležité je pravidelné čistenie protitukových filtrov a výmena uhlíkových filtrov v súlade s odporúčaniami výrobcu.

- Nepoužívajte vlhké handričky alebo špongie ani prúd vody.
- Nepoužívajte riedidlá ani alkohol, pretože by mohli zmatnieť lakované povrchy.
- Nepoužívajte leptavé látky, najmä na čistenie povrchov z nerezovej oceli.
- Nepoužívajte tvrdé, drsné handričky
- Odporúčame používať vlhkú a jemnú handričku s použitím jemných saponátov.

Pozor: Po niekoľkých umytiach v umývačke riadu sa farba hliníkového filtra (mriežky) môže zmeniť. Taká zmena farby neznamena, že filter nefunguje správne, a že sa musí vymeniť.

Protitukový filter

Protitukový filter je potrebné čistiť každý mesiac počas normálnej prevádzky odsávača, v umývačke riadu alebo ručne s použitím jemného čistiaceho prostriedku alebo tekutého mydla.

Demontáž protitukového filtra je znázornená na obrázku č. 5.

Pri niektorých modeloch je použitý akrylový filter. Musí byť vymenený aspoň raz za 2 mesiace, alebo častejšie v prípade veľmi intenzívneho používania.

Uhlíkový filter

Uhlíkový filter sa používajú iba vtedy, ak odsávač pár nie je pripojený na ventilačný komín. Uhlíkový filter je schopný absorbovať pachy až určitú absorpčnú hladinu – nasýtenie. Uhlíkové filtre sa nesmú umývať, nie sú vhodné na regeneráciu a musia sa vymieňať, a to aspoň raz na 3-4 mesiace alebo častejšie, ak sa odsávač pár využíva intenzívne. Demontáž uhlíkového filtra je znázornená na obrázku 6.

Osvetlenie

Je potrebné používať žiarovky / halogény / diódové moduly s rovnakými parametrami ako sú nainštalované výrobcom v zariadení. Výmena osvetlenia je znázornená na obrázku č. 7. Ak obrázok nie je v tejto príručke uvedený, modul osvetlenia môže vymeniť iba autorizovaný servis.

ZÁRUKA, POPREDAJNÝ SERVIS

Záruka

Záruka sa poskytuje podľa podmienok uvedených v záručnom liste. Výrobca neodpovedá za akékoľvek škody spôsobené nesprávnym zaobchádzaním a používaním výrobku.

Servis

- Výrobca zariadenia odporúča, aby všetky opravy a nastavovania výrobku vždy vykonával továrenský servis alebo autorizovaný servis výrobcu. Z bezpečnostných dôvodov neopravujte spotrebič svojpomocným spôsobom.
- Opravy vykonávané osobami, ktoré nemajú požadované kvalifikácie, môže predstavovať vážne nebezpečenstvo pre používateľa zariadenia.
- Minimálna lehota platnosti záruky na zariadenie ponúkané výrobcom, dovozcom alebo oprávneným zástupcom, je uvedená v záručnom liste.
- Záruka na zariadenie prestáva platiť v dôsledku vykonania adaptácie, prerobenia zariadenia, poškodenia plomb alebo iných ochrán a zabezpečení zariadenia alebo jeho častí alebo v dôsledku iných nepovolených zásahov do zariadenia, vykonaných v rozpore z používateľskou príručkou.

Nahlásenie opravy a pomoc v prípade poruchy

Ak je potrebné zariadenie opraviť, obráťte sa na autorizovaný servis. Kontaktné údaje servisu, vrátane kontaktného telefonného čísla, sú uvedené v záručnom liste. Pred tým, ako sa obrátite na servis, pripravte sériové číslo zariadenia, ktoré je uvedené na výrobnom štítku. Na uľahčenie ho prepíšte tu:

| | | | | | | | | | | | | | | | | | | | | |
|--|--|--|--|--|--|--|--|--|--|--|--|--|--|--|--|--|--|--|--|--|
| | | | | | | | | | | | | | | | | | | | | |
|--|--|--|--|--|--|--|--|--|--|--|--|--|--|--|--|--|--|--|--|--|

Vyhlásenie výrobcu

Výrobca týmto vyhlasuje, že výrobok spĺňa dôležité požiadavky nasledujúcich európskych smerníc:

- **Smernica pre nízke napätie 2014/35/EU**
- **Smernica elektromagnetickej kompatibility 2014/30/EU**
- **Smernica ErP - 2009/125/EC**
- **Smernica RoHS 2011/65/EU**

Zariadenie je označené symbolom  a má vyhlásenie o zhode na kontrolu príslušným orgánom dohľadu nad trhom.

Tisztelt Ügyfelünk

A mai naptól kezdve az Ön mindennapi teendői egyszerűbbek lettek mint valaha. A készülék **Amica** a könnyű használat és kiváló hatékonyság rendkívüli kombinációja A használati utasítás elolvasását követően Önnek nem okoz gondot a kezelése.

A készülék, mely elhagyta a gyárat, gondosan ellenőrizve lett a csomagolás előtt a biztonságot és funkcionalitást illetően.

Kérjük Önöket, hogy a készülék üzembe helyezése előtt figyelmesen olvassák el a használati utasítást. A használati utasításban foglaltak betartása segít megelőzni a helytelen üzemeltetést. A használati utasítást meg kell tartani és el kell rakni úgy, hogy szükség esetén kéz alatt legyen.

A balesetek elkerülése érdekében gondosan követni kell a használati utasításban foglaltakat.

Tisztelettel,

Amica

BIZTONSÁGI UTASÍTÁSOK

- A páraelszívót csak a jelen használati utasítás elolvasását követően lehet használni.
- A készüléket csakis háztartásbeli használatra tervezték.
- A gyártó fenntartja magának a jogot olyan újítások bevezetésére, melyek nem lesznek hatással a készülék használatára.
- A gyártó nem vállal felelősséget a készülék által okozott károkért illetve tüzesetekért, melyeket a jelen használati utasításban foglaltak be nem tartása okozott.
- A tűzhely feletti páraelszívó a konyhai gőzök elszívására használatos. Nem szabad más célra használni.
- Az elszívó üzemmódban dolgozó páraelszívót a megfelelő szellőző csatornához kell csatlakoztatni (nem szabad kéményhez, füstelvezető vagy égéstermék elvezető csatornához csatlakoztatni, amelyek használatban vannak). A páraelszívóhoz csatlakoztatni kell tömlőt, mely elvezeti a levegőt kívülre. A tömlő hossza (általában 120 mm illetve 150 mm Ø cső) nem haladhatja meg a 4-5 m-t. A légelvezető tömlő szintén szükséges a teleszkópos és a bútorba beépített, keringtető üzemmódban üzemelő páraelszívónál.
- A keringtető üzemmódban üzemelő páraelszívóknál aktív széntartalmú szűrő felszerelése szükséges. Ebben az esetben nincs szükség levegő elvezető cső felszerelésére, viszont ajánlott a levegő kivezető kémény felszerelése (csak a kéményes páraelszívóknál).
- A páraelszívó független világítással és elszívó ventilátorral rendelkezik, mely különböző sebességfokozatokra állítható.

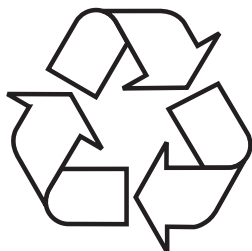
- A készülék verziójától függően, a páraelszívót egy függőleges falra kell szerelni a gáz- illetve elektromos tűzhely fölé (kéményes és univerzális páraelszívók); a gáz- illetve elektromos tűzhely fölött lévő mennyezetre (sziget páraelszívók); egy függőleges falra a gáz- illetve elektromos tűzhely fölött, beépítve egy konyhabútorba (teleszkópos és bútorokba beépített páraelszívók). Mielőtt elkezdené a felszerelést, győződjön meg arról, hogy a fal / mennyezet szerkezete elbírja a páraelszívó súlyát. A páraelszívó néhány modellje igen nehéz.
- Az elektromos tűzhely fölötti telepítési magasság a készülék termék adatlapján található (a készülék műszaki specifikációja). Ha a gáztűzhely használati utasításában nagyobb távolságok lettek előírva, akkor ezeket kell figyelembe venni (1 rajz)
- A páraelszívó alatt tilos a nyílt láng használata. Amikor levesszük az edényt a tűzhelyről, állítsuk a lángot minimumra. Mindig ellenőrizzük, hogy a lángok nem csapnak-e a ki az edény alól, mivel ez energiavesztést és veszélyes hő koncentrációt okozhat.
- Ha olajat használunk a sütéshez a páraelszívó alatt, az üzemeltetés teljes időtartama alatt tartsa szemmel az ételt, ugyanis a túlmelegedett olaj tüzet okozhat.
- Mielőtt kicserélnénk a zsírszűrő betéteket illetve minden javítás, karbantartás előtt áramtalanítsuk a készüléket kihúzva a dugót a konnektorból.
- A zsírszűrő betéteket legalább havonta meg kell tisztítani. A zsírral szennyezett zsírszűrő betétek könnyen lángra lobbanhatnak.
- Ha a helyiségben, ahol a páraelszívó üzemel, más nem elektromos készüléket is használunk (mint pl. a olajkemence, átfolyós vízmelegítő, bojler) biztosítani kell a jó szellőzést (levegőátfolyás). A biztonságos használat akkor lehetséges, ha a páraelszívó és a többi készülék egyszerre való

használatánál, ott, ahol a készülékek el vannak helyezve, a légnyomás nem haladja meg 0,004 milibart (ez a pont érvényét veszti amikor a keringtető üzemmódban használjuk a páraelszívót)

- Nem szabad a páraelszívóra támaszkodni.
- A páraelszívót gyakran meg kell tisztítani, mind kívülről, mind pedig belülről (LEGALÁBB HAVONTA EGYSZER, a jelen használati utasításban foglalt karbantartási útmutatók betartásával). A páraelszívó tisztítására és a szűrők cseréjére irányuló utasítások be nem tartása tűzveszélyt okozhat.
- Ha a csatlakozó kábel megsérül, ki kell cserélni egy erre hivatott szakszervizben.
- Biztosítani kell a készülék kikapcsolhatóságát az áramforrásból, a csatlakozó dugó kihúzása illetve a kétpólusú megszakító gomb megnyomása által.
- Ezt a készüléket nem használhatják olyan személyek (többek között gyerekek) akik csökkent fizikai, érzékszervi vagy értelmi képességűek, vagy hiányzik a megfelelő tapasztalatuk vagy a tudásuk, hacsak nem felügyeli őket egy a biztonságukért felelős személy, aki a használati utasítás alapján útmutatókkal látja el őket.
- Különösen arra kell ügyelni, hogy a felügyelet nélkül maradt gyerekek ne játszhassanak a készülékkel.
- Győződjünk meg arról, hogy a készülék belsejében található típuscímkén feltüntetett hálózati feszültség és csatlakozó értékek megegyeznek-e a lakásban található értékekkel.
- A szerelési munkálatok megkezdése előtt tekerjük ki és egyenesítsük ki a csatlakozókábelt.
- A csomagolóanyagokat (polietilén zacskók, polisztírol stb.) a kicsomagolás közben tartsuk távol a gyerekektől.
- Mielőtt a készüléket a hálózatra csatlakoztatná, mindig ellenőrizze, hogy a tápkábel megfelelően van-e telepítve, és hogy NEM szorult-e be a páraelszívó alá az összeszerelési műveleteket során. Ne csatlakoztassa a készüléket az elektromos hálózatra a telepítés befejezése előtt.

- Tilos a páraelszívó használata ha nincs rá felszerelve az alumínium zsírszűrő.
- Szigorúan tilos a páraelszívó alatt a nyílt láng használata (flambrózás).
- Az égéstermék elvezetésével kapcsolatos biztonsági és műszaki követelmények alkalmazásánál szigorúan be kell tartani az illetékes helyi hatóságok rendelkezéseit.
- A csavarok illetve egyéb rögzítő elemek nem megfelelő – vagyis a jelen használati utasítással nem egyező - meghúzása és telepítése veszélyt jelenthet az emberi egészségre és életre.
- A jelölő páraelszívók csakis keringtető üzemmódban üzemelnek.
- FIGYELEM! A csavarok és rögzítő elemeknek nem az útmutató szerinti felhelyezése áramütés-veszélyt okozhat.
- Ezt a készüléket a nyolc éves korú illetve annál idősebb gyerekek, csökkent fizikai, érzékelési vagy szellemi képességekkel rendelkező személyek, olyan személyek, akiknek a szükséges tapasztalatuk, tudásuk hiányzik, csak akkor használhatják, ha egy, az ő biztonságukért felelős személy felvilágosította őket a készülék biztonságos használatáról illetve felügyeli őket a készülék használata során, s ők tisztában vannak az esetleges veszélytípusokkal. Gyerekek nem játszhatnak a készülékkel. A készülék karbantartását és tisztítását nem végezhetik el gyerekek, kivéve, ha betöltötték nyolcadik életévüket, s felnőtt felügyeli őket.

KICSOMAGOLÁS



A készülék a szállítás idejére megfelelő módon be lett csomagolva a biztonság érdekében. Miután kicsomagoltuk a készüléket, a csomagolást környezetkímélő módon kell eltakarítani.

Az összes csomagolóanyag a környezet számára ártalmatlan, 100% újrahasználatos és megfelelő jelekkel van

ellátva.

Figyelem! A csomagolóanyagokat (polietilén zacskók, polisztirol stb.) a kicsomagolás közben tartsuk távol a gyerekektől.

A HASZNÁLT KÉSZÜLÉKEK ELTÁVOLÍTÁSA



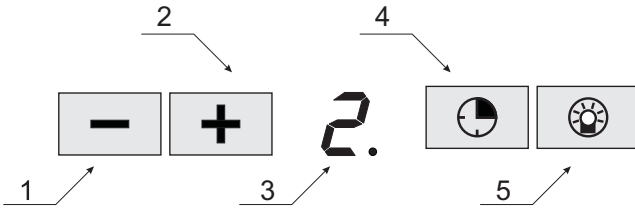
Ez a készülék el lett látva az 2012/19/EU direktívával. Ez a jelzés arról tájékoztat, hogy a készülék, miután használata befejeződött, nem kerülhet a szemétkosárba az összes többi házi hulladékkal együtt.

A felhasználó köteles az elhasznált készüléket egy elektronikus és elektromos hulladékgyűjtő pontban leadni. A hulladékgyűjtő pontok, többek között a lokális pontok, a boltok, az önkormányzati szervezetek egy rendszert alkotnak, mely lehetővé teszi a hulladék leadását. Az elektronikus és elektromos hulladékkal való megfelelő bánásmód segít megelőzni az emberi egészségre és környezetre káros mellékhatásokat, melyeket a hulladékkal való nem megfelelő bánásmód és a hulladékban található veszélyes anyagok okozhatnak.

HASZNÁLAT

Páraelszívó vezérlése

A páraelszívó irányítópanelje a 4 rajzon látható, de emlékeztetőül alább is bemutatjuk:



Irányítópanel

Ez egy érintőszennorral van felszerelve. A kívánt funkció bekapcsolása céljából meg kell érinteni az egyik alábbi mezőt:






- 1- Egy fokkal csökkenti a motor sebességét
- 2- Egy fokkal növeli a motor sebességét
- 3- A kijelző mutatja a beállított sebességet. A páraelszívó 3 illetve 4 sebességfokozattal rendelkezik (modelltől függően).
- 4- A páraelszívó késleltetett kikapcsolás funkciója (Timer)
- 5- A világítás be- illetve kikapcsolása. A világítás függetlenül működik a páraelszívó motorjától.




A beállítható sebességfokozatok:

- Legalacsonyabb sebességfokozat (1). Ezt a sebességfokozatot kis-mennyiségű gőznél használja.
- Közepes sebességfokozatok (2 és 3*). Ezt a sebességfokozatot közepes mennyiségű gőznél használja, pl. amikor több ételt főz egyszerre.
- Legmagasabb sebességfokozat (4*). Ezt a sebességfokozatot nagy-mennyiségű gőznél használja, pl. sütés, illetve grillezés során.

* Modelltől függően

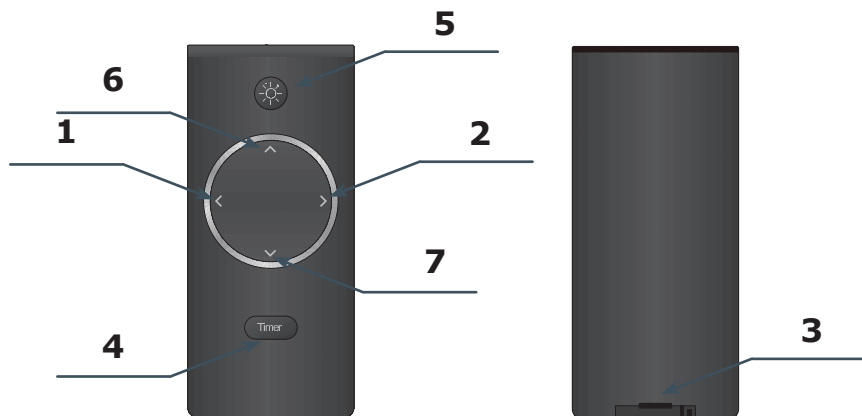
Timer (a páraelszívó motorjának késleltetett kikapcsolása)

Ez a funkció a páraelszívó motorjának késleltetett kikapcsolására szolgál. Ezt a funkciót a főzés befejeését követően használhatja a helyiség gőztelenítésére. A maximális késleltetési idő 90 perc. E funkció bekapcsolása céljából bármely sebességfokozaton érintse meg a  szenzort. A kijelzőn pulzálni fog a  számjegy. Majd pedig a  és a  szenzorok segítségével állítsa be az időt az 1-9 tartományban (minden szint 10 percet jelent, például a 2 számjegy 20 perces késleltetést eredményez, s az 5-ös számjegynél a késleltetés 50 perces lesz stb.). Ismételten érintse meg a  szenzort hogy aktiválja a funkciót. A kikapcsolási

késleltetési idő helyes beállítását villogó pont jelzi a kijelzőn található számjegynél. A késleltetési funkció idő előtti kikapcsolásához érintse meg a  szenzort. Majd pedig a  szenzorral a késleltetési időt csökkentse a nullára. A páraelszívó késleltetett kikapcsolási funkciójának kikapcsolását hagyja jóvá a  szenzorral. A páraelszívó késleltetett kikapcsolási funkciója nem kapcsolja ki a páraelszívó világítását.

Távírányító

A páraelszívó kellékét képezi egy távirányító, melyet a 4a ábrán ábrázoltunk, de emlékeztetőül alább is bemutatjuk:



A páraelszívót a távirányítóval is lehet vezérelni. E célból a távirányítót fordítsa a páraelszívó felé és válassza ki a megfelelő funkciót:

- 1- Egy fokozattal csökkenti a sebességet
- 2- Egy fokozattal növeli a sebességet
- 3- Elemtartó tálca
- 4- A páraelszívó motorjának késleltetett kikapcsolása (Timer)- a funkció leírása az előző oldalon található
- 5- A világítás be- illetve kikapcsolása. A világítás működése független a beállított sebességfokozattól.
- 6- Növeli a fényerősséget
- 7- Csökkenti a fényerősséget

A távirányítót gyárilag nem szereltük fel elemmel. Ezt egy megfelelő kiskereskedelmi üzletben kell megvásárolni- CR2032 3V elem (egy példány).

Az elem cseréjének céljából húzza ki az elemtartó tálcát (3-as pozíció a rajzon) mely a távirányító alsó szélénél található. Tegye be az elemet ügyelve a polaritásjelzésre. Tolja vissza az elemtartó tálcát.

Figyelem! A távirányító és az érzékelő között nem szabad semmilyen akadálynak lennie. A fénycsövek fénye megzavarhatja a távvezérlő és a páraelszívó közötti kommunikációt.

A páraelszívó működésével kapcsolatos egyéb fontos információk

Keringtető üzemmódban való működés: Ebben az üzemmódban a szűrt levegő az erre a célra kialakított nyílásokon keresztül visszatér a helyiségbe. Ebben a beállításban egy szenszűrőt kell felszerelni, és javasoljuk a légfűvő felszerelését (a rendelkezésre állás függ a modelltől, főként kéményes páraelszívóknál kapható).

Elszívó üzemmódban való működés: Az elszívó üzemmódban történő használatnál a levegő a kültérbe van elvezetve egy speciális cső segítségével. Ennél az üzemmódnál el kell távolítani a szenszűrőt. A páraelszívó a levegő elvezető nyíláshoz egy speciális, merev vagy flexibilis 150 mm, illetve 120 mm átmérőjű cső és megfelelő rögzítő elemek segítségével van csatlakoztatva, melyeket az efféle áruk forgalmazásával foglalkozó üzletekben lehet megvásárolni. A telepítést szakképzett szakemberre kell bízni.

A ventilátor sebessége: A legalacsonyabb és a középső sebességfokozatot normális körülmények között és kisméretű gőz kibocsátásnál kell használni, míg a legnagyobb sebességfokozatot a gőzök nagy koncentrációjánál kell használni, mint pl. sütés közben, illetve grillezésnél.

Figyelem (csak az univerzális páraelszívókra vonatkozik): Az univerzális páraelszívók szerkezete manuális üzemmód átállítást igényel. Az üzemmód megváltoztatásának módját a 8. ábra szemlélteti.

Figyelem (csak a beépíthető és teleszkópos páraelszívókra vonatkozik): A bútorba beépített és a teleszkópos páraelszívóknál keringtető üzemmódban levegő elvezető cső felszerelése szükséges. A cső másik végét a helyiségre kell irányítani, ezen keresztül áramlik majd a megszűrt levegő.

Figyelem: A felfüggesztett páraelszívók csak elszívó üzemmódban üzemelnek.

TISZTÍTÁS ÉS KARBANTARTÁS

Karbantartás

A rendszeres karbantartás és tisztítás megfelelő és hibamentes működést, valamint hosszabb élettartamot biztosít a páraelszívónak. Különös figyelmet kell fordítani arra, hogy a zsírszűrő és az aktív szénoszűrő a gyártó utasításainak megfelelően legyen tisztítva és kerüljön kicserélésre.

- Ne használjon nedves rongyot, illetve szivacsot vagy pedig folyóvizet.
- Ne használjon oldószert, illetve alkoholt, ugyanis ezek károsíthatják a festett felületeket.
- Ne használjon maró hatású anyagokat, különösen a rozsdamentes felületek tisztítására.
- Ne használjon kemény, durva rongyot
- Tisztításnál nem invazív hatású szereket és enyhén vizes törlőkendőt ajánlatos használni.

Figyelem: Többszöri, a mosogatógépben történő tisztítást követően az alumínium szűrő színe megváltozhat. A színváltozás nem jelent meghibásodást illetve nincs szükség a szűrő kicserélésére.

Zsírszűrő

A zsírszűrőt a páraelszívó normális módon történő használatánál havonta kell tisztítani, mosogatógépben illetve kézi mosogatás által, enyhe hatású mosogatószer illetve folyékony szappan segítségével.

A zsírszűrő leszerelésének módja az 5. rajzon látható.

Néhány modellnél akril szűrő van alapfelszereltségen. Ezt legalább kéthavonta egyszer kell cserélni, illetve gyakrabban, ha a páraelszívót intenzíven használja.

Szénoszűrő

A szénoszűrőket csak akkor használjuk, amikor a páraelszívót nem csatlakoztattuk a szellőző rendszerhez. Az aktív szén tartalmazó szűrő magába szívja a főzés közben keletkező szagokat, egészen amíg meg nem telik. Nem lehet a szűrőt megtisztítani illetve újrahasználni, ezért legalább 3-4 havonta kéthavonta ki kell cserélni, ha intenzíven használjuk a páraelszívót, akkor gyakrabban.

A szénoszűrő kicserélésének módját a 6. rajz mutatja.

Világítás

Csak olyan paraméterű izzókat / halogén lámpákat / diódos modulokat szabad használni, mint amilyenek a gyárilag felszereltek voltak. A világítás kicserélésének módját a 7. rajz mutatja. Ha a használati utasításban nem található az ezt bemutató rajz, akkor a világító modul cseréjét csak a szakszervizben lehet elvégezni.

GARANCIA ÉS VÁSÁRLÁS UTÁNI SZERVIZ

Garancia

Garanciális szolgáltatás a garanciajegy alapján A gyártó nem felelős a készülék helytelen használat okozta károkért.

Szerviz

- A készülék gyártója azt javasolja, hogy az összes javítási, illetve karbantartási tevékenységet a Gyári Szakszerviz illetve a Gyártó Márkaszervize végezze el. Biztonsági okokból Ön saját maga ne javítsa a készüléket.
- A nem megfelelő képesítéssel rendelkező személyek által végzett javítások súlyos veszélyt jelenthetnek az eszköz felhasználója számára.
- A gyártó, az importőr vagy a meghatalmazott forgalmazó által felkínált eszköz minimális jótállási idejét a garanciajegy tartalmazza.
- A készülék elveszíti a jótállást a készülék vagy annak részein végzett illetéktelen átalakítások, javítások, a plómbak felszakítása, valamint a készüléken történő bármely másfajta, a használati utasításnak nem megfelelő tetszőleges beavatkozás eredményeként.

Javítási igény és segítségnyújtás hiba esetén

Ha az eszköz javítását igényli, vegye fel a kapcsolatot a szervizközponttal. A szerviz címe és telefonszáma a jótállási kártyán található. Mielőtt kapcsolatba lépne, készítse elő a készülék sorozatszámát, mely az adattáblán található: A kényelem érdekében írja ide le:

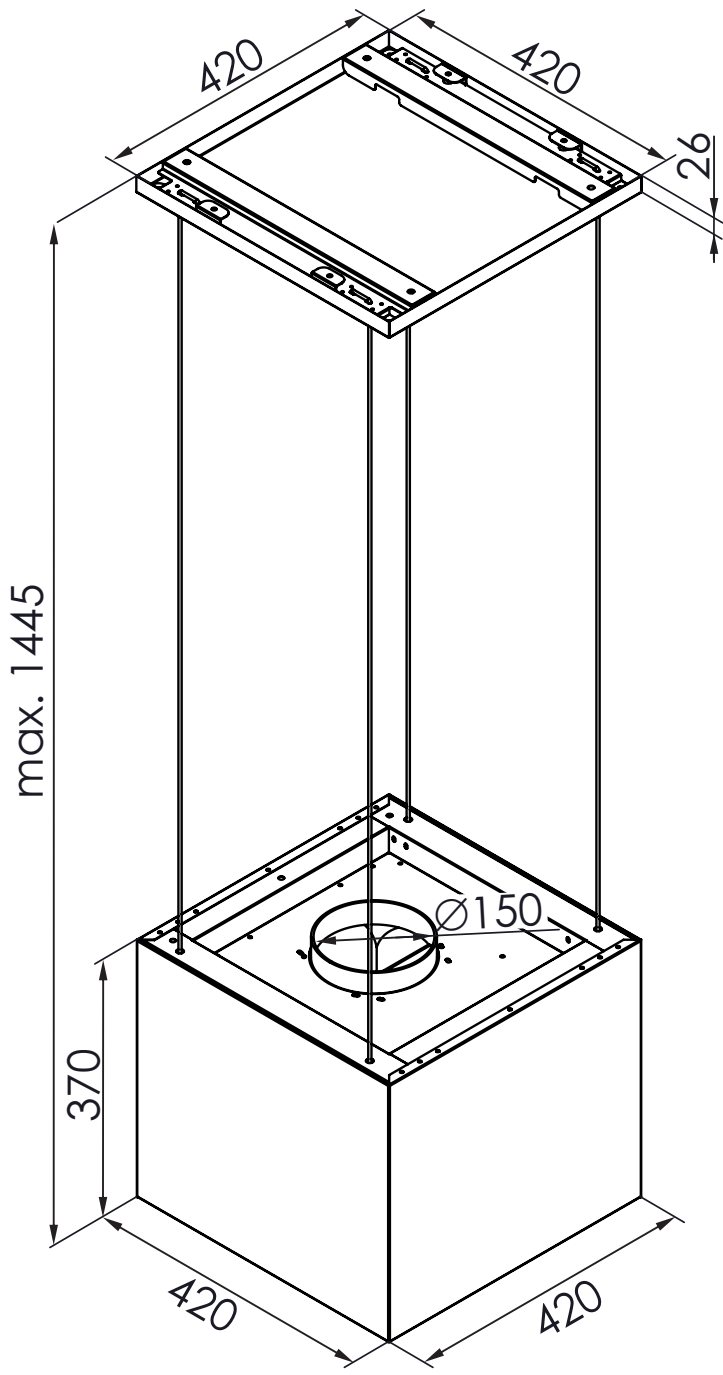
| | | | | | | | | | | | | | | | | | | | |
|--|--|--|--|--|--|--|--|--|--|--|--|--|--|--|--|--|--|--|--|
| | | | | | | | | | | | | | | | | | | | |
|--|--|--|--|--|--|--|--|--|--|--|--|--|--|--|--|--|--|--|--|

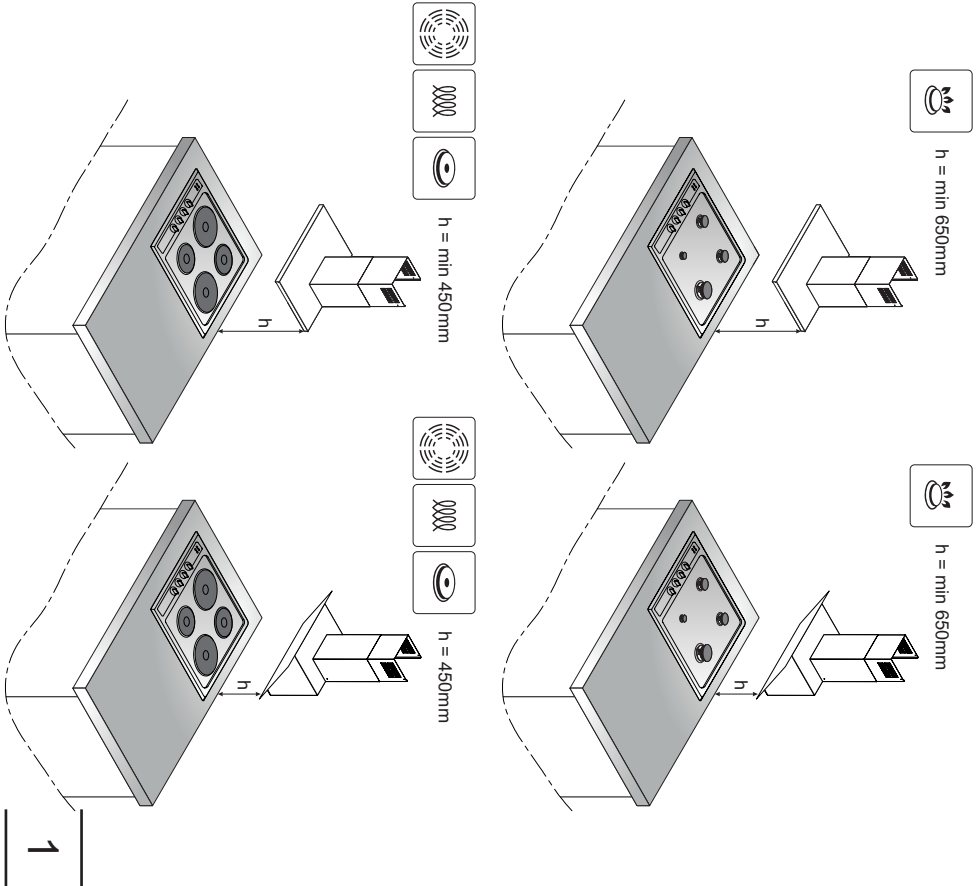
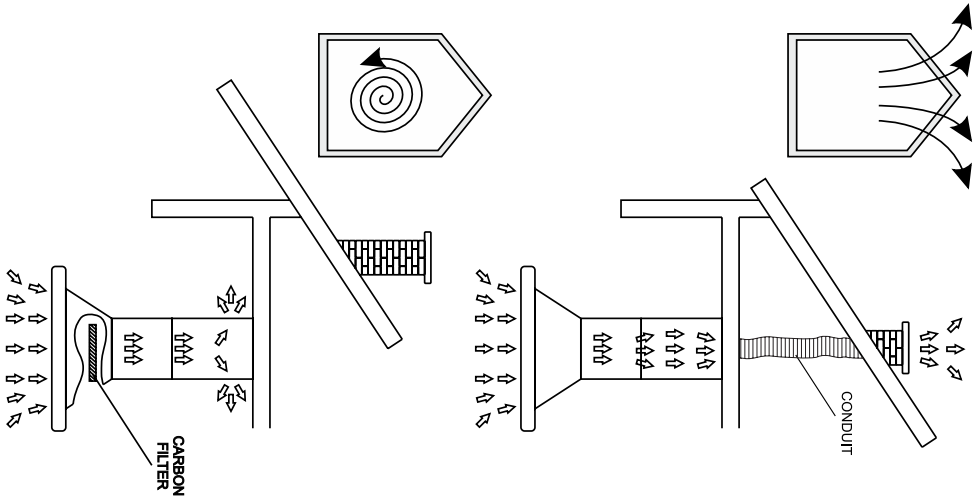
A gyártó nyilatkozata

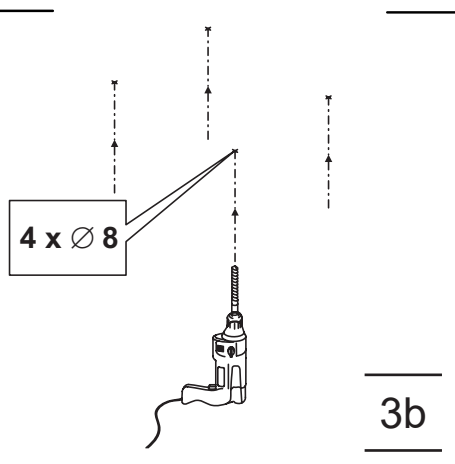
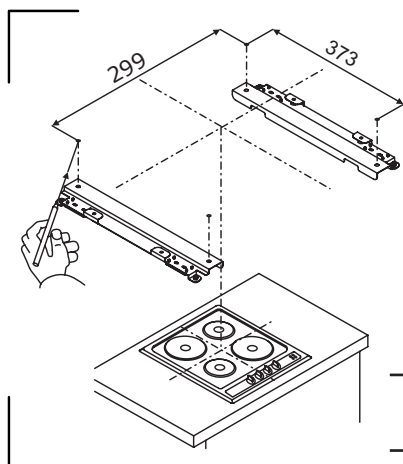
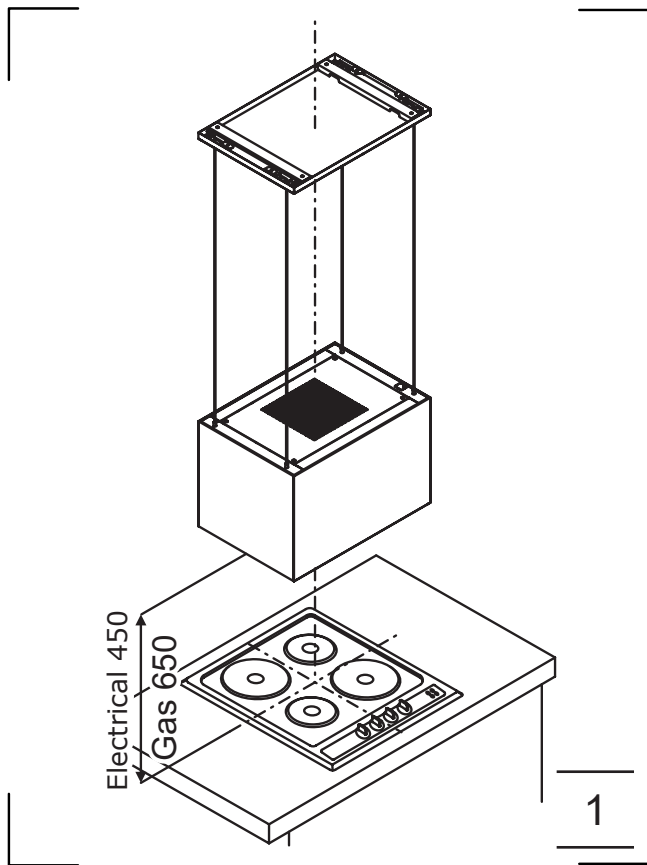
A gyártó ezennel kijelenti, hogy a termék megfelel a következő EU direktíváknak:

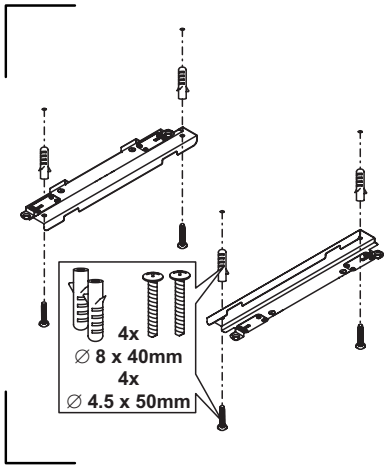
- **2014/35/EC Alacsony feszültségű direktíva**
- **2014/30/EC Elektromágneses kompatibilitás direktíva**
- **2009/125/EC**
- **RoHS 2011/65/EC**

A berendezés **CE** jelzéssel van ellátva, és megfelelőségi nyilatkozattal rendelkezik az illetékes piacfelügyeleti hatóság általi ellenőrzésre.

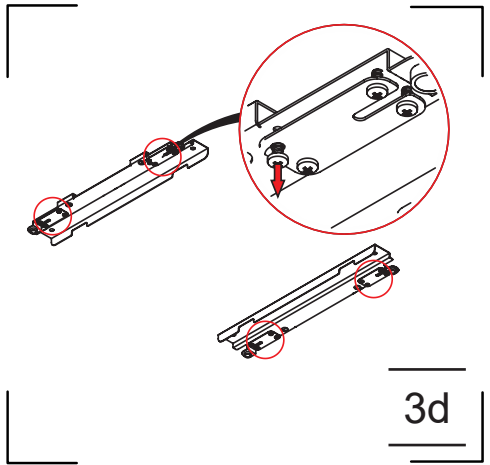




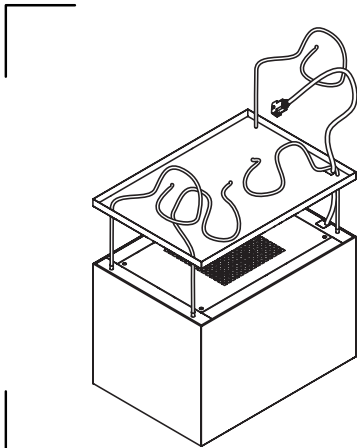




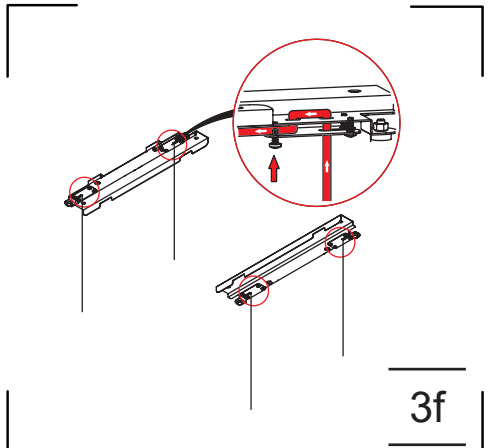
3c



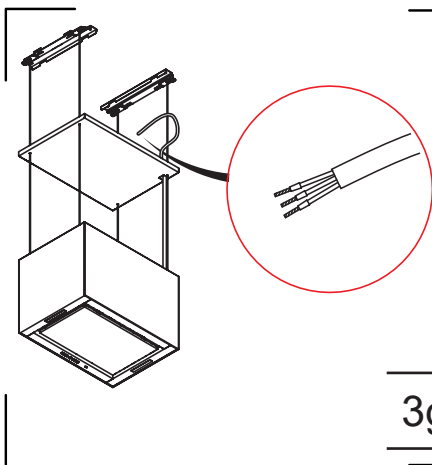
3d



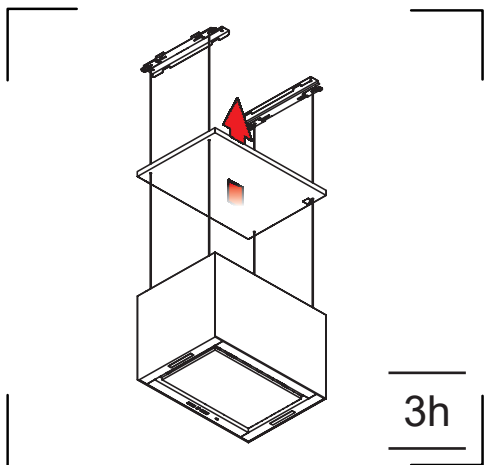
3e



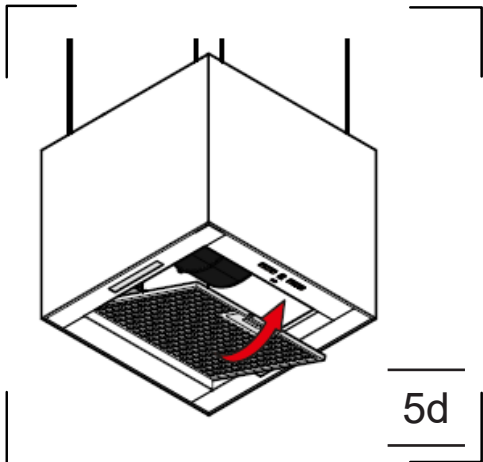
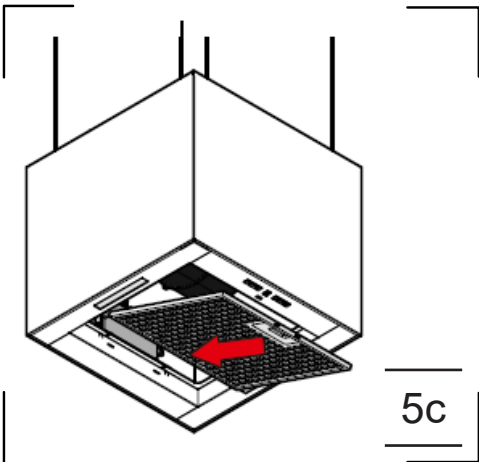
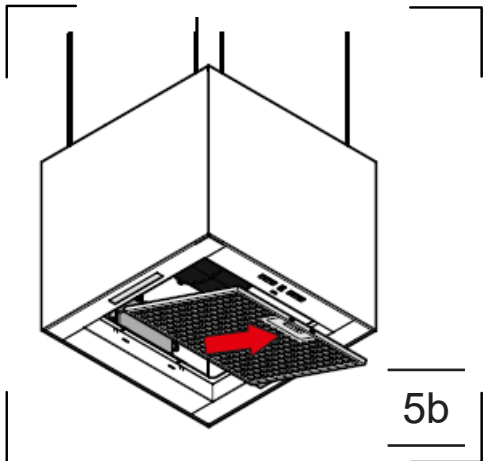
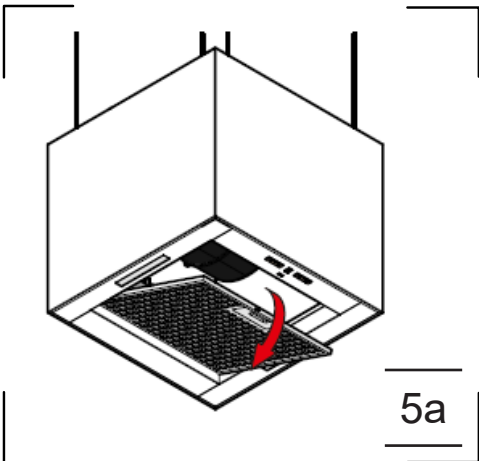
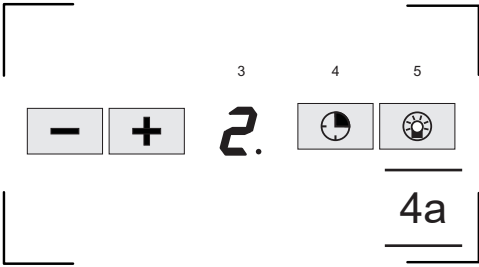
3f

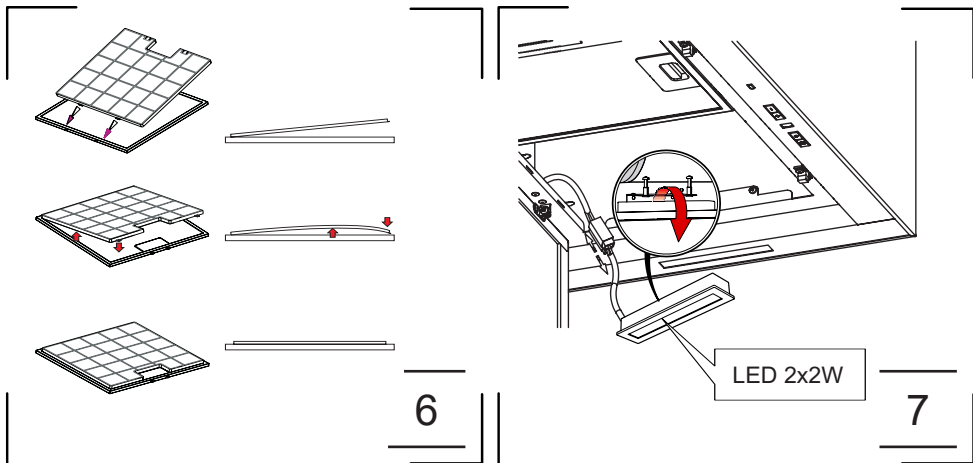


3g



3h





Amica S.A.
ul . Mickiewicza 52 / 64-510 Wronki
tel. 67 25 46 100 / fax 67 25 40 320
www.amica.pl

Amica International GmbH
Lüdinghauser Str. 52
D-59387 Ascheberg
Tel: 0 25 93 - 95 67-0
www.amica-group.de